



# Success Story

ICONICS · 100 Foxborough Blvd. · Foxborough, MA 02035 · 508.543.8600 · www.iconics.com

**Industry: FDA Pharmaceutical**



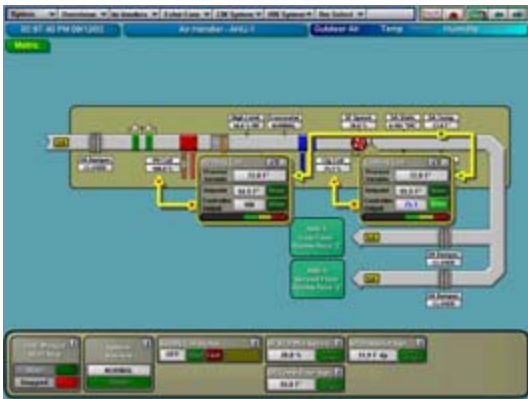
PRECISION CONTROL FOR CRITICAL ENVIRONMENTS  
**VOLTEC**



c-inc.com

**Customer: Voltec, Inc.**  
Duquesne, PA

Voltec is a leader in the design and manufacture of specialized turnkey industrial digital control systems specifically designed for today's most demanding HVAC control applications. Voltec is dedicated to serving the mission-critical needs of pharmaceutical, biotechnology, and other cGMP manufacturing environments, as well as other critical control applications. The corporate headquarters is located in Pittsburgh, PA with branch offices in Hillsborough, NJ and Pembroke, FL.



**Machine Control View Screen**

## ICONICS' Software Deployed

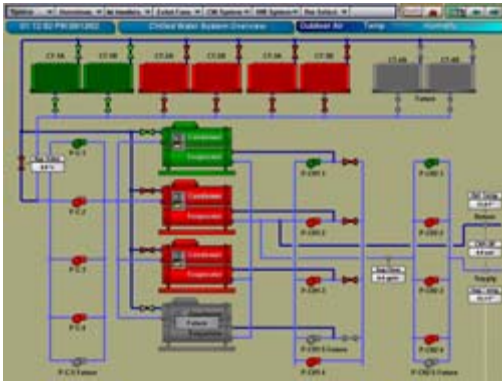
Voltec implemented ICONICS' GENESIS32™ software (GraphWorX32™, TrendWorX32™, and AlarmWorX32™) into their digital control systems. Incorporating ICONICS' software enables Voltec's systems to be easily validated and FDA 21 CFR Part 11 compliant. ICONICS' software replaced Voltec's previously implemented proprietary, non-OPC compliant software.

## Key Features

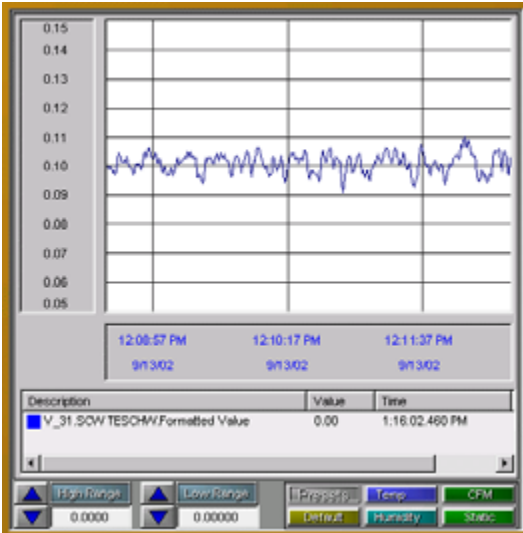
Today's pharmaceutical manufacturers are faced with more challenging criteria than ever before. They include stringent regulatory requirements, i.e., FDA and cGMP, as well as fast-track project schedules. To help their clients meet these demands, Voltec implemented a rock-solid and flexible trend and chart system. ICONICS' TrendWorX32™ enables users to create charts from standard graphical screens by dragging points dynamically onto the trend while in run mode. This set of graphic design tools allows users to easily create symbols and displays that make up the graphical user interface (GUI) for the Voltec system. Using the animation feature provides Voltec's customers with various and effective ways to trend and chart the status of their operation.



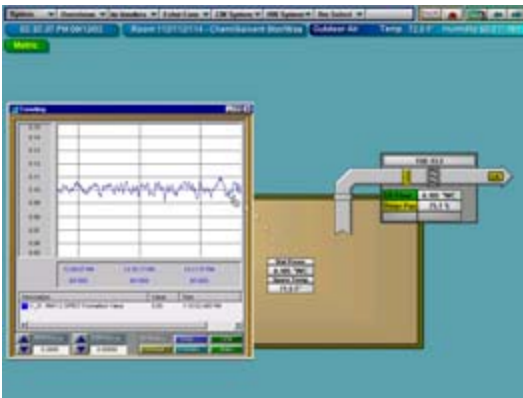
**Alarm Monitoring View Screen**



**Machine Control View Screen**



**Trending View Screen**



**Trending and System Status View Screen**

## Quotes from Their Customers

“The Voltec system along with the monitoring and controlling software of ICONICS have proven to be valuable assets in my first experience with the reliability and accuracy that it provides, and I look forward to managing another facility utilizing your system.”

**Thomas J. Higgins, Wyeth**

“The Voltec controller and the monitoring and control software of ICONICS have been virtually trouble-free. There has never been a day when production had to be stopped due to failure.”

**George Allen, Pfizer Inc.**

“We have been very happy with Voltec’s engineered control system utilizing ICONICS’ software. It has consistently delivered the precision control and reporting documentation that our aseptic filling operations demand.”

**Kirit Rokad, Wyeth**

“The project experience of Voltec’s staff and control software were instrumental in our timely start-up of the system. Since then, the control system and ICONICS’ software have been very reliable, providing us with excellent performance. Our manufacturing process relies heavily on the precise execution and status reporting of the control system. The system has met all of our expectations.”

**Ed Carlidge, PE, R.P. Scherer**

## Reporting & System Benefits

The controls market has changed over the past few years creating an ever growing demand for open, standardized and reliable software systems. After researching other software tools on the market, Voltec selected ICONICS’ GENESIS32™. This OPC based software provides a non-proprietary, graphical front-end solution with unparalleled integration and a proven guaranteed migration path. ICONICS’ GENESIS32™ has met and exceeded all of Voltec’s graphical software requirements.

## Conclusion

ICONICS worked closely with Voltec throughout their software integration, assuring another successful ICONICS’ GENESIS32™ application. Voltec participates in ICONICS’ SupportWorX maintenance program to keep their software updated and for access to ICONICS’ technical support personnel, as needed.