

smar  
First in Fieldbus

- **FIELDBUS**

MAR / 05



# FUNCTION BLOCKS INSTRUCTION MANUAL



# FOUNDATION



# smar

**web: [www.smar.com](http://www.smar.com)**

**Specifications and information are subject to change without notice.  
For the latest updates, please visit the SMAR website above.**

## **BRAZIL**

**Smar Equipamentos Ind. Ltda.**  
Rua Dr. Antonio Furlan Jr., 1028  
Sertãozinho SP 14170-480  
Tel.: +55 16 3946-3510  
Fax: +55 16 3946-3554  
e-mail: insales@smar.com.br

## **GERMANY**

**Smar GmbH**  
Rheingaustrasse 9  
55545 Bad Kreuznach  
Germany  
Tel: + 49 671-794680  
Fax: + 49 671-7946829  
e-mail: infoservice@smar.de

## **USA**

**Smar International Corporation**  
6001 Stonington Street, Suite 100  
Houston, TX 77040  
Tel.: +1 713 849-2021  
Fax: +1 713 849-2022  
e-mail: sales@smar.com

## **CHINA**

**Smar China Corp.**  
3 Baishiqiao Road, Suite 30233  
Beijing 100873, P.R.C.  
Tel.: +86 10 6849-8643  
Fax: +86-10-6894-0898  
e-mail: info@smar.com.cn

## **MEXICO**

**Smar Mexico**  
Cerro de las Campanas #3 desp 119  
Col. San Andrés Atenco  
Tlalnepantla Edo. Del Méx - C.P. 54040  
Tel.: +53 78 46 00 al 02  
Fax: +53 78 46 03  
e-mail: ventas@smar.com

## **Smar Laboratories Corporation**

6001 Stonington Street, Suite 100  
Houston, TX 77040  
Tel.: +1 713 849-2021  
Fax: +1 713 849-2022  
e-mail: sales@smar.com

## **FRANCE**

**Smar France S. A. R. L.**  
42, rue du Pavé des Gardes  
F-92370 Chaville  
Tel.: +33 1 41 15-0220  
Fax: +33 1 41 15-0219  
e-mail: smar.am@wanadoo.fr

## **SINGAPORE**

**Smar Singapore Pte. Ltd.**  
315 Outram Road  
#06-07, Tan Boon Liat Building  
Singapore 169074  
Tel.: +65 6324-0182  
Fax: +65 6324-0183  
e-mail: info@smar.com.sg

## **Smar Research Corporation**

4250 Veterans Memorial Hwy. Suite 156  
Holbrook, NY 11741  
Tel: +1-631-737-3111  
Fax: +1-631-737-3892  
e-mail: sales@smarresearch.com

## **NETHERLANDS**

**Smar Nederland**  
De Oude Wereld 116  
2408TM Alphen aan den Rijn  
Tel: +31 172 494 922  
Fax: +31 172 479 888  
e-mail : info@smarnederland.nl

## **UNITED KINGDOM**

**Smar UK Ltd**  
3, Overhill Road - Cirencester  
Gloucestershire -  
GL7 2LG  
Tel: +44 (0)797 0094138  
Fax: +44 (0)797 4747502  
e-mail: info@smarUK.co.uk

## ***Introduction***

Fieldbus is not a replacement for 4-20 mA or Intelligent/Smart Transmitter Protocols, it provides much more. Fieldbus is a complete Control System Architecture enabling distribution of the control function to equipment in the field; therefore it is a replacement for the DCS Architecture of the 1970s.

To achieve the desired control the devices must be configured. That includes calibration but also building of a control strategy. The latter is covered in this manual.

One of the major advantages of Fieldbus is interoperability. Some blocks described in this manual are used not only by Smar devices, but other Foundation Fieldbus devices too. No particular configuration tool is addressed in this manual, because the devices are independent of configuration tool due to the DD technology.

Get the best results of the Fieldbus System by carefully reading these instructions.

This manual presents the necessary background knowledge to understand the programming language of Function Blocks diagram focusing on Foundation Fieldbus technology.

Besides that, it is explained in details blocks supported by the following devices:

- LD292/LD302
- TT302
- IF302
- TP302
- FY302
- FP302
- FI302
- FB-700
- DC302
- DFI302
- HI302 (all types)
- DT302
- FR302

Other Smar devices, that are members of System302, may not be covered by this manual, because they have specific manuals.



# Table of Contents

|   |             |
|---|-------------|
| <b>Introduction</b> .....   | <b>III</b>  |
| <b>Table of Contents</b> .....                                      | <b>V</b>    |
| <b>Chapter 1 - Introduction to Function Block Application</b> ..... | <b>1.1</b>  |
| <b>OVERVIEW</b> .....   | <b>1.1</b>  |
| <b>FUNCTION BLOCK</b> .....   | <b>1.1</b>  |
| <b>TRANSDUCER BLOCK</b> .....                                       | <b>1.1</b>  |
| <b>RESOURCE BLOCK</b> .....   | <b>1.1</b>  |
| <b>FUNCTION BLOCK DEFINITIONS</b> .....                             | <b>1.1</b>  |
| <b>FUNCTION BLOCK LINKAGES</b> .....                                | <b>1.1</b>  |
| <b>LINK WITH FUNCTION BLOCK EXECUTING IN DFI302</b> .....           | <b>1.2</b>  |
| <b>INFORMATION ACCESS</b> .....                                     | <b>1.2</b>  |
| <b>FUNCTION BLOCK APPLICATION STRUCTURE</b> .....                   | <b>1.2</b>  |
| <b>BLOCK OBJECT</b> .....   | <b>1.2</b>  |
| <b>BLOCK PARAMETERS</b> .....                                       | <b>1.2</b>  |
| Parameter Identifiers.....  | 1.2         |
| Parameter Storage.....  | 1.3         |
| Parameter Usage.....  | 1.3         |
| Parameter Relationships.....  | 1.4         |
| Parameter Status.....   | 1.4         |
| <b>COMPOSITION OF STATUS</b> .....                                  | <b>1.5</b>  |
| <b>PROCESS VARIABLE CALCULATION</b> .....                           | <b>1.7</b>  |
| <b>SETPOINT CALCULATION</b> .....                                   | <b>1.7</b>  |
| <b>OUTPUT CALCULATION</b> .....                                     | <b>1.8</b>  |
| <b>CASCADE CONTROL</b> .....  | <b>1.8</b>  |
| <b>MODE PARAMETER</b> .....   | <b>1.10</b> |
| <b>SCALING PARAMETERS</b> .....                                     | <b>1.17</b> |
| <b>MODBUS SCALE CONVERSION</b> .....                                | <b>1.18</b> |
| <b>FAULT STATE HANDLING</b> .....                                   | <b>1.20</b> |
| <b>FAULT STATE ACTIVE</b> .....                                     | <b>1.21</b> |
| <b>ALARMS AND EVENTS – ALERT PROCESSING</b> .....                   | <b>1.23</b> |
| <b>SIMULATION</b> .....   | <b>1.29</b> |
| <b>CHANNEL CONFIGURATION</b> .....                                  | <b>1.30</b> |
| <b>BLOCK INSTANTIATION</b> .....                                    | <b>1.31</b> |
| <b>ORDER OF PARAMETERS DURING DOWNLOAD</b> .....                    | <b>1.31</b> |
| <b>DATA TYPE AND DATA STRUCTURE DEFINITION</b> .....                | <b>1.32</b> |
| Block Structure – DS-64.....  | 1.32        |
| Value & Status - Floating Point Structure – DS-65.....              | 1.33        |
| Value & Status - Discrete Structure – DS-66.....                    | 1.33        |
| Scaling Structure – DS-68.....                                      | 1.33        |
| Mode Structure – DS-69.....   | 1.33        |
| Access Permissions – DS-70.....                                     | 1.33        |
| Alarm Float Structure – DS-71.....                                  | 1.34        |
| Alarm Discrete Structure – DS-72.....                               | 1.34        |
| Event Update Structure – DS-73.....                                 | 1.34        |
| Alarm Summary Structure – DS-74.....                                | 1.34        |
| Simulate - Floating Point Structure – DS-82.....                    | 1.34        |
| Simulate - Discrete Structure – DS-83.....                          | 1.35        |
| Test Structure – DS-85.....   | 1.35        |
| Discrete Structure – DS-159.....                                    | 1.35        |
| Discrete Structure – DS-160.....                                    | 1.36        |
| <b>MANUFACTURER SPECIFIC DATA STRUCTURE</b> .....                   | <b>1.36</b> |
| Scaling Conversion Structure - DS-256.....                          | 1.36        |
| Scaling Conversion Structure with Status - DS-257.....              | 1.37        |
| Scaling Locator Structure - DS-258.....                             | 1.37        |
| Scaling Locator Structure with Status- DS-259.....                  | 1.37        |
| Modbus Variable Locator Structure - DS-260.....                     | 1.38        |
| Modbus Variable Locator Structure with Status- DS-261.....          | 1.38        |

|  |              |
|--|--------------|
| FF Parameter ID Structure - DS-262.....                                  | 1.38         |
| Slave Address Structure - DS-263.....                                    | 1.39         |
| <b>Chapter 2 - Block Library .....</b>                                   | <b>2.1</b>   |
| <b>DESCRIPTION OF BLOCK TYPES .....</b>                                  | <b>2.1</b>   |
| <b>BLOCK TYPE AVAILABILITY AND INITIAL BLOCK SET .....</b>               | <b>2.4</b>   |
| <b>RESOURCE .....</b>  | <b>2.6</b>   |
| RS – Resource Block.....   | 2.6          |
| <b>TRANSDUCER BLOCKS.....</b>  | <b>2.10</b>  |
| DIAG – Diagnostics Transducer Block .....                                | 2.10         |
| DSP - Display Transducer .....   | 2.12         |
| HC – Hardware Configuration Transducer .....                             | 2.13         |
| IDShell Transducer Block.....  | 2.16         |
| <b>INPUT TRANSDUCER BLOCKS .....</b>                                     | <b>2.27</b>  |
| LD292 / LD302 - Pressure Transducer.....                                 | 2.27         |
| DT302 - Concentration/Density Transmitter .....                          | 2.30         |
| TT302 - Temperature Transducer.....                                      | 2.35         |
| IF302 - Current Fieldbus Transducer .....                                | 2.38         |
| TP302 – Position Fieldbus Transducer .....                               | 2.40         |
| TEMP – DF-45 Temperature Transducer .....                                | 2.42         |
| <b>INPUT FUNCTION BLOCKS.....</b>  | <b>2.46</b>  |
| AI - Analog Input.....   | 2.46         |
| DI - Discrete Input .....  | 2.50         |
| MAI - Multiple Analog Input .....  | 2.53         |
| MDI - Multiple Discrete Input .....                                      | 2.55         |
| PUL – Pulse Input.....   | 2.57         |
| <b>CONTROL AND CALCULATION FUNCTION BLOCKS .....</b>                     | <b>2.62</b>  |
| PID/EPID - PID Control/Enhanced PID Control .....                        | 2.62         |
| APID – Advanced Pid.....   | 2.71         |
| ARTH - Arithmetic.....   | 2.77         |
| SPLT-Splitter .....  | 2.83         |
| CHAR - Signal Characterizer.....   | 2.87         |
| INTG - Integrator.....   | 2.91         |
| AALM - Analog Alarm.....   | 2.98         |
| ISEL - Input Selector.....   | 2.104        |
| SPG/ESPG - Setpoint Ramp Generator/Enhanced Setpoint Ramp Generator..... | 2.107        |
| ESPG – Enhanced Setpoint Ramp Generator .....                            | 2.113        |
| TIME – Timer and Logic.....  | 2.114        |
| LLAG - Lead Lag .....  | 2.122        |
| OSDL - Output Signal Selector and Dynamic Limiter .....                  | 2.124        |
| DENS - Density .....   | 2.129        |
| CT – Constant .....  | 2.133        |
| FFET - Flip-Flop and Edge Trigger .....                                  | 2.139        |
| AEQU – Advanced Equations.....   | 2.141        |
| PRED – Smith Predictor.....  | 2.143        |
| TF – Transfer Function.....  | 2.145        |
| LCF – Liquid Correction Factors.....                                     | 2.147        |
| CCF Calculation.....   | 2.147        |
| BSW Calculation– Dual range .....  | 2.149        |
| BSW Calculation – Lab analysis.....                                      | 2.150        |
| <b>MODBUS FUNCTION BLOCKS.....</b>                                       | <b>2.154</b> |
| MBCF – ModBus Configuration .....  | 2.154        |
| MBCS – ModBus Control Slave.....   | 2.156        |
| MBSS – ModBus Supervision Slave .....                                    | 2.160        |
| MBCM – ModBus Control Master .....                                       | 2.164        |
| MBSM – ModBus Supervision Master.....                                    | 2.169        |
| <b>OUTPUT FUNCTION BLOCKS.....</b>                                       | <b>2.173</b> |
| AO - Analog Output.....  | 2.173        |
| DO - Discrete Output.....  | 2.177        |
| MAO - Multiple Analog Output .....                                       | 2.180        |
| MDO - Multiple Discrete Output.....                                      | 2.183        |
| STEP – Step Output Pid.....  | 2.186        |
| <b>OUTPUT TRANSDUCER BLOCKS .....</b>                                    | <b>2.193</b> |
| FR302 – Fieldbus Relay.....  | 2.193        |

|  |                |
|--|----------------|
| FY302 – Fieldbus Positioner Transducer .....                                   | 2.194          |
| FP302 - Fieldbus Pressure Transducer.....                                      | 2.199          |
| FI302 – Fieldbus Current Transducer .....                                      | 2.203          |
| <b>FLEXIBLE FUNCTION BLOCK.....</b>  | <b>2.205</b>   |
| <b>HART FUNCTION BLOCKS .....</b>  | <b>2.221</b>   |
| HCFG Block .....   | 2.221          |
| HIRT Block .....   | 2.224          |
| HVT Block .....  | 2.227          |
| HI302-I - Configuring the MAI block .....                                      | 2.227          |
| HI302-O - Configuring the MAO block.....                                       | 2.227          |
| Calibrating the analog HI302circuits.....                                      | 2.228          |
| Calibration of the HI302-I (GLL1205) .....                                     | 2.228          |
| Calibration of the HI302-O (GLL1194).....                                      | 2.228          |
| HIRT - HART IDENTIFICATION INFORMATION AND REAL TIME DATA .....                | 2.229          |
| HCFG - HART Configuration Transducer Block.....                                | 2.236          |
| HVT - HART VARIABLE TEMPLATE.....  | 2.238          |
| HCD - HART Commands Definition .....   | 2.240          |
| HWPC - HART WRITEABLE-PARAMETER TO COMMAND CORRELATION .....                   | 2.243          |
| HBC – HART Bypass Communication .....  | 2.245          |
| <b>BLOCK OPTIONS.....</b>  | <b>2.248</b>   |
| Resource Block Bit Strings.....  | 2.248          |
| <b>FUNCTION BLOCK OPTIONS.....</b>   | <b>2.250</b>   |
| IO_OPTS.....   | 2.250          |
| CONTROL_OPTS.....  | 2.251          |
| STATUS_OPTS.....   | 2.252          |
| ALARM_SUM and ACK_OPTION.....  | 2.253          |
| <b>APID AND EPID FUNCTION BLOCKS OPTIONS.....</b>                              | <b>2.254</b>   |
| PID_OPTS.....  | 2.254          |
| <b>INTEGRATOR FUNCTION BLOCK OPTIONS.....</b>                                  | <b>2.254</b>   |
| INTEG_OPTS.....  | 2.254          |
| <b>TIMER FUNCTION BLOCK OPTIONS .....</b>                                      | <b>2.255</b>   |
| INVERT_OPTS.....   | 2.255          |
| <b>ARITHMETIC FUNCTION BLOCK OPTIONS .....</b>                                 | <b>2.255</b>   |
| INPUT_OPTS.....  | 2.255          |
| <b>OUTPUT SIGNAL SELECTOR AND DYNAMIC LIMITER FUNCTION BLOCK OPTIONS .....</b> | <b>2.256</b>   |
| OSDL_OPTS.....   | 2.256          |
| <b>MULTIPLE OUTPUT FUNCTION BLOCK OPTIONS .....</b>                            | <b>2.256</b>   |
| MO_STATUS_OPTS .....   | 2.256          |
| MO_OPTS (Profile Rev. 0 – FB700) .....   | 2.257          |
| MO_OPTS (Profile Rev. 1 – DFI302) .....  | 2.257          |
| <b>HARDWARE CONFIGURATION BLOCK OPTIONS.....</b>                               | <b>2.258</b>   |
| MODULE_STATUS_R0_3 .....   | 2.258          |
| MODULE_STATUS_R4_7 .....   | 2.258          |
| MODULE_STATUS_R8_11 .....  | 2.258          |
| MODULE_STATUS_R12_14.....  | 2.259          |
| <br><b>Chapter 3 - Examples.....</b>   | <br><b>3.1</b> |
| <b>SIMPLE CONTROL APPLICATION .....</b>  | <b>3.1</b>     |
| <b>CASCADE CONTROL .....</b>   | <b>3.1</b>     |
| Corresponding Configuration.....   | 3.2            |
| Parameterization.....  | 3.3            |
| <b>RATIO CONTROL.....</b>  | <b>3.3</b>     |
| Corresponding Configuration.....   | 3.4            |
| Parameterization.....  | 3.4            |
| <b>FEEDFORWARD CONTROL .....</b>   | <b>3.5</b>     |
| Corresponding Configuration.....   | 3.5            |
| Parameterization.....  | 3.6            |
| <b>SPLIT RANGE CONTROL .....</b>   | <b>3.6</b>     |
| Corresponding Configuration.....   | 3.7            |
| Parameterization.....  | 3.7            |
| <b>LEVEL CONTROL .....</b>   | <b>3.8</b>     |
| Corresponding Configuration.....   | 3.8            |
| Parameterization.....  | 3.9            |

|   |             |
|---|-------------|
| <b>RATE CONTROL LOOP WITH LEAD - LAG.....</b>                 | <b>3.9</b>  |
| Corresponding Configuration.....                              | 3.10        |
| Parameterization.....   | 3.10        |
| <b>FLOW COMPENSATION CONFIGURATION WITH TOTALIZATION.....</b> | <b>3.11</b> |
| Corresponding Configuration.....                              | 3.11        |
| Parameterization.....   | 3.11        |
| <b>HYDROSTATIC TANK GAUGING .....</b>                         | <b>3.12</b> |
| Corresponding Configuration.....                              | 3.13        |
| Parameterization.....   | 3.13        |
| <b>COMBUSTION CONTROL WITH DOUBLE CROSS LIMITS.....</b>       | <b>3.15</b> |
| Corresponding Configuration.....                              | 3.16        |
| Parameterization.....   | 3.16        |
| <b>3 ELEMENT BOILER LEVEL/FEEDWATER CONTROL.....</b>          | <b>3.18</b> |
| Corresponding Configuration.....                              | 3.19        |
| Parameterization.....   | 3.19        |



# Definitions

| Term                                  | Description   |
|---------------------------------------|---|
| Alarm                                 | Detection when the block leaves a particular status and when it returns to this status.   |
| Alert                                 | Alarms and Events.  |
| Critical Alert                        | Alert object with priority from 8 to 15.  |
| Algorithm                             | Rule set for problem solution following some steps  |
| Application                           | Software functional unit which consists of a set of interconnected function blocks, events and objects, that can be distributed, have interfaces with their applications and posses other applications.   |
| Array                                 | Array with all elements that are of the same type and each one can be uniquely referenced by a subscript reference.   |
| Attribute                             | Property or characteristic of an entity for instantiation. Value and status are attributes for an output parameter.   |
| Bitstring                             | Data type which consists of a bit array. Each bit corresponds to a specific characteristic that is allowed to the user make a composition of some bits (some characteristics at the same time).           |
| Function Block                        | Block which consists of one or more input or output parameters.   |
| Block or block instantiation          | Software logic processing unit which consists of a single copy named of the block and of the specific parameters associated by the block type, it can have several PID block instantiations, for example. |
| Transducer Block                      | Block which consists of internal parameters that provide an interface for one or more function abilities for a resource.  |
| Bypass                                | This parameter indicates a deviation, normally from the input to the block output, without passing through the algorithm. In the PID block, for example, it means the SP goes to the output.              |
| Configuration (of a system or device) | Steps for a system: selecting function units, indicating their positions and identifiers, and defining their interconnections.  |
| Constant status                       | Status attribute which has both the indications for high and low limits, used to indicate the lower block can not respond to the output of the higher block.  |
| Dd Item Id                            | A unique number which identifies the description of the object class associated, that is developed as part of the Equipment Description.  |
| Dd member Id                          | A unique number which identifies the function of the object class associated, that is developed as part of the Equipment Description.   |

| Term                           | Description   |
|--------------------------------|---|
| Device                         | Physical entity able to perform one or more specific functions into a particular context and delimited for its interfaces.  |
| Download                       | Function which consists of loading data from the client to the server.  |
| Primary Input                  | Input parameter which is critical for the operation of the control or calculation function block. The value of the primary input can be reflected in the parameter of the process variable.                                 |
| Schedule                       | Order of the function block execution.  |
| Data Structure                 | A set, whose elements need to be of the same data type and each one can be referenced uniquely by an identification   |
| Event                          | Instantaneous occurrence that is important to schedule the algorithm execution.   |
| Execution                      | Process of executing an operation sequence for an algorithm.  |
| Feed forward                   | Process anticipation.   |
| Interface                      | Limit shared between two function units, defined by the function characteristics, common physic interconnection characteristics, signal characteristics, and other adequate characteristics                                 |
| Interoperability               | Capacity to operate multiple equipment, regardless of the manufacturer, in the same system, without losing the functionality.   |
| Invocation                     | Process of starting the sequence execution of specific operations for an algorithm.   |
| Link                           | Connection between two devices.   |
| Target Mode                    | Mode reached by user for the block acts.  |
| Multi-Variable Container (MVC) | Object in the Function Block Application Process referred to a group of Function Block parameters defined by user, that can be one or more function blocks in the equipment.  |
| Action Object (action)         | Object that supports object instantiation and exclusion (blocks or links) in the resource.  |
| Input Parameter                | Block parameter that has data structure of value and status elements that can be updated through link for the output parameter.   |
| Output Parameter               | Block parameter which has data structure of value and status elements that can be updated through the block algorithm.  |
| Container Parameter            | Block parameter that is accessible in the communication network but can not be connected to the input or output parameter. The value of the parameter can be used in the block algorithm or written by the block algorithm. |
| Resource                       | Internal function unit of the equipment that has the control, independent of the operation, and provides characteristics needed for scheduling and execution of application algorithms (resource).                          |

| Term             | Description   |
|------------------|---|
| Resource block   | Block which consists of internal parameters that provide the interface for common resource characteristics or information.                    |
| Primary Output   | Output parameter which depends on the mode parameter, reflects the results of the block algorithm execution or the input value given by user. |
| Shedding         | The shedding occurs when one or other non fieldbus interface provides data periodically for the algorithm.                                    |
| Time stamp       | Date and time register (hour:minute:milisecond) for the alert occurrence.   |
| Block Type       | Common qualities for all type instantiations. The PID block is a block type, for example.   |
| Data Type        | Value set for a set of allowed operations.  |
| Engineering Unit | Terms of data measuring, such as Celsius degrees, Pound, grams and others.  |
| Upload           | This function allows transmit data from server to client.   |
| View             | Data structure with the mapping associated to the sub set of block parameters. It is used for optimization of reading parameters.             |
| BLOCK.PARAMETER  | Definition used to indicate the block and the parameter associated, for example: DIAG.BEHAVIOR.   |



# Abbreviations

- AI (Analog Input)
- AO (Analog Output)
- Cas (Cascade Mode)
- DCS (Distributed Control System)
- DD (Device Description)
- DI (Discrete Input)
- DO (Discrete Output)
- DS (Data Structure)
- EU (Engineering Unit)
- FB (Function Block)
- FF: Fieldbus Foundation
- IA (Initialization Acknowledge): status when the block is in Cascade mode
- IMan (Initialization Manual): status when the block is in Cascade mode
- IR (Initialization Request): status when the block is in Cascade mode
- LO (Local Override)
- NI (Not invited)
- RCas (Remote Cascade Mode): status when the block is in Cascade mode
- Rout (Remote Output Mode): status when the block is in Cascade mode



## INTRODUCTION TO FUNCTION BLOCK APPLICATION

### **Overview**

Function block applications are defined as plant or factory applications that perform one or more automatic monitoring and control functions.

### **Function Block**

Function blocks represent the basic automation functions performed by the function block application. Each function block processes input parameters according to a specified algorithm and an internal set of control parameters. They produce output parameters that are available for use within the same function block application or by other function block applications.

### **Transducer Block**

Transducer blocks insulate function blocks from the specifics of I/O devices, such as sensors, actuators, and switches. Transducer blocks control access to I/O devices through a device independent interface defined for use by function blocks. Transducer blocks also perform functions, such as calibration and linearization, on I/O data to convert it to a device independent representation. Their interface to function blocks is defined as one or more implementation independent I/O channels.

### **Resource Block**

Resource blocks are used to define hardware specific characteristics of function block applications. Similar to transducer blocks, they insulate function blocks from the physical hardware by containing a set of implementation independent hardware parameters.

### **Function Block Definitions**

Function blocks are defined by their inputs, outputs, control parameters, and by the algorithm that operates on these parameters. Function blocks are identified using a name (Tag) and a numeric index.

Tags provide a symbolic reference to function blocks. They are unambiguous within the scope of a Fieldbus system. Numeric indices are numbers assigned to optimize access to function blocks. As opposed to function block tags, which are global, numeric indices have meaning only within the application that contains the function block.

Function block parameters define the inputs, outputs, and the data used to control function block operation. They are visible and accessible over the network. Additional parameters, called "contained within" parameters are used to define the private data of a function block. Although visible over the network, they may not participate in function block linkages.

### **Function Block Linkages**

Function block outputs may be linked to inputs of other function blocks. Each linkage indicates that an input parameter of one function block obtains its value from specific output parameters of another function block. While function block "pull" their values from upstream blocks, which block controls the "pulling" depends on the characteristics of the underlying communications.

Two function blocks linked together may exist in the same function block application, or in separate applications, either in the same device or in different devices.

To transfer the data for a function block link, the communication channel must be known, that provide the transfer of parameter data (and other types of data) between applications.

## **Link with Function Block executing in DFI302**

Any function block executing in DFI302 may be linked to any other function block being executed in other device connected to any of four H1 channels available.

## **Information Access**

Function block information may be grouped for access depending on how it is to be used. The following four groups are defined for access purposes:

- 1) Dynamic operation data.
- 2) Static operation data.
- 3) All dynamic data, and
- 4) Other static data.

To support access of operator interface information during function block execution, two levels of network access are defined, one for operational traffic and one for background traffic. Operator interface traffic is transferred as background traffic to prevent it from interfering with the operation of time-critical function blocks.

## **Function Block Application Structure**

Function block applications are modeled as a set of function blocks coordinated to execute a related set of operations. This set of operations collectively provides a single, higher level control function.

Function block model is real-time algorithm that transforms input parameters into output parameters. Their operation is controlled through the setting of control parameters.

Interoperation between function blocks is modeled by linking an input parameter of one function block to an output parameter of another. Function blocks can be bound together within and across devices. Interfaces between function blocks located in the same function block application are locally defined. Those interfaces between function blocks in different devices use the communication services.

To support function block operation, the function block architecture also provides transducer and resource blocks, and display objects.

Function Block Application Process represents the function block application as an integrated set of these components accessed to its network interface.

## **Block Object**

A block object represents a logical processing unit composed of a set of input, processing, and control parameters and an associated algorithm.

Each block is identified by its Tag which is defined to be unique throughout the control system at one plant site. Block tags are defined as strings with a maximum length of 32 characters.

During system operation, a short hand reference, known as a numeric index is used for block access purposes. A block's numeric index is unique only within the function block application where it exists.

The algorithm of a block is identified by its type and the revision level of its type. This information indicates how the execution of the algorithm is affected by control parameters.

## **Block Parameters**

Parameters define the inputs, outputs, and control data for a block. Their relationship to each other and to the block algorithm is shown below.



## **Parameter Identifiers**

Parameter names are unique within a block. Within a system, a parameter can be unambiguously identified by qualifying its name with the tag of its block. This construction is referred to as "Tag.Parameter".

The Tag.Parameter construct is used to obtain the index of a parameter. This is the second way of identifying a parameter.

## **Parameter Storage**

Parameter attributes may be classified as dynamic, static, or non-volatile. The value of parameter attributes may need to be restored after a power failure based on its classification:

**Dynamic** - a parameter attribute whose value is calculated by the block algorithm and therefore does not need to be restored after a power failure.

**Static** - a parameter attribute which has a specific configured value that must be restored by a device after power failure. An Interface or temporary devices may write to static parameter attributes on an infrequent basis. Static parameter attribute values are normally tracked by a configuration device. To support tracking changes in static parameter attributes, the associated block's static revision parameter will be incremented and an update event will be generated each time a static parameter attribute value is modified.

**Non-volatile** - a parameter attribute whose value is written on a frequent basis and the last saved value must be restored by the device after a power failure. Since the values of these parameter attributes are constantly changing, they are not normally tracked by a configuration device.

The classification of a parameter attribute will determine the manner in which the attribute value is stored within a device.

## **Parameter Usage**

Parameters are defined for a block for a specific purpose. Each is defined for use as an input, an output, or a control parameter. Control parameters are also referred to as "contained" parameters because they may not be linked with parameters in other blocks. Each type of usage is defined as follows:

### **Contained**

A contained parameter is a parameter whose value is configured, set by an operator, higher level device, or calculated. It may not be linked to another function block input or output. The mode parameter is an example of a contained parameter common to all blocks.

### **Output**

An output parameter is a parameter that may be linked to an input parameter of another function block. Output parameters contain status. The output status indicates the quality of the parameter value and the mode of the block when it was generated.

The value of an output parameter may not be obtained from a source external to the block. It may be generated by the block algorithm, but does not have to be.

The values of certain output parameters are dependent on the value of the mode parameter of the block. These output parameters may be referred to as mode-controlled output parameters.

Blocks whose purpose is to generate a single output contain one parameter designed as the primary output parameter. Primary outputs are used by other blocks for control or calculation purposes. These blocks also contain secondary output parameters such as alarm and event parameters that play a supporting role to the primary output parameter.

### **Input**

An input parameter obtains its value from a source external to the block. An input parameter may be linked to an output parameter of another function block. Its value may be used by the algorithm of the block.

Input parameter values are accompanied by status. When an input parameter is linked to an output parameter, the status will be provided as the status of the output parameter. When it is not linked to

an output parameter, the status will indicate that the value was not provided by an output parameter. When an expected input parameter value is not received, the function block supported services responsible for delivering the data will set the status of the input parameter to indicate the failure.

If an input parameter is not linked to an output parameter, then it will be treated as a constant value by the function block application. The difference between unlinked input parameters and contained parameters is that input parameters have the capability to support a linkage and contained parameters do not.

Blocks whose purpose is to transform or operate on a single input will contain one parameter designed as the primary input parameter. One input parameter of some types of blocks is designated as the primary input parameter. Primary inputs are used for control or calculation purposes. These blocks may also contain secondary input parameters that support processing done on the primary input parameter.

## **Parameter Relationships**

The execution of a block involves the inputs, outputs, contained parameters, and the algorithm of the block. The execution time for a block's algorithm is defined as a parameter of the block. Its value is dependent on how the block was implemented.

The input parameters are used by the algorithm in conjunction with the state of the function block application containing the block to determine if the algorithm can achieve the target mode established for it. The target mode is the part of the mode parameter that indicates what mode of operation is desired for the block. It is normally set by a control device or the operator.

Under certain operating condition a block may not be able to function in the requested mode. In such cases, the actual mode reflects the mode it is able to achieve. Comparison of the actual against the target indicates whether the target was achieved.

The values for the mode parameter for a block are defined by the Permitted Mode parameter. Thus, the modes available for controlling a block may vary with each block.

The values assigned to the Permitted Mode are selected from those defined by the block designer. They are assigned during block configuration for the specific use of the function block application.

Once the actual mode is determined, the block execution progresses and the outputs are generated.

## **Parameter Status**

All input and output parameters are structures composed of status and value, but some contained parameter (internal parameter, not accessible by other blocks) have also that data type, for example, RCAS\_IN, ROUT\_IN, SP and PV.

The Status field is composed of three parts: Quality, Sub-Status and Limits.

**Quality** – It indicates the quality of the parameter value.

Good Cascade – The quality of the value is good, and it may be part of a cascade structure.

Good Non-Cascade – The quality of the value is good, and the block doesn't support a cascade path.

Uncertain – The quality of the value is less than normal, but the value may still be useful.

Bad – The value is not useful.

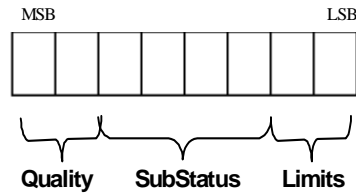
**Sub-Status** – The sub-status is a complement of the quality status and takes information to initialize or break a cascade control, alarms and others. There are different sets of sub-status for each quality.

**Limits** – It provides information whether the associated value is limited or not, as well the direction. The limits are classified as: Not Limited, High Limited, Low Limited, and Constant.

When an input parameter is linked to an output parameter through the link object, the whole structure (status and value) is copied (local link) or received from the bus (external link). If the input is not linked, then the status may be set manually by the user, as well the value.

## Composition of Status

The Status has the following composition:



The quality, sub-status, and limit components of status are defined as follows:

**Quality** - The quality used will be determined by the highest priority condition:

- 0 = Bad
- 1 = Uncertain
- 2 = Good (Non-cascade)
- 3 = Good (Cascade)

**Sub status** - Sub-status values in the status attribute are defined as shown in the following table.

**Limit** - The following limit conditions will be always available in the status attribute.

- 0 = Not limited
- 1 = Low limited
- 2 = High limited
- 3 = Constant

Examples:

0xC1 (in hexadecimal) is “Good-Cascade Non Specific and Low Limited” status

0xCF (in hexadecimal) is “Good-Cascade Not invited and Constant” status

0x4E (in hexadecimal) is “Uncertain Initial Value and High Limited” status

| Quality | Sub-status                                   | Hex value | Not in cascade | Forward path of cascade | Backward path of cascade |
|---------|--|-----------|----------------|-------------------------|--------------------------|
| Bad     | 0 = Non-specific                             | 0x00      | X              | X                       | X                        |
| Bad     | 1 = Configuration Error                      | 0x04      | X              | X                       | X                        |
| Bad     | 2 = Not Connected                            | 0x08      |                |                         |                          |
| Bad     | 3 = Device Failure                           | 0x0c      | X              | X                       | X                        |
| Bad     | 4 = Sensor Failure                           | 0x10      | X              | X                       | X                        |
| Bad     | 5 = No Communication, with last usable value | 0x14      |                |                         |                          |
| Bad     | 6 = No Communication, with no usable value   | 0x18      |                |                         |                          |
| Bad     | 7 = Out of Service (highest priority)        | 0x1c      |                |                         |                          |

| Quality   | Sub-status                           | Hex value | Not in cascade | Forward path of cascade | Backward path of cascade |
|-----------|--------------------------------------|-----------|----------------|-------------------------|--------------------------|
| Uncertain | 0 = Non-specific                     | 0x40      | X              |                         |                          |
| Uncertain | 1 = Last Usable Value                | 0x44      | X              |                         |                          |
| Uncertain | 2 = Substitute                       | 0x48      | X              |                         |                          |
| Uncertain | 3 = Initial Value                    | 0x4c      | X              |                         |                          |
| Uncertain | 4 = Sensor Conversion not Accurate   | 0x50      | X              |                         |                          |
| Uncertain | 5 = Engineering Unit Range Violation | 0x54      | X              |                         |                          |
| Uncertain | 6 = Sub-normal                       | 0x58      | X              |                         |                          |

| Quality | Sub-status                         | Hex value | Not in cascade | Forward path of cascade | Backward path of cascade |
|---------|------------------------------------|-----------|----------------|-------------------------|--------------------------|
| GoodNC  | 0 = Non-specific (lowest priority) | 0x80      | X              |                         |                          |
| GoodNC  | 1 = Active Block Alarm             | 0x84      | X              |                         |                          |
| GoodNC  | 2 = Active Advisory Alarm          | 0x88      | X              |                         |                          |
| GoodNC  | 3 = Active Critical Alarm          | 0x8c      | X              |                         |                          |
| GoodNC  | 4 = Unacknowledged Block Alarm     | 0x90      | X              |                         |                          |
| GoodNC  | 5 = Unacknowledged Advisory Alarm  | 0x94      | X              |                         |                          |
| GoodNC  | 6 = Unacknowledged Critical Alarm  | 0x98      | X              |                         |                          |

| Quality | Sub-status                         | Hex value | Not in cascade | Forward path of cascade | Backward path of cascade |
|---------|------------------------------------|-----------|----------------|-------------------------|--------------------------|
| GoodC   | 0 = Non-specific                   | 0xc0      |                | X                       | X                        |
| GoodC   | 1 = Initialization Acknowledge(IA) | 0xc4      |                | X                       |                          |
| GoodC   | 2 = Initialization Request(IR)     | 0xc8      |                |                         | X                        |
| GoodC   | 3 = Not Invited (NI)               | 0xcc      |                |                         | X                        |
| GoodC   | 4 = Not Selected(NS)               | 0xd0      |                |                         | X                        |
| GoodC   | 6 = Local Override(LO)             | 0xd8      |                |                         | X                        |
| GoodC   | 7 = Fault State Active(FSA)        | 0xdc      |                |                         | X                        |
| GoodC   | 8 = Initiate Fault State (IFS)     | 0xe0      |                | X                       |                          |

**Example: Conversion from the Enumerations to Number**

The following formula is used to obtain the enumeration number of a determinate status attribute:

|  |
|--|
| $\text{Decimal Value Status} = 64 * \text{Quality} + 4 * \text{Sub-Status} + \text{Limit}$ |
|--|

For example, considering the following status:

“Uncertain - Initial Value - High Limited”

Where:

Quality = “uncertain” = 1

Sub-Status = “Initial Value” = 3

Limit = “High Limited” = 2

Applying the formula:

Decimal Value Status =  $64 * 1 + 4 * 3 + 2 = 78$  (in decimal) or 0x4E (in Hexadecimal)

**Example: Conversion from Number to Enumerations**

There are many forms to convert the enumerate number to the status string. Below is shown two forms to do this.

The number is expressed in binary as:

Hex Value Status = 78 = 0x4E = 01001110 (in binary)

Dividing this binary number in quality, sub-status and limit fields:

Quality = 01 = 1 = “Uncertain”

Sub-Status = 0011 = 3 = “Initial Value”

Limit = 10 = 2 = “High Limited”

The corresponding status is “Uncertain - Initial Value - High Limited”.

The user must use the value of status in decimal format.

Decimal Value Status = 78

Divide the number by 64. The quotient will be the Quality and save the remainder:

$$\text{Quality} = 78 / 64 = 1$$

$$\text{Remainder} = 14$$

The remainder should be divided by 4. The quotient will be the Sub-Status and the remainder will be the limit:

$$\text{SubStatus} = 14 / 4 = 3$$

$$\text{Limit} = 2$$

## Process Variable Calculation

The process variable (PV) parameter reflects the value and status of the primary input value or calculated value based on multiple inputs. The PV parameter is the IN parameter after filtering (PID and AALM), or it reflects the value from the transducer after filtering (AI and AO-readback), or the combination of two input parameters for range extension (ARTH).

The PV parameter has a status, although it is a contained parameter. This status is a copy of the primary input status or the worst status when the PV is based on multiple inputs. The PV value reflects the value of the calculated input regardless the mode of the block, unless this input is not usable, then the PV holds the last usable value.

Optionally, a filter may be applied in the process value signal, whose time constant is PV\_FTIME. Considering a step change to the input, this is the time in seconds to the PV reaches 63,2% of the final value. If the PV\_FTIME value is zero, the filter is disabled.

## Setpoint Calculation

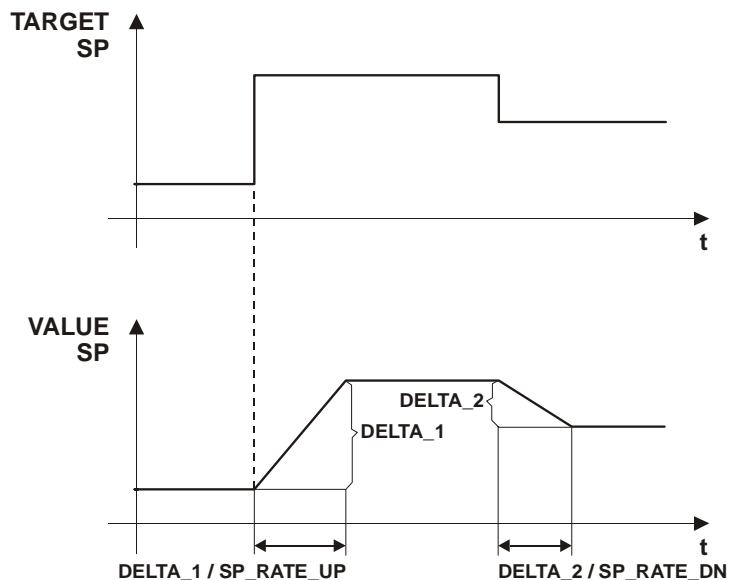
### a) SP limits: SP\_HI\_LIM and SP\_LO\_LIM

At first, the SP will be limited to a range specified by the SP\_HI\_LIM and SP\_LO\_LIM parameters **only in Auto mode**. However in the PID block, if the bit "Obey SP limits if Cas or Rcas" in CONTROL\_OPTS parameter is true, then the setpoint value will be also restricted to setpoint limits in Cas and RCas mode.

### b) SP rate limits: SP\_RATE\_UP and SP\_RATE\_DN

These parameters avoid bump in SP change, and they depend on the block type as well the mode to be effective. The SP rate limits are applied for the PID block in Auto mode, and AO block in Auto, Cas or RCas modes.

When the block is in Auto mode and the user change the SP to a value greater than the current value, then the SP value ramps upward based on the SP\_RATE\_UP parameter. If the new setpoint is less than the current value, the SP value ramps downward based on the SP\_RATE\_DN. When the SP\_RATE\_DN and/or SP\_RATE\_UP is zero the rate limiting is disabled.



The below table summarizes the conditions for SP limits and SP rate limits.

| Block type | Mode     | Required configuration for SP limits<br>(SP_HI_LIM/SP_LO_LIM) | Required configuration for SP rate limits<br>(SP_RATE_UP/SP_RATE_DN) |
|------------|----------|---|--|
| PID        | Auto     | None  | SP_RATE_UP / SP_RATE_DN different of zero                            |
|            | Cas/Rcas | CONTROL_OPTS.“Obey SP limits if Cas or Rcas” is true          | Not apply  |
| AO         | Auto     | None  | SP_RATE_UP / SP_RATE_DN different of zero                            |
|            | Cas/Rcas | Not apply   | SP_RATE_UP / SP_RATE_DN different of zero.                           |

### c) SP tracking PV

Some control strategies require that the transition from a “manual” mode (Rout, Man, LO and Iman) to an “auto” mode (Auto, Cas, Rcas) must be done with error equals to zero, therefore SP must be equal to PV.

The CONTROL\_OPTS of the PID block and the IO\_OPTS of the AO block may be configured for SP tracking PV when the block is in a “manual” mode.

This option is summarized in the following table:

| Bitstring                 | CONTROL_OPTS<br>(PID) | IO_OPTS<br>(AO) | Meaning  |
|---------------------------|-----------------------|-----------------|--|
| SP-PV Track in Man        | X                     | X               | The SP tracks the PV when the target mode is Man.        |
| SP-PV Track in Rout       | X                     |                 | The SP tracks the PV when the actual mode is Rout.       |
| SP-PV Track in LO or Iman | X                     | X               | The SP tracks the PV when the actual mode is LO or Iman. |

## Output Calculation

When the actual mode is AUTO, CAS or RCAS, the normal algorithm is executed. This calculation is specific for each function block type. If the mode is a “manual” mode, the output is just following a value provided by another block (LO, Iman), the user (Man) or a Control Application running on an interface device (Rout).

The output value is limited high and low by the OUT\_HI\_LIM and OUT\_LO\_LIM parameters in PID and ARTH blocks for all modes.

It is possible to disable the output limits in Manual mode in the PID block by setting “No OUT limits in Manual” bit in CONTROL\_OPTS.

## Cascade Control

There is a linked output and input pair involved in each of the different forms of cascade, as shown in the following table.

| Mode | Forward | Backward  |
|------|---------|-----------|
| Cas  | CAS_IN  | BKCAL_OUT |
| RCas | RCAS_IN | RCAS_OUT  |
| ROut | ROUT_IN | ROUT_OUT  |

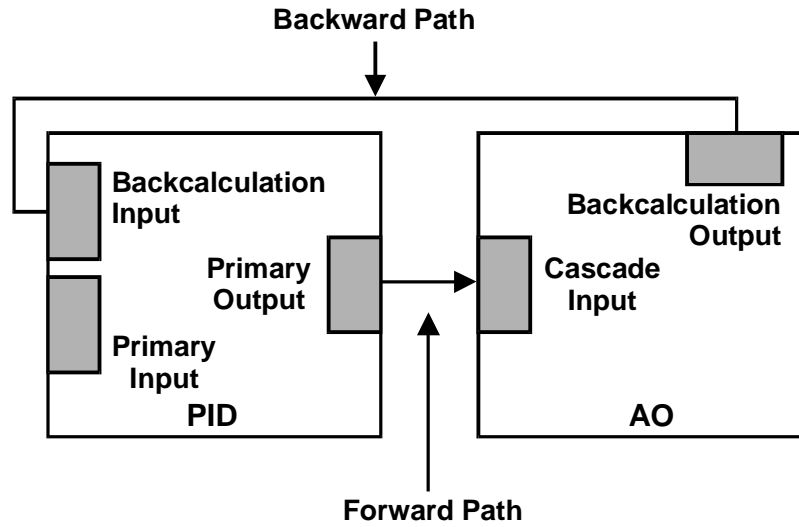
**Table 1 – Parameter Pairs**

In a cascade, the upper control block provides an output value and status, which becomes the cascade input to the lower block.

The lower block in the cascade provides an output value, which is communicated to the upper block

as back-calculation input.

Based on the following example, which is the most common form of cascade, it will be shown the process of cascade initialization.



There are four steps to complete a cascade initialization:

**1. Not cascade mode** – As the AO block is in Auto mode, the PID block is not calculating the output (OUT), it is just following the backward value (AO.BKCAL\_OUT -> PID.BKCAL\_IN).

```
PID
MODE_BLK.Target = Auto
MODE_BLK.Actual = IMan
OUT.Status = GoodC-Non-specific
```

```
AO
MODE_BLK.Target = Auto
MODE_BLK.Actual = Auto
BKCAL_OUT.Status = GoodC-Not Invited
```

**2. Initialize** – The user changes the target mode of AO block to Cas, then the AO block sets GoodC-IR in BKCAL\_OUT. The value of BKCAL\_OUT is the initial value for the PID starts to calculate.

The AO block waits for the PID to set GoodC-IA in OUT, which is linked to AO.CAS\_IN (PID.OUT -> AO.CAS\_IN).

```
PID
MODE_BLK.Target = Auto
MODE_BLK.Actual = IMan
OUT.Status = GoodC-Non-specific
```

```
AO
MODE_BLK.Target = Cas
MODE_BLK.Actual = Auto
BKCAL_OUT.Status = GoodC-Initialization Request (IR)
```

**3. Initialization complete** – The AO block goes to Cas, because the PID block sent GoodC-IA.

```
PID
MODE_BLK.Target = Auto
MODE_BLK.Actual = IMan
OUT.Status = GoodC- Initialization Acknowledge (IA)
```

```
AO
MODE_BLK.Target = Cas
MODE_BLK.Actual = Cas
BKCAL_OUT.Status = GoodC- Non-specific
```

**4. Cascade complete** – The PID block changes the status of OUT from GoodC-IA to GoodC-NS.

PID  
MODE\_BLK.Target = Auto  
MODE\_BLK.Actual = Auto  
OUT.Status = GoodC- Non-specific

AO  
MODE\_BLK.Target = Cas  
MODE\_BLK.Actual = Cas  
BKCAL\_OUT.Status = GoodC- Non-specific

**Notes:**

- The remote cascade modes (Rcas and Rout) have a similar mechanism to the process of cascade initialization.
- The function blocks prepared to work as the upper block in the cascade have the BKCAL\_IN parameter, as PID, SPLT, SPG and OSDL
- The function blocks prepared to work as the lower block in the cascade have the BKCAL\_OUT parameter, as PID, AO, SPLT and OSDL.
- The upper blocks will be in Iman mode when the lower block is not in cascade, whose main reasons are:
  - Link failure in backward path (lower.BKCAL\_OUT -> upper.BKCAL\_IN)
  - Lower block can not execute in Cas: the target mode of lower block is not Cas, or there is any condition forcing the lower block to a higher priority mode as fault state (AO in LO), link failure in the forward path (OUT -> CAS\_IN).
  - Tracking (PID in LO), link failure in the primary input (PID in Man), and others. (See details in the section Mode Parameter).
  - Control Application running on as interface device works similarly an upper block in the remote cascade modes (Rcas and Rout).

## Mode Parameter

### a) Mode types

The operation of the block is summarized for each mode type as follows:

**Out of Service (O/S):**

The block is not being evaluated. The output is maintained at last value or, in the case of output class function blocks, the output may be maintained at an assigned Fault State value – last value or configured Fault State value. Setpoint is maintained at last value.

**Initialization Manual (IMan):**

This mode means that the downstream block is not in cascade (Cas mode), therefore the normal algorithm must not be executed and the block output will just follow an external tracking signal (BKCAL\_IN) coming from the downstream block. This mode cannot be requested through the target mode.

**Local Override (LO):**

It applies to control block that supports a track input parameter, when the control block is LO, its output is tracking the TRK\_VAL input parameter. The LO mode also applies to output block when it is in fault state. This mode cannot be requested through the target mode.

**Manual (Man):**

The block output is not being calculated, although it may be limited. The operator may set directly the outputs of the block.

**Automatic (Auto):**

The normal algorithm calculates the block output. If the block has a setpoint, it will be used a local value that may be written by an operator through an interface device.

**Cascade (Cas):**

The setpoint comes from another block over a link (CAS\_IN), therefore the operator cannot change the setpoint. The normal algorithm calculates the block output based on that setpoint. In order to



achieve this mode, the algorithm uses the CAS\_IN input and BKCAL\_OUT output to establish the cascade with the upstream block in a bumpless way.

**Remote Cascade (RCas):**

The block setpoint is being set by a Control Application running on an interface device to the RCAS\_IN parameter. The normal algorithm calculates the block output based on that setpoint, so the block running in Rcas works similarly a “lower block” in cascade. In order to achieve this mode, the block algorithm uses the RCAS\_IN and RCAS\_OUT to **establish a relation like a cascade** with the interface device in a bumpless way. Therefore the Control Application works **similarly as an “upper block”**, but its algorithm is not synchronized to the schedule and neither does it use a link to transfer the setpoint to the block.

**Remote Output (ROut):**

The block output is being set by a Control Application running on an interface Device to the ROUT\_IN parameter. In order to achieve this mode, the block algorithm uses the ROUT\_IN and ROUT\_OUT to **establish a relation like a cascade** with the interface device in a bumpless way. Therefore the Control Application works **similarly as an “upper block”**, but its algorithm is not synchronized to the schedule and neither does it use a link to transfer the output to the block. The block running in ROut works similarly a “lower block” in cascade.

Auto, Cas, and RCas are the “automatic” modes, which calculate the primary output using the normal algorithm. The “manual” modes are IMan, LO, Man, and ROut.

| Mode type | Source of SP   | Source of OUT  |
|-----------|--|--|
| O/S       | User   | User   |
| Iman      | User   | Other function block – following BKCAL_IN parameter  |
| LO        | PID / EPID / APID : User<br>AO / DO : Fault state (last value or FSTATE_VAL) | PID / EPID / APID : Other function block – following TRK_VAL parameter<br>AO / DO : Fault state (last value or FSTATE_VAL) |
| Man       | User   | User   |
| Auto      | User   | Block algorithm  |
| Cas       | Other function block – following CAS_IN parameter                            | Block algorithm  |
| Rcas      | Control Application running on an interface device                           | Block algorithm  |
| Rout      | Block keeps last value   | Control Application running on an interface device   |

**b) Elements of MODE\_BLK**

The mode parameter (MODE\_BLK) is defined in every function block. It is defined as having four elements:

- 1) Target** - This is the mode requested by the operator. Only one mode from those allowed by the permitted mode parameter may be requested, that check will be done by the device.
- 2) Actual** - This is the current mode of the block, which may differ from the target based on operating conditions and block configuration, as input parameter status and bypass configuration, for example. Its value is *always* calculated as part of block execution, therefore the user can not write in this attribute.
- 3) Permitted** – It defines the modes that are allowed for an instance of the block. The permitted mode is configured based on the application requirement. For example, if a PID block does not have link for CAS\_IN, the Cas mode should not be permitted for that block. It is like a list of mode types selected from the supported modes.
- 4) Normal** - This is the mode which the block should be set to during normal operating conditions. The normal attribute is used as a *reminder*. It does not affect the algorithm calculation.

Execution of a function or transducer block will be controlled through the mode parameter. The user sets the target mode, which indicates what mode of operation is desired for the block. Then, the algorithm evaluates if the block can be executed in the *requested mode* (target mode) *or the nearest higher priority mode possible*. The actual mode reflects the mode of block operation.

Other concepts of mode:

**Retained target:** When the target mode is O/S, MAN, RCAS or ROUT the target mode attribute may retain information about the previous target mode. This information may be used by the block in mode shedding and setpoint tracking. This feature is optional and the interface device is responsible to implement it.

**Supported mode:** Each *block type* has a set of mode types supported, it means that *the block definition specifies* in which modes the block may operate.

### c) Priority of mode

The concept of priority is used when the block calculates the actual mode, and when determining if write access is allowed for a particular mode or other of higher priority.

| Mode | Description           | Priority    |
|------|-----------------------|-------------|
| O/S  | Out of Service        | 7 – highest |
| IMan | Initialization Manual | 6           |
| LO   | Local Override        | 5           |
| Man  | Manual                | 4           |
| Auto | Automatic             | 3           |
| Cas  | Cascade               | 2           |
| Rcas | Remote Cascade        | 1           |
| Rout | Remote Output         | 0 - lowest  |

**Priority of the Mode**

### d) Mode shedding

Interface devices such as a host computer, distributed control system (DCS) controller, or programmable logic controller (PLC) may exist which not support the function blocks application architecture but have proprietary control applications running on them.

Such applications may adjust the values of the block setpoint (RCas mode) and/or primary output (ROut mode) parameters in a function block. When doing so, they provide the value of each parameter along with its status.

If a new value is not received by the function block within a specified “update time” (defined by SHED\_RCAS and SHED\_ROUT parameters of the Resource block), or a bad status is received, then the function block mode will be changed to a non-remote mode of higher priority.

The SHED\_OPT parameter configures the desired behavior when shedding from a remote mode (Rcas and Rout); therefore **it does not include the Cas mode**. Also, it determines if the shed mode is maintained once the RCAS\_IN or ROUT\_IN parameter updating is recovered (no return – target mode receives the shed mode) or original mode will be restored when the cause of shedding has cleared (normal return – no change in target mode).

The shed option has the following enumeration:

- 0 = Undefined – Invalid
- 1 = Normal shed, normal return – Actual mode changes to the next lowest priority non-remote mode permitted but returns to the target remote mode when the remote computer completes the initialization handshake.
- 2 = Normal shed, no return – Target mode changes to the next lowest priority non-remote mode permitted. The target remote mode is lost, so there is no return to it.
- 3 = Shed to Auto, normal return.
- 4 = Shed to Auto, no return – Target mode changes to Auto on detection of a shed condition.
- 5 = Shed to Manual, normal return.
- 6 = Shed to Manual, no return – Target mode changes to Man on detection of a shed condition.

7 = Shed to Retained target, normal return.

8 = Shed to Retained target, no return (change target to retained target).

**e) Mode calculation**

The actual mode will be calculated based on the following:

Each mode type has some conditions that force the actual mode to be of higher priority than the target mode.

Starting from the highest priority mode (O/S), it is analyzed its corresponding conditions. If they are present, then the actual mode will be this one, otherwise it is necessary to check the conditions for the next lower priority mode (Iman, LO, Man, Auto, Cas, Rcas and ROut) till the target mode, exclusive. For instance, if the target mode is Cas, it is necessary to check the conditions for O/S, IMan, LO, Man and Auto, in this order. If all those conditions are false, the actual mode will be the target mode.

| Mode        | Conditions  |
|-------------|---|
| <b>O/S</b>  | Resource block is in O/S (resource state is Standby)<br>- Enumerated parameter has an invalid value   |
| <b>IMan</b> | BKCAL_IN.status is Bad<br>BKCAL_IN.status is Good – Fault State Active, Not Invited or Initialization Request.  |
| <b>LO</b>   | Fault state is active (in an output function block)<br>CONTROL_OPTS.Track Enable active and TRK_IN_D is active.<br>If target is Man, then the CONTROL_OPTS.Track in Manual must be active.  |
| <b>Man</b>  | Target mode has just changed from O/S<br>(Status attribute of primary input parameter (IN parameter) is Bad or Uncertain with option to treat Uncertain as Bad) and<br>(Bypass not set).<br>Target mode is RCas or ROut, and SHED_OPT=shed to Manual or shed to next  |
| <b>Auto</b> | Target mode is Cas and (CAS_IN.status=Bad or cascade initialization not completed)<br>Target mode is RCas and RCAS_IN.status=Bad and SHED_OPT=shed to Auto or shed to next<br>Target mode is ROut and ROUT_IN.status=Bad and SHED_OPT = shed to Auto or shed to next.   |
| <b>Cas</b>  | Actual mode last execution was Cas.<br>Target mode is Cas and cascade initialization has just completed<br>Target mode is RCas and RCAS_IN.status=Bad and SHED_OPT=shed to next and cascade initialization has just completed<br>Target mode is ROut and ROUT_IN.status=Bad and SHED_OPT=shed to next and cascade initialization has just completed |
| <b>RCas</b> | RCas cascade initialization has just completed or actual mode last execution was RCas.  |
| <b>ROut</b> | ROut cascade initialization has just completed or actual mode last execution was ROut.  |

When the actual mode is different from the target, a good suggestion to find the cause is an analysis of the corresponding conditions for the actual mode. The most frequent causes are shown below.

| Mode | Frequent cause  |
|------|---|
| O/S  | Check the Resource block mode and all enumerated parameters   |
| Iman | Check the BKCAL_IN.status:<br>Bad – No Comm : link failure in backward path (BKCAL_OUT -> BKCAL_IN)<br>NI : lower block can not execute in Cas (check the target mode of lower block as well fault state condition) or link failure in forward path (OUT -> CAS_IN) |
| LO   | Check :<br>Value and status of TRK_IN_D, TRK_VAL and CONTROL_OPTS (Track Enable, Track in Manual)<br>Output block : status of CAS_IN and the delay time for fault state established by FSTATE_TIME  |
| Man  | Status of IN<br>If the target is Cas, check the links with the upper block in backward path (BKCAL_OUT -> BKCAL_IN)   |

| Mode | Frequent cause   |
|------|--|
|      | and forward path (OUT -> CAS_IN)<br>If the block is not reaching the target mode Rcas or Rout, compare the updating rate of RCAS_IN and ROUT_IN by a Control Application to SHED_RCAS and SHED_ROUT.   |
| Auto | If the target is Cas, check the links with the upper block in backward path (BKCAL_OUT -> BKCAL_IN) and forward path (OUT -> CAS_IN)<br>If the block is not reaching the target mode Rcas or Rout, compare the updating rate of RCAS_IN and ROUT_IN by a Control Application to SHED_RCAS and SHED_ROUT. |
| Cas  | If the block is not reaching the target mode Rcas or Rout, compare the updating rate of RCAS_IN and ROUT_IN by a Control Application to SHED_RCAS and SHED_ROUT.   |

**f) Cascade initialization**

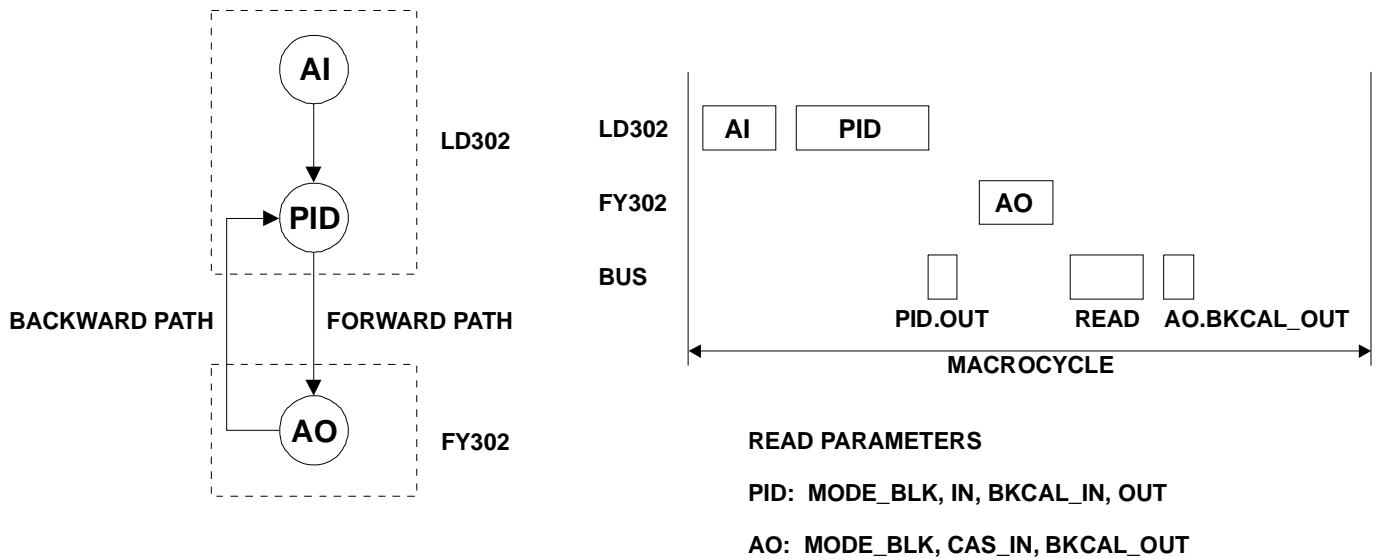


Fig.1 – Example to analyze the cascade initialization

The following table shows the sequence of status exchange between the PID and AO blocks for cascade initialization, and a link failure between PID.OUT and AO.CAS\_IN (forward path) after execution 8.

**PID parameters**

| Execution | 1       | 2       | 3    | 4    | 5    | 6    | 7    | 8    | 9    | 10   | 11   |
|-----------|---------|---------|------|------|------|------|------|------|------|------|------|
| Target    | O/S     | Auto    |      |      |      |      |      |      |      |      |      |
| IN        | Bad     | GNC     | GNC  | GNC  | GNC  | GNC  | GNC  | GNC  | GNC  | GNC  | GNC  |
| BKCAL_IN  | Bad     | Bad-O/S | NI   | IR   | GC   | GC   | GC   | GC   | NI   | NI   | NI   |
| Actual    | O/S     | Iman    | IMan | IMan | Auto | Auto | Auto | Auto | IMan | IMan | IMan |
| OUT       | Bad-O/S | GC      | GC   | IA   | GC   | GC   | GC   | GC   | GC   | GC   | GC   |

**AO parameters**

| Execution | 1       | 2   | 3    | 4   | 5   | 6   | 7   | 8   | 9   | 10  | 11  |
|-----------|---------|-----|------|-----|-----|-----|-----|-----|-----|-----|-----|
| Target    | O/S     | Cas |      |     |     |     |     |     |     |     |     |
| CAS_IN    | Bad     | GC  | GC   | IA  | GC  | GC  | GC  | Bad | Bad | Bad | Bad |
| Actual    | O/S     | Man | Auto | Cas | Cas | Cas | Cas | LO  | LO  | LO  | LO  |
| BKCAL_OUT | Bad-O/S | NI  | IR   | GC  | GC  | GC  | GC  | NI  | NI  | NI  | NI  |

Meaning of status:  
 GNC – Good Non-Cascade – Non Specific  
 GC - Good Cascade – Non Specific  
 IA - Good Cascade – Initialization Acknowledge  
 IR - Good Cascade – Initialization Request  
 NI - Good Cascade – Not Invited  
 Bad – Bad – any sub-status

The above sequence for cascade initialization applies not only for the Cas mode, but also for Rcas and Rout modes.

**g) Example**

The mode configuration for the control loop of the figure 1.

|     | Supported                          | Target | Actual | Permitted        | Normal |
|-----|------------------------------------|--------|--------|------------------|--------|
| AI  | O/S,Man,Auto                       | Auto   | -      | O/S,Auto         | Auto   |
| PID | O/S,Iman,LO,Man,Auto,Cas,Rcas,Rout | Auto   | -      | O/S,Man,Auto     | Auto   |
| AO  | O/S,Iman,LO,Man,Auto,Cas,Rcas      | Cas    | -      | O/S,Man,Auto,Cas | Cas    |

**h) Specific information for driver developers**

Internally, the each mode attribute is assigned within the bitstring in the following manner:

|           | Hex value | Bit 7                  | Bit 6 | Bit 5 | Bit 4 | Bit 3 | Bit 2 | Bit 1 | Bit 0 |
|-----------|-----------|------------------------|-------|-------|-------|-------|-------|-------|-------|
| O/S       | 0x80      | 1                      | 0     | 0     | X     | X     | X     | X     | X     |
| Iman & LO | -         | Not Valid Target Modes |       |       |       |       |       |       |       |
| Man       | 0x10      | 0                      | 0     | 0     | 1     | 0     | X     | X     | X     |
| Auto      | 0x08      | 0                      | 0     | 0     | 0     | 1     | 0     | 0     | 0     |
| Cas       | 0x0c      | 0                      | 0     | 0     | 0     | 1     | 1     | 0     | 0     |
| Rcas      | 0x0a      | 0                      | 0     | 0     | 0     | 1     | X     | 1     | 0     |
| Rout      | 0x09      | 0                      | 0     | 0     | 0     | 1     | X     | 0     | 1     |

Where: X = indicates the bit setting is retained from the previous target mode.

**Target and Normal Mode Bitstring**

|      | Hex value | Bit 7 | Bit 6 | Bit 5 | Bit 4 | Bit 3 | Bit 2 | Bit 1 | Bit 0 |
|------|-----------|-------|-------|-------|-------|-------|-------|-------|-------|
| O/S  | 0x80      | 1     | 0     | 0     | 0     | 0     | 0     | 0     | 0     |
| Iman | 0x40      | 0     | 1     | 0     | 0     | 0     | 0     | 0     | 0     |
| LO   | 0x20      | 0     | 0     | 1     | 0     | 0     | 0     | 0     | 0     |
| Man  | 0x10      | 0     | 0     | 0     | 1     | 0     | 0     | 0     | 0     |
| Auto | 0x08      | 0     | 0     | 0     | 0     | 1     | 0     | 0     | 0     |
| Cas  | 0x04      | 0     | 0     | 0     | 0     | 0     | 1     | 0     | 0     |
| Rcas | 0x02      | 0     | 0     | 0     | 0     | 0     | 0     | 1     | 0     |
| Rout | 0x01      | 0     | 0     | 0     | 0     | 0     | 0     | 0     | 1     |

**Actual Mode Bitstring**

| Block | Permitted modes  | Hex value | O/S | - | - | Man | Auto | Cas | Rcas | Rout |
|-------|------------------|-----------|-----|---|---|-----|------|-----|------|------|
| AI    | O/S,Auto         | 0x88      | 1   | 0 | 0 | 0   | 1    | 0   | 0    | 0    |
| PID   | O/S,Man,Auto     | 0x98      | 1   | 0 | 0 | 1   | 1    | 0   | 0    | 0    |
| AO    | O/S,Man,Auto,Cas | 0x9c      | 1   | 0 | 0 | 1   | 1    | 1   | 0    | 0    |

**Permitted Mode Bitstring**

(Example for the loop control in the previous figure)

The retained target mechanism is suitable to work with toggle switch in the interface device following the rules:

A/M toggle switch:

“Automatic mode” → Man mode: Bit #4 ← 1 and Bit #3 ← 0

Man mode → “automatic mode”: Bit #4 ← 0 and Bit #3 ← 1

Cascade/Local toggle switch:

Cascade → Local: Bit #2 ← 0

Local → Cascade: Bit #2 ← 1

Remote/Non-remote setpoint toggle switch:

Remote → Non-remote: Bit #1 ← 0 and Bit #0 ← 0

Non-remote → Remote: Bit #1 ← 1 and Bit #0 ← 0

Remote/Non-remote output toggle switch:

Remote → Non-remote: Bit #1 ← 0 and Bit #0 ← 0

Non-remote → Remote: Bit #1 ← 0 and Bit #0 ← 1

| Target mode    | Rule for toggle           | Value retained | Possible retained modes  | Target + Retained modes  |
|----------------|---------------------------|----------------|--|--|
| O/S: 100xxxxx  | Bit #7 ← 0                | 000xxxxx       | 00010000 (0x10) : Man<br>00001000 (0x08) : Auto<br>00001100 (0x0c) : Cas<br>00001010 (0x0a) : Rcas<br>00001001 (0x09) : Rout | 10010000 (0x90) : Man<br>10001000 (0x88) : Auto<br>10001100 (0x8c) : Cas<br>10001010 (0x8a) : Rcas<br>10001001 (0x89) : Rout |
| Man: 00010xxx  | Bit #4 ← 0 and Bit #3 ← 1 | 00001xxx       | 00001000 (0x08) : Auto<br>00001100 (0x0c) : Cas<br>00001010 (0x0a) : Rcas<br>00001001 (0x09) : Rout                          | 00010000 (0x10) : Auto<br>00010100 (0x14) : Cas<br>00010010 (0x12) : Rcas<br>00010001 (0x11) : Rout                          |
| Rcas: 00001x10 | Bit #1 ← 0 and Bit #0 ← 0 | 00001x00       | 00001000 (0x08) : Auto<br>00001100 (0x0c) : Cas  | 00001010 (0x0a) : Auto<br>00001110 (0x0e) : Cas  |
| Rout: 00001x01 | Bit #1 ← 0 and Bit #0 ← 0 | 00001x00       | 00001000 (0x08) : Auto<br>00001100 (0x0c) : Cas  | 00001001 (0x09) : Auto<br>00001101 (0x0d) : Cas  |

## Scaling Parameters

The scaling parameter defines the operating range and the engineering units associated with a parameter. It also defines the number of digits to the right of the decimal point, which should be used by an interface device in displaying that parameter.

Scaling information is used for two purposes. Display devices need to know the range for bar graphs and trending, as well as the units code. Control blocks need to know the range to use internally as percent of span, so that the tuning constants may remain dimensionless.

The PID blocks take the error and convert it to percent of span using the PV\_SCALE. The algorithm operates on percent of span to produce an output in that form. This is converted back to a number with engineering units by using the range of OUT\_SCALE.

The AI block has the XD\_SCALE parameter to define the engineering units expected from the transducer.

The AO block uses the XD\_SCALE to convert the SP value to the engineering unit expected by the output transducer block, which is also the engineering unit of the readback value.

The following fields form the scale:

- Engineering Units at 100% of scale - The value that represents the upper end of range in engineering unit;
- Engineering Units at 0% of scale - The value that represents the lower end of range in engineering unit;
- Units Index - Device Description units code index for the engineering unit.
- Decimal Point - The number of digits to the right of the decimal point which should be used by an interface device in displaying the specified parameter.

### Example Using Scale Parameter

The PID algorithm works internally with values in percent of span. Therefore the PID block converts the error to percentage (PV\_SCALE), it calculates the output in percentage, and then it converts to engineering unit of output (OUT\_SCALE).

1. The PID takes the input IN and SP and converts to percentage of the PV\_SCALE:

$$\text{VALUE\%} = (\text{VALUE} - \text{EU}_0) * 100 / (\text{EU}_{100} - \text{EU}_0) \quad [\text{PV\_SCALE}]$$

PV\_SCALE:  
 EU at 100% = 20  
 EU at 0% = 4  
 Units Index = mA  
 Decimal point = 2

SP = 15 mA  
 PV = 10 mA

The values of SP and PV in percentage are:  
 $\text{SP\%} = (15 - 4) * 100 / (20 - 4) = 68.75\%$

$$\text{PV\%} = (10 - 4) * 100 / (20 - 4) = 37.50\%$$

2. The PID algorithm calculates the error in percentage. If it is configured the reverse action, the error is the difference between SP% and PV%.  
 $\text{Error\%} = \text{SP\%} - \text{PV\%} = 31.25\%$

3. The PID algorithm applies the Error% to the calculation of the P, I and D terms. If only the proportional term is enabled, the value of the output is:

GAIN = 1.0  
 RESET = +INF  
 RATE = 0.0  
 $\text{OUT\%} = 31.25\%$

4. The output value is converted from percentage to engineering units of the OUT\_SCALE:  
 $OUT = OUT\% / 100 * (EU_{100} - EU_0) + EU_0$  [OUT\_SCALE]

OUT\_SCALE:  
 EU at 100% = 15  
 EU at 0% = 3  
 Units Index = psi  
 Decimal point = 2

The output value of this example is:  
 $OUT = 31.25 / 100 * (15 - 3) + 3 = 6.75$  psi

## Modbus Scale Conversion

The Modbus function blocks can read and write digital and analogical data of other Modbus slave or master devices. For each configured analogical point, which for Modbus reading or writing, it is associated a scale conversion parameter. The parameters and blocks which have Modbus conversion scale are: MBCM.IN\_x, MBCS.IN\_x, MBCS.OUT.x, MBSM.PVALUE\_x, which x=1, 2, until the point limit of that block.

The scale conversion for the Modbus protocol has two purposes:

- Conversion from the Fieldbus analogical value to Modbus value expressed in Engineering Units.
- Conversion from the Modbus analogical value to the Fieldbus value in Engineering Units.

The scale parameters are defined in the data structures DS\_256, DS\_257, DS\_258, and DS\_259 (see the item "Data Structure") and they are composed by the following fields:

- FROM\_EU\_100% - defines the higher input unit value (actual data unit).
- FROM\_EU\_0% - defines the lower input unit value (actual data unit).
- TO\_EU\_100% - defines the higher output unit value (desired data unit).
- TO\_EU\_0% - defines the lower output unit value (desired data unit).
- Data Type – data type which it desires to convert from or to Modbus (in the Fieldbus the data always will be float). The table with the supported data type is below:

| Number of Data Type | Data Type          |
|---------------------|--------------------|
| 1                   | Float              |
| 2                   | Unsigned8          |
| 3                   | Unsigned16         |
| 4                   | Unsigned32         |
| 5                   | Integer8           |
| 6                   | Integer16          |
| 7                   | Integer32          |
| 8                   | Swapped.Float      |
| 9                   | Swapped.Unsigned8  |
| 10                  | Swapped.Unsigned16 |
| 11                  | Swapped.Unsigned32 |
| 12                  | Swapped.Integer8   |
| 13                  | Swapped.Integer16  |
| 14                  | Swapped.Integer32  |

### Note

In despite of there are different data structures which have scale conversion, they follow the same conversion procedure.

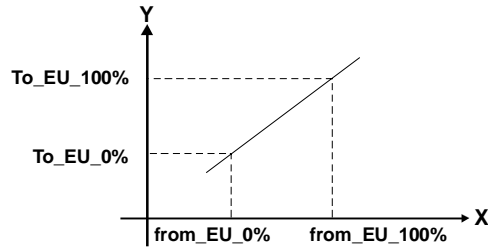
### Procedure to handle the conversion from FF parameter to Modbus variable

- Load INx\_VALUE.
- Calculate  $Y = (A * INx\_VALUE + B)$ .
- Convert Y to DATA\_TYPE\_IN, generating MOD\_VAR\_IN.
- Write MOD\_VAR\_IN.



**Procedure to handle the conversion from Modbus variable to FF parameter:**

- Read MOD\_VAR\_OUT.
- Convert MOD\_VAR\_OUT to float, generating Y
- Calculate  $OUTx\_VALUE = (A * Y + B)$ .
- Store  $OUTx\_VALUE$ .



Where:

$$A = (To\_EU\_100\% - To\_EU\_0\%) / (From\_EU\_100\% - From\_EU\_0\%)$$

$$B = To\_EU\_0\% - A * From\_EU\_0\%;$$

IN\_VALUE, OUT\_VALUE: FF parameters

MOD\_VAR\_IN, MOD\_VAR\_OUT: Modbus variables

Y: auxiliary float variable

Below, there are examples using the Modbus scale conversion.

**1) Conversion from Modbus to Fieldbus**

It considers a Modbus Slave device which has an analogical value of temperature in percentage (0-10000) with the data type Integer 2 bytes. It desired to use the value in Fieldbus in Celsius degree (0-500). It uses the Master Control Block Modbus (MBCM).

A) In the MBCM block, the scale is configured (OUT\_1.SCALE\_LOC\_OUT\_1) of the following form:

- FROM\_EU\_100% = 10000
- FROM\_0% = 0
- TO\_EU\_100% = 500
- TO\_EU\_0% = 0
- DATATYPE = Integer16

B) The MBCM block reads the Modbus data from the slave and stores in MOD\_VAR\_OUT. Thus, it converts the Y value. For last, it calculates the OUT output using the equation  $OUT = A * Y + B$ . Using the values from the example above and considering the actual value of temperature is 6000, it has:

$$MOD\_VAR\_OUT = 6000 \text{ (value read from Modbus)}$$

And following the equations showed above:

$$A = (TO\_EU\_100\% - TO\_EU\_0\%) / (From\_EU\_100\% - From\_EU\_0\%)$$

$$A = (500 - 0) / (10000 - 0) = 0.05$$

$$B = TO\_EU\_0\% - A * From\_EU\_0\%$$

$$B = 0 - (0.05 * 0) = 0$$

$$OUT = A * Y + B$$

$$OUT = 0.05 * Y$$

$$OUT = 0.05 * 6000 = 300$$

The OUT output value for this example will be:

$$OUT = 300 [^{\circ}C]$$

**2) Conversion from Fieldbus to Modbus**

It considers the DFI is the Modbus slave equipment and it desires to become available one temperature analogical value from one TT302, range 0-500 [°C] for a Modbus master in the range 4-20 [mA] with the data type integer 2 bytes. Using the Modbus Block Control Slave (MBCS).

- A) In the MBCS block, the scale is configured (IN\_1.SCALE\_CONV\_IN\_1) of the following form:
- FROM\_EU\_100% = 500
  - FROM\_0% = 0
  - TO\_EU\_100% = 20
  - TO\_EU\_0% = 4
  - DATATYPE = Integer16

B) The MBCS block reads the data from the Fieldbus in the IN input and stores in IN\_VALUE. It calculates the Y value following the equation  $Y = A * IN\_VALUE + B$ . Thus, it converts the value to the DATATYPE specified and saves in MOD\_VAR\_IN which it will be the value to be sent to the Modbus.

Using the values from the example above and considering the actual value of temperature is 300, it has:

$$IN\_VALUE = 300 \text{ (value read from TT302)}$$

And following the equations showed above:

$$A = (TO\_EU\_100\% - TO\_EU\_0\%) / (From\_EU\_100\% - From\_EU\_0\%)$$
$$A = (20 - 4) / (500 - 0) = \mathbf{0,032}$$

$$B = TO\_EU\_0\% - A * From\_EU\_0\%$$
$$B = 4 - (0,032 * 0) = \mathbf{4}$$

$$MOD\_VAR\_IN = A * IN\_VALUE + B$$
$$MOD\_VAR\_IN = 0.032 * 300 + 4$$
$$MOD\_VAR\_IN = 13.6$$

The value of the Modbus variable read (after the conversion to integer) for this example will be:

$$OUT = 14 \text{ [mA]}$$

## Fault State Handling

### A) Definition

The Fault State is a special state that allows the output block to do safe action when it has been detected an abnormal situation or the user set to Fault State in the Resource block.

The abnormal situation occurs to there is an unusable input (bad sensor, for example) or the loss of the communication between function blocks longer than a specified time (FSTATE\_TIME).

The blocks that support cascade control (as PID, OSDL and SPLT) propagate the fault state status forward to the output block.

When the condition that activated the Fault State is normalized, the Fault State is cleared and the block returns to the normal operation.

### B) Generate the Initiate Fault State status (The fault was detected by the own block)

Blocks like PID, OSDL and SPLT may be configured to send an Initiate Fault State (IFS) status when they detect an unusable input. The bit "IFS if bad IN" and/or the bit "IFS if bad CAS\_IN" in the STATUS\_OPTS or OSDL\_OPTS parameters must be true to generate an IFS status when the corresponding input is unusable.

### C) Propagate the Initiate Fault State status (The fault occurred in the upstream block)

The blocks that support the cascade control have special handling to propagate the fault to the downstream blocks till the output block.

When the block, that is in cascade mode (Cas, RCas), receives an Initiate Fault State (IFS) status, then this status will be reported to forward path. For example, it considers a PID block that is receiving a "Good Cascade IFS" status in CAS\_IN input. If the target mode of the PID is Cas, then the IFS status will be the status of OUT, replacing the normal status. Otherwise, the IFS status will not be propagated forward.

#### D) Using the Resource Block to activate the Fault State

The Fault State of the Resource block forces all output function blocks into the device to go immediately to the fault state condition. The Resource block has some parameters that define the fault state behavior:

- FEATURES\_SEL – The “Fault State supported” bit is used to enable the Fault State characteristic into the Resource block. The default value is disabled.
- FAULT\_STATE – It only indicates the Fault State in the Resource block, not in individual output block. For example, if an AO block is in Fault State because its CAS\_IN input is bad, the FAULT\_STATE parameter will not be active.
- SET\_FSTATE – The user may force FAULT\_STATE to active by setting this parameter to On.
- CLEAR\_FSTATE – The user may force FAULT\_STATE to clear by setting this parameter to On.

### **Fault State Active**

When the Output Function Blocks detects an abnormal condition, the block goes to a fault state. The abnormal conditions are:

- Loss of communication to CAS\_IN for a time that exceeds FSTATE\_TIME;
- IFS status in the CAS\_IN input when the target mode is Cas, for a time that exceeds FSTATE\_TIME;
- IFS status in the RCAS\_IN when the target mode is Rcas, for a time that exceeds FSTATE\_TIME;
- The FAULT\_STATE parameter of the Resource block is Active because the user set to on the SET\_FSTATE parameter and the bit “Fault State supported” in the FEATURES\_SEL is true.

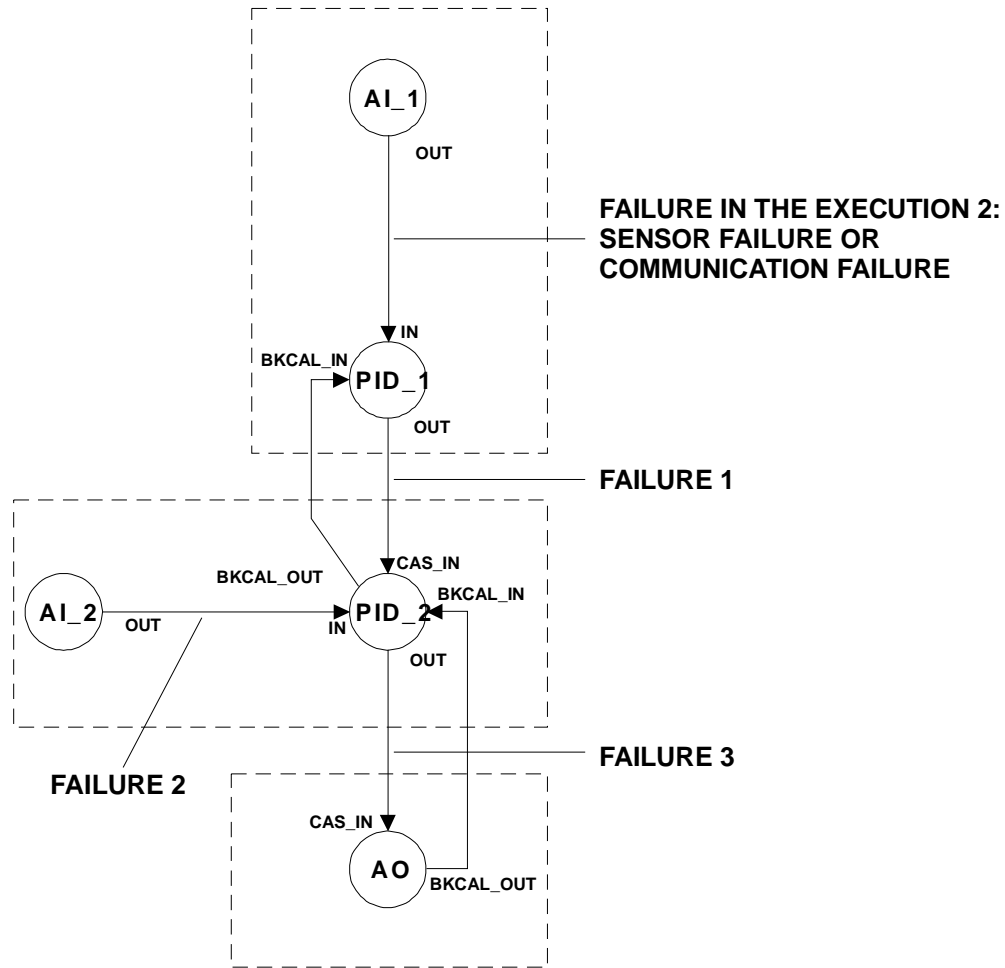
When the output block is in the Fault State the output may retain the last value or goes to the preset value determined by the FSTATE\_VAL. The default is retaining the last value. The output goes to the preset value if the bit “Fault State to value” in the IO\_OPTS is true.

When the Fault State is active then the actual mode of the output block goes to Local Override (LO). In the backward path, the block sends the Not Invited (NI) status to indicate that the block is in “Fault State”.

Optionally, the target mode of the output block will be changed to Manual by the block algorithm when the Fault State is active. In order to set this characteristic, the “Target to Man if Fault State activated” bit in IO\_OPTS needs to be true.

#### **Examples**

The following control loop must be considered for the examples below. The below tables show the sequence of status exchange between the PID\_1



The Master, PID\_2 Slave and AO blocks are in a fault and normal condition.

The status of PID\_1.IN becomes bad in the execution 2, which may be due to a Bad-Sensor Failure detected by the AI\_1 or a communication failure between AI\_1.OUT and PID\_1.IN. The PID\_2 Slave only propagates the status forward. The AO block receives the IFS status and active the Fault State. In the safety condition the preset value of the FSTATE\_VAL is used to the output of the AO block. After the execution 6, the bad status in the IN of the PID master is cleared and the loop returns to normal operation.

**PID 1 – Master**  
 STATUS\_OPTS = "IFS if Bad IN"

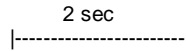
| Execution | 1    | 2   | ... | 4   | 5   | 6    | 7    | 8    | 9    | 10   | 11   |
|-----------|------|-----|-----|-----|-----|------|------|------|------|------|------|
| Target    | Auto |     |     |     |     |      |      |      |      |      |      |
| IN        | GNC  | Bad | ... | Bad | Bad | Bad  | Bad  | GNC  | GNC  | GNC  | GNC  |
| BKCAL_IN  | GC   | GC  | ... | GC  | GC  | NI   | NI   | NI   | NI   | NI   | IR   |
| Actual    | Auto | Man | ... | Man | Man | Iman | Iman | Iman | Iman | Iman | Iman |
| OUT       | GC   | IFS | ... | IFS | IFS | IFS  | IFS  | GC   | GC   | GC   | IA   |

**PID 2 – Slave**

|           |     |     |     |     |      |      |      |      |      |     |     |
|-----------|-----|-----|-----|-----|------|------|------|------|------|-----|-----|
| Execution | 1   | 2   | ... | 4   | 5    | 6    | 7    | 8    | 9    | 10  | 11  |
| Target    | Cas |     |     |     |      |      |      |      |      |     |     |
| CAS_IN    | GC  | IFS | ... | IFS | IFS  | IFS  | GC   | GC   | GC   | IA  | GC  |
| BKCAL_IN  | GC  | GC  | ... | GC  | NI   | NI   | NI   | IR   | GC   | GC  | GC  |
| Actual    | Cas | Cas | ... | Cas | Iman | Iman | Iman | Iman | Auto | Cas | Cas |
| OUT       | GC  | IFS | ... | IFS | IFS  | IFS  | GC   | IA   | GC   | GC  | GC  |
| BKCAL_OUT | GC  | GC  | ... | GC  | NI   | NI   | NI   | NI   | IR   | GC  | GC  |

**AO**

FSTATE\_VAL = 100  
 FSTATE\_TIME = 2 sec  
 IO\_OPTS = "Fault State to value"  
 PV\_SCALE (E0%-E100%)=0-100  
 XD\_SCALE (E0%-E100%)= 4-20



|           |     |     |     |     |     |     |     |      |     |     |     |
|-----------|-----|-----|-----|-----|-----|-----|-----|------|-----|-----|-----|
| Execution | 1   | 2   | 3   | 4   | 5   | 6   | 7   | 8    | 9   | 10  | 11  |
| Target    | Cas |     |     |     |     |     |     |      |     |     |     |
| CAS_IN    | GC  | IFS | IFS | IFS | IFS | IFS | IFS | GC   | IA  | GC  | GC  |
| SP        | GC  | IFS | IFS | IFS | IFS | IFS | IFS | GC   | IA  | GC  | GC  |
| Actual    | Cas | Cas | Cas | LO  | LO  | LO  | LO  | Auto | Cas | Cas | Cas |
| OUT       | GC  | GC  | GC  | GC  | GC  | GC  | GC  | GC   | GC  | GC  | GC  |
| BKCAL_OUT | GC  | GC  | GC  | NI  | NI  | NI  | NI  | IR   | GC  | GC  | GC  |

Other link failures in the forward path could force the AO into Fault State since the configuration is as it follows:

- Failure 1) **PID\_1.OUT to PID\_2.CAS\_IN**: PID\_2.STATUS\_OPTS = "IFS if Bad CAS\_IN"
- Failure 2) **AI\_2.OUT to PID\_2.IN**: PID\_2.STATUS\_OPTS = "IFS if Bad IN"
- Failure 3) **PID\_2.OUT to AO.CAS\_IN**: No configuration is required for the AO block to force it to Fault State.

*Note:*

- FSTATE\_VAL has the same engineering unit of SP. Therefore it is using the PV\_SCALE, not the XD\_SCALE.
- When the Resource block forces all output blocks to Fault State, the FSTATE\_TIME is not used.

**Alarms and Events – Alert Processing**

Alarms and events, known as alerts, represent state changes within function block applications. In detection of a significant event, a function block may report this event to an interface device or other field devices.

Alarms refer not only to the comparison between a variable and a limit, but also what is called block alarm, that is used to report errors found in the software and/or hardware during block execution.

For alarms, both entering and exiting alarm condition are defined as an alert state, which will cause a report message to be published onto the network. The time at which the alert state was detected is included as a time stamp in the alert message. The reporting of alerts may be individually suppressed by setting the corresponding priority.

Update event is a mechanism used to inform an interface device that a static parameter was changed so the parameter is read only in this case. It is a much optimized way to keep track of such kind of parameters without doing polling, because these parameters are changed very rarely compared with dynamic parameters.

**a) Alarm parameter (X\_ALM parameter)**

The alarm parameter is provided in a block to capture the dynamic information associated with an alarm. The information contained in the alarm parameter is transferred to an alert object when the alarm is reported. The following fields form the alarm parameter:

- Unacknowledged
- Alarm state
- Time stamp
- Subcode
- Value

Each one of these fields is explained below.

**Unacknowledged**

When it is detected a positive transition of alarm state (entering in alarm active), it will be set to Unacknowledged. This field is set to Acknowledged when the plant operator acknowledges the alarm through the interface device, which is responsible for alarm management.

It is possible to configure the auto-acknowledgement feature for each type of alarm for the block through the ACK\_OPTION parameter. If a positive transition of alarm type happens and the corresponding bit in the ACK\_OPTION is true, then it will not be required an operator plant acknowledgement.

The other form to auto-acknowledge the alarm notice is configuring the alert-priority of the respective alarm to 0, 1 or 2. The alert-priority will be discussed later.

Unacknowledged will have the following enumerations:

- 0 = Undefined
- 1 = Acknowledged
- 2 = Unacknowledged

**Alarm state**

This field gives an indication of whether the alert is active and whether it has been reported. The Alarm State will have the following bit enumeration:

- 1 – Clear-Reported
- 2 – Clear-Not Reported
- 3 – Active-Reported
- 4 – Active-Not Reported

The alarm state is cleared when the block goes to Out of service mode.

**Time stamp**

Time stamp is the time when the change in alarm state was detected that is unreported. This value will be maintained constant until alert confirmation has been received.

**Sub code**

This field contains an enumeration specifying the cause of the alert to be reported.

**Value**

The value of the associated parameter at the time the alert was detected.

**b) Alarm limit (X\_LIM parameter)**

An analog alarm occurs when a value meets or exceeds a limit. For a high alarm, an alarm is true when the analog value is greater than the limit. The status of the alarm remains true until the value drops below the limit minus the alarm hysteresis.

The alarm type can be disabled setting its respective alarm limit parameter to +/- infinity, which is the default of all alarm limits.

The analog parameter compared to alarm limit depends on the block type:  
PID: PV and (PV-SP), regardless of CONTROL\_OPTS.Direct acting  
Analog alarm: PV

AI: OUT  
Setpoint generator: BKCAL\_IN – OUT

**c) Alarm hysteresis (ALARM\_HYS parameter)**

Amount the PV or OUT must return within the alarm limits before the alarm condition clears. Alarm Hysteresis is expressed as a percent of the PV/OUT span.

The span used depends on the block type:  
PID: PV\_SCALE  
AI, Setpoint generator, Analog alarm: OUT\_SCALE

**d) Alert Priority (X\_PRI parameter)**

The alert priority is a parameter, which may be used to configure the priority value assigned to an alarm or event.

The Alert Priority can be:  
0-1 – The associated alert is not sent as a notification. The priority is above 1, and then the alert must be reported. This priority is auto-acknowledged.  
2 – Reserved for alerts that do not require the attention of a plant operator. Block alarm and update event have this priority. This priority is auto-acknowledged.  
3-7 – Advisory Alarms. In this priority is necessary to send an acknowledged.  
8-15 – Critical Alarms. In this priority is necessary to send an acknowledged.

**e) Alert key (ALERT\_KEY parameter)**

It is an identification number of the plant unit. This information may be used in the host for sorting alarms, etc.

**f) Alarm Summary (ALM\_SUM parameter)**

The parameter Alarm Summary summarizes the status of up to 16 process alarms of the same block. It has four attributes:

- Current Alarms - the Active status of each alarm.
- Unacknowledged - the Unacknowledged status of each alarm.
- Unreported - the Unreported status of each alarm.
- Disabled – it allows Enable/Disable each type of alarm.

**g) ACK\_OPTION parameter**

Selection of whether alarms associated with the block will be automatically acknowledged.  
Bit = 0 -> auto-acknowledgment disabled  
Bit = 1 -> auto-acknowledgment enabled

| Bit | Description   | Meaning              |                |
|-----|---------------|----------------------|----------------|
|     |               | Function Blocks      | Resource Block |
| 0   | Unack Alarm1  | Discrete alarm       | Write Alm      |
| 1   | Unack Alarm2  | High High alarm      |                |
| 2   | Unack Alarm3  | High alarm           |                |
| 3   | Unack Alarm4  | Low Low alarm        |                |
| 4   | Unack Alarm5  | Low alarm            |                |
| 5   | Unack Alarm6  | Deviation High alarm |                |
| 6   | Unack Alarm7  | Deviation Low alarm  |                |
| 7   | Unack Alarm8  | Block alarm          | Block alarm    |
| 8   | Unack Alarm9  | Not used             |                |
| 9   | Unack Alarm10 | Not used             |                |
| 10  | Unack Alarm11 | Not used             |                |
| 11  | Unack Alarm12 | Not used             |                |
| 12  | Unack Alarm13 | Not used             |                |
| 13  | Unack Alarm14 | Not used             |                |
| 14  | Unack Alarm15 | Not used             |                |
| 15  | Unack Alarm16 | Not used             |                |

**Association of bit number to alarm type**

The correspondent bits for each type of alarm in the ACK\_OPTION are the same of that defined for ALARM\_SUM except for the Resource block. The ACK\_OPTION of the Resource block has a different association of bit number to alarm type from the previous table; its special meaning is described below:

Unack Alarm1 – Writes have been enabled (WRITE\_ALM)

Unack Alarm8 – Block Alarm (BLOCK\_ALM)

**h) FEATURES\_SEL parameter**

It is a resource block parameter that has an element to enable/disable alert report for the whole resource, “report supported”.

**i) CONFIRM\_TIME parameter**

A reply is required that confirms receipt of the alert notification. If the reply is not received within a time-out period (CONFIRM\_TIME), the alert will be re-transmitted. It is a resource block parameter, so it is valid for all alert of that resource.

Therefore the alarm parameter is a structured object, which is defined in conjunction with other parameters:

- Enable / disable alarm evaluation:

ALARM\_SUM: enable/disable each alarm type for a specific block.

X\_LIM: it is possible to disable the alarm evaluation by setting the limit to +INF or -INF.

- Enable / disable alarm report:

FEATURES\_SEL: setting the bit “report supported” enables alarm report for the whole resource

X\_PRI: besides configuring the FEATURES\_SEL, it is necessary to set the priority of alarm greater than or equal to 2 to enable the alarm report.

- Auto-acknowledgment:

X\_PRI: the corresponding alarm will be auto-acknowledged if the alarm priority is 0, 1 or 2

ACK\_OPTION: this parameter makes possible to enable/disable auto-acknowledgment for each alarm type, regardless the configuration of X\_PRI.

The information contained in the alarm parameter is transferred to an alert object when the alarm is reported (if it is enabled) to an interface device. As an example, the following parameters are used to configure the Low Low Alarm of the PID block: LO\_LO\_PRI (alarm priority), LO\_LO\_LIM (limit parameter) and LO\_LO\_ALM (alarm parameter), ALARM\_SUM, ACK\_OPTION.



Summarizing, the function block detects the alarm condition. The communication stack is responsible to send the alert report to the interface device, which must reply to device, otherwise the alert report will be re-transmitted after a timeout defined by CONFIRM\_TIME. The alarm configuration (ACK\_OPTION and priority) may require that a plant operator acknowledge it even though the condition has cleared.

**j) Example of analog alarm**

It follows an example of AI block alarm configuration, which illustrates how is the alarm processing as well the corresponding alert report.

RS parameter:

FEATURES\_SEL = Reports supported

CONFIRM\_TIME = 640 000 (20 seconds, multiple of 1/32 milliseconds)

AI parameters:

ALERT\_KEY = 12 (this value could be related to a boiler, for example, therefore any alert received by interface device with this alert key means an alert in that boiler)

OUT\_SCALE.EU at 100% = 200

OUT\_SCALE.EU at 0% = 0

HI\_LIM = 190

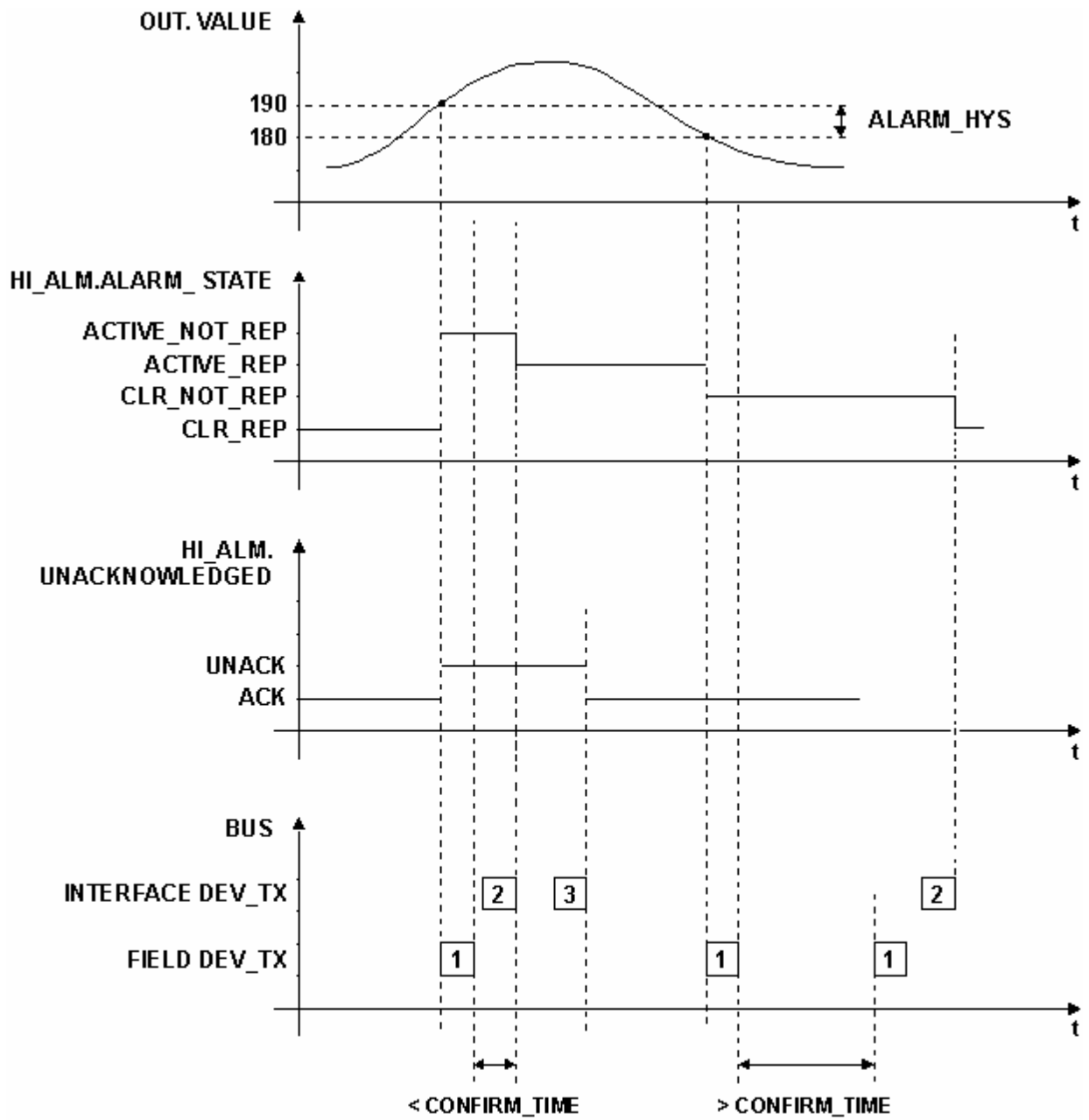
HI\_PRI = 4

ALARM\_HYS = 5%

ALARM\_SUM.DISABLED = Discrete, HiHi, LoLo, Lo, DevHi, DevLo, BlockAlm

ACK\_OPTION = 0x00

Only the high alarm is enabled in ALARM\_SUM.DISABLED and it is disabled the auto-acknowledgement (HI\_PRI=4 and bit reset in ACK\_OPTION), therefore it is necessary an operator plant intervention.



- MESSAGE 1: ALERT NOTIFY
- MESSAGE 2: ALERT NOTIFY - CONFIRMATION
- MESSAGE 3: ALERT ACK (OPERATOR PLANT INTERVENTION)

Fig. 2 – Alert processing

**k) Block alarm (BLOCK\_ALM parameter)**

The block alarm is used for all configuration, hardware, connection failure or system problems in the block. These problems detected by the block algorithm are registered in the BLOCK\_ERR parameter, which is a bit string, so that multiple errors may be shown.

Block error conditions is defined (0= inactive, 1 = active) as follows:

| Bit | Description                                    |
|-----|--|
| 0   | Other (LSB)                                    |
| 1   | Block Configuration Error                      |
| 2   | Link Configuration Error                       |
| 3   | Simulate Active                                |
| 4   | Local Override                                 |
| 5   | Device Fail Safe Set                           |
| 6   | Device Needs Maintenance Soon                  |
| 7   | Input Failure/ process variable has BAD status |
| 8   | Output Failure                                 |
| 9   | Memory Failure                                 |
| 10  | Lost Static Data                               |
| 11  | Lost NV Data                                   |
| 12  | Readback Check Failed                          |
| 13  | Device Needs Maintenance Now                   |
| 14  | Power-up                                       |
| 15  | Out-of-Service (MSB)                           |

The cause of the alert is entered in the Subcode field of BLOCK\_ALM, for example, value 3 means Simulate Active. The first condition to become active will set to Active the Alarm State attribute, if other conditions also become active, no alert will be sent. When all conditions become inactive, then an alert with Clear will be reported.

Block alarm has a fixed priority of 2, therefore it is auto-acknowledged (no operator plant intervention is required).

**l) Update Event (UPDATE\_EVT parameter)**

The update event parameter is provided in a block to capture the dynamic information associated with a write to a static parameter within the block. An update alert object transfers the information contained in the update event parameter when the alert is reported.

The index of the changed parameter (relative to the start of the function block in the OD) and the new static revision level (ST\_REV) are also included in the alert message.

Update event has a fixed priority of 2, therefore it is auto-acknowledged (no operator plant intervention is required).

**Simulation**

All input and output class function blocks have a SIMULATE or SIMULATE\_D or SIMULATE\_P parameter, which has a pair of status and values, and an enable switch. This parameter acts as a switch at the interface between the I/O function block and the associated transducer block or hardware channel.

**Enable simulation**

The simulate jumper must be ON to enable simulation in the SIMULATE (SIMULATE\_D or SIMULATE\_P) parameter.

The BLOCK\_ALM and BLOCK\_ERR parameters will show the simulation condition (enable or disable). Such parameters in the Resource Block (RS) will indicate the condition of simulate jumper, while in the Input/Output Function Blocks they will indicate the enable switch condition in the SIMULATE (SIMULATE\_D or SIMULATE\_P) parameter.

**Simulation disabled**

When disabled, the SIMULATE. Simulate Value and Status will track SIMULATE. Transducer Value and Status in order to provide a bumpless transfer from disabled to enabled. The parameter will always initialize to disabled and will be stored in dynamic memory.

**Input Function Block (AI, DI, PUL)**

The SIMULATE. Transducer Status and SIMULATE.Transducer Value come from the transducer block or input channel, and contain what will be sent to the input block if the switch is off (disabled). The SIMULATE.Simulate Value and SIMULATE.Simulate Status are presented to the input block when the enable switch is on, and the transducer block or input channel is ignored. The status can be used to simulate transducer faults. The transducer value and status will always be written with transducer data at each evaluation of the input function block.

| Simulation condition | Action   |
|----------------------|--|
| <b>Enable</b>        | SIMULATE.Simulate Value and Status -> PV (after scaling, linearization and filtering)  |
| <b>Disable</b>       | SIMULATE.Transducer Value and Status -> PV (after scaling, linearization and filtering) and SIMULATE.Simulate Value and Status |

**Output Function Block (AO, DO)**

The SIMULATE.Simulate Value and SIMULATE.Simulate status become the READBACK value and status when the enable switch is on, and the transducer block is ignored. The status can be used to simulate transducer faults. The transducer attribute value and status reflect the transducer readback value and status when simulation is enabled and the transducer maintains last output and ignores the OUT of the Output block.

| Simulation condition | Action  |
|----------------------|---|
| <b>Enable</b>        | SIMULATE.Simulate Value and Status -> READBACK  |
| <b>Disable</b>       | SIMULATE.Transducer Value and Status -> READBACK and SIMULATE.Simulate Value and Status |

## CHANNEL configuration

The CHANNEL parameter configuration depends on the device features as it follows:

**a) Fixed I/O device:** This type of device has a fixed number of I/O. All Smar field devices belong to this class.

The channel is numbered from 1 to the maximum number of I/O.

The DC302 has specific rules to set the CHANNEL parameter as it follows:

- DI and DO Blocks: group A has inputs numbered from 1 to 8 and group B has inputs numbered from 9 to 16.

- MDI and MDO Blocks: the whole group A is selected setting CHANNEL to 1, and group B to 2.

**b) Configurable I/O device:** The user may configure the number of I/O modules as well the I/O type (input or output, discrete, analog, pulse...). The DFI302 is the only device classified as a configurable I/O device.

All I/O modules have the I/O points arranged as it follows:

- Point (P): Ordinal number of I/O point in a group, it is numbered from 0 (first point) to 7(last point in the group), and 9 means the whole group of points. The whole group may have 4 or 8 points of I/O.

- Group (G): Ordinal number of group in the specified I/O module, it is numbered from 0 (first group) till number of groups minus 1. The I/O points are arranged in groups of 8 points, regardless how they are grouped for electrical isolation.

If the I/O type is "8- discrete input/4- discrete output", the inputs belong to the group 0 and the outputs belong to the group 1.

- Slot (S): One slot supports one I/O module, and it is numbered from 0 (first slot in the rack) till 3 (last slot in the rack).

- Rack (R): Each rack has four slots. The rack is numbered from 0 (first rack) till 14 (last rack). Therefore a single I/O point in the DFI302 may be identified by specifying the rack (R), slot (S), group (G) and point (P). As the CHANNEL parameter in the multiple I/O blocks (MIO) must specify the whole group (8 points), the point must be 9, which mean the whole group.

The value in the CHANNEL parameter is composed by those elements in the following form: RRS GP.

For example, a CHANNEL parameter equals to 1203, it means rack 1, slot 2, group 0 and point 3. If CHANNEL parameter of a MAI block is 10119, it means rack 10, slot 1, group 1 and point 9 (whole group).

Before setting the CHANNEL parameter, it is recommended to configure the hardware in the HC block. Because the write check will verify if the I/O type configured in the HC block is suitable for block type. Therefore setting the CHANNEL parameter of AI block to access an I/O type different of analog input will be rejected.

## **Block Instantiation**

Before explaining block instantiation it is better to clarify some concepts:

**Block type:** It is an algorithm to process the input parameters based on the configuration in the contained parameters, then it generates the outputs. It includes also method to write/read the parameters, DD and others. Indeed all this information are stored in Flash memory of device, therefore one device type has a predefined set of block type available in its firmware.

**Block (block instance):** It is a block type associated to a database where the block parameters are stored (RAM and non-volatile memory).

**Action Object:** Through the action object, a block may be instantiated (created) or deleted. Before instanting a block, it will be checked if the device supports the specified block type as well if there is available RAM and non-volatile memory to store the parameters.

All Smar devices support block instantiation and the Block Library (set of block type) for each type of device is shown in the item "Block type availability and initial block set".

## **Order of Parameters during Download**

Some block parameters have a write check based on the value of others parameters. Such relationships are shown in the block parameter table of each block type in the columns "Valid Range" and "Store/Mode".

It follows the most common parameter relationship used in write check:

- It is required a mode to write the parameter.
- The valid range depends on a scale parameter
- For configurable I/O device, the CHANNEL parameter depends on the hardware configuration in the HC block.

Due to these relationships between parameters in the write check, some times it is necessary to take care about the order of parameters during a download of configuration.

The Smar configuration tool Syscon always sends the command to write in the MODE\_BLK parameter as last one for that block, it is enough to avoid a lot of problems in the download. The user must observe the other cases and may change the parameter order easily using drag and drop in Syscon.

## Data Type and Data Structure Definition

In this section are defined every data structure and data types used in the system.

| Object Index | Data Type      | Description   |
|--------------|----------------|---|
| 1            | Boolean        | True or false   |
| 2            | Integer8       | 1 byte  |
| 3            | Integer16      | 2 bytes   |
| 4            | Integer32      | 4 bytes   |
| 5            | Unsigned8      | 1 byte  |
| 6            | Unsigned16     | 2 bytes   |
| 7            | Unsigned32     | 4 bytes   |
| 8            | FloatingPoint  | *   |
| 9            | VisibleString  | They are one byte per character, and include the 7 bit ASCII character set. |
| 10           | OctetString    | Octet strings are binary.   |
| 11           | Date           | Date and hour – 7 bytes   |
| 12           | TimeofDay      | Time in millisecond elapsed in the day – 6 bytes                            |
| 13           | TimeDifference | Time difference – 6 bytes   |
| 14           | BitString      | *   |
| 21           | TimeValue      | Integer – 8 bytes<br>It represents the date/hour to synchronize the clock.  |

- Date:
  - Date (3 bytes) – Format#Year#Month#(Week Day and Month Day)
  - Hour (4 bytes) – Format: HH#MM#MSEG
- TimeofDay:
  - Time (4 bytes) – It counted in milliseconds from the Zero hour of the day.
  - Date (3 bytes) – It counted in days related to the January, 1, 1984.
- TimeDifference: The structure is the same of the TimeofDay.
- TimeValue: It used to represent Date and Hour to synchronize the clock. It is an integer with 8 bytes in the base of 1/32 milliseconds.

### Block Structure – DS-64

This data structure consists of the attributes of a block.

| E | Element Name         | Data Type     | Size |
|---|----------------------|---------------|------|
| 1 | Block Tag            | VisibleString | 32   |
| 2 | DD MemberId          | Unsigned32    | 4    |
| 3 | DD ItemId            | Unsigned32    | 4    |
| 4 | DD Revision          | Unsigned16    | 2    |
| 5 | Profile              | Unsigned16    | 2    |
| 6 | Profile Revision     | Unsigned16    | 2    |
| 7 | Execution Time       | Unsigned32    | 4    |
| 8 | Period of Execution  | Unsigned32    | 4    |
| 9 | Number of Parameters | Unsigned16    | 2    |

| E  | Element Name            | Data Type  | Size |
|----|-------------------------|------------|------|
| 10 | Next FB to Execute      | Unsigned16 | 2    |
| 11 | Starting Index of Views | Unsigned16 | 2    |
| 12 | NumberofVIEW_3          | Unsigned8  | 1    |
| 13 | NumberofVIEW_4          | Unsigned8  | 1    |

### Value & Status - Floating Point Structure – DS-65

This data structure consists of the value and status of floating point parameters that are Inputs or Outputs.

| E | Element Name | Data Type | Size |
|---|--------------|-----------|------|
| 1 | Status       | Unsigned8 | 1    |
| 2 | Value        | Float     | 4    |

### Value & Status - Discrete Structure – DS-66

This data structure consists of the value and status of discrete value parameters.

| E | Element Name | Data Type | Size |
|---|--------------|-----------|------|
| 1 | Status       | Unsigned8 | 1    |
| 2 | Value        | Unsigned8 | 1    |

### Scaling Structure – DS-68

This data structure consists of the static data used to scale floating point values for display purposes.

| E | Element Name  | Data Type  | Size |
|---|---------------|------------|------|
| 1 | EU at 100%    | Float      | 4    |
| 2 | EU at 0%      | Float      | 4    |
| 3 | Units Index   | Unsigned16 | 2    |
| 4 | Decimal Point | Integer8   | 1    |

### Mode Structure – DS-69

This data structure consists of bit strings for target, actual, permitted, and normal modes.

| E | Element Name | Data Type | Size |
|---|--------------|-----------|------|
| 1 | Target       | Bitstring | 1    |
| 2 | Actual       | Bitstring | 1    |
| 3 | Permitted    | Bitstring | 1    |
| 4 | Normal       | Bitstring | 1    |

### Access Permissions – DS-70

This data structure consists of access control flags for access to block parameters.

| E | Element Name | Data Type  | Size |
|---|--------------|------------|------|
| 1 | Grant        | Bit String | 1    |
| 2 | Deny         | Bit String | 1    |

### Alarm Float Structure – DS-71

This data structure consists of data that describes floating point alarms.

| E | Element Name   | Data Type  | Size |
|---|----------------|------------|------|
| 1 | Unacknowledged | Unsigned8  | 1    |
| 2 | Alarm State    | Unsigned8  | 1    |
| 3 | Time Stamp     | Time Value | 8    |
| 4 | Subcode        | Unsigned16 | 2    |
| 5 | Value          | Float      | 4    |

### Alarm Discrete Structure – DS-72

This data structure consists of data that describes discrete alarms.

| E | Element Name   | Data Type  | Size |
|---|----------------|------------|------|
| 1 | Unacknowledged | Unsigned8  | 1    |
| 2 | Alarm State    | Unsigned8  | 1    |
| 3 | Time Stamp     | Time Value | 8    |
| 4 | Subcode        | Unsigned16 | 2    |
| 5 | Value          | Unsigned8  | 1    |

### Event Update Structure – DS-73

This data structure consists of data that describes a static revision alarm.

| E | Element Name    | Data Type  | Size |
|---|-----------------|------------|------|
| 1 | Unacknowledged  | Unsigned8  | 1    |
| 2 | Update State    | Unsigned8  | 1    |
| 3 | Time Stamp      | Time Value | 8    |
| 4 | Static Revision | Unsigned16 | 2    |
| 5 | Relative Index  | Unsigned16 | 2    |

### Alarm Summary Structure – DS-74

This data structure consists of data that summarizes 16 alerts.

| E | Element Name   | Data Type  | Size |
|---|----------------|------------|------|
| 1 | Current        | Bit String | 2    |
| 2 | Unacknowledged | Bit String | 2    |
| 3 | Unreported     | Bit String | 2    |
| 4 | Disabled       | Bit String | 2    |

### Simulate - Floating Point Structure – DS-82

This data structure consists of simulate and transducer floating point value and status and a simulate enable/disable discrete.

| E | Element Name    | Data Type | Size |
|---|-----------------|-----------|------|
| 1 | Simulate Status | Unsigned8 | 1    |
| 2 | Simulate Value  | Float     | 4    |



| E | Element Name        | Data Type | Size |
|---|---------------------|-----------|------|
| 3 | Transducer Status   | Unsigned8 | 1    |
| 4 | Transducer Value    | Float     | 4    |
| 5 | Simulate En/Disable | Unsigned8 | 1    |

### Simulate - Discrete Structure – DS-83

This data structure consists of a simulator, and discrete value and status transducer, and a discrete enable/disable simulator.

| E | Element Name        | Data Type | Size |
|---|---------------------|-----------|------|
| 1 | Simulate Status     | Unsigned8 | 1    |
| 2 | Simulate Value      | Unsigned8 | 4    |
| 3 | Transducer Status   | Unsigned8 | 1    |
| 4 | Transducer Value    | Unsigned8 | 4    |
| 5 | Simulate En/Disable | Unsigned8 | 1    |

### Test Structure – DS-85

This data structure consists of function block test read/write data.

| E  | ElementName | Data Type       | Size |
|----|-------------|-----------------|------|
| 1  | Value1      | Boolean         | 1    |
| 2  | Value2      | Integer8        | 1    |
| 3  | Value3      | Integer16       | 2    |
| 4  | Value4      | Integer32       | 4    |
| 5  | Value5      | Unsigned8       | 1    |
| 6  | Value6      | Unsigned16      | 2    |
| 7  | Value7      | Unsigned32      | 4    |
| 8  | Value8      | FloatingPoint   | 4    |
| 9  | Value9      | VisibleString   | 32   |
| 10 | Value10     | OctetString     | 32   |
| 11 | Value11     | Date            | 7    |
| 12 | Value12     | Time of Day     | 6    |
| 13 | Value13     | Time Difference | 6    |
| 14 | Value14     | Bitstring       | 2    |
| 15 | Value15     | Time Value      | 8    |

### Discrete Structure – DS-159

This data structure consists of one status and eight discrete value parameters.

| E | Element Name | Data Type | Size |
|---|--------------|-----------|------|
| 1 | Status       | Unsigned8 | 1    |
| 2 | Value1       | Unsigned8 | 1    |
| 3 | Value2       | Unsigned8 | 1    |
| 4 | Value3       | Unsigned8 | 1    |
| 5 | Value4       | Unsigned8 | 1    |
| 6 | Value5       | Unsigned8 | 1    |

| E | Element Name | Data Type | Size |
|---|--------------|-----------|------|
| 7 | Value6       | Unsigned8 | 1    |
| 8 | Value7       | Unsigned8 | 1    |
| 9 | Value8       | Unsigned8 | 1    |

### Discrete Structure – DS-160

This data structure consists of one status and sixteen discrete value parameters.

| E  | Element Name | Data Type | Size |
|----|--------------|-----------|------|
| 1  | Status       | Unsigned8 | 1    |
| 2  | Value1       | Unsigned8 | 1    |
| 3  | Value2       | Unsigned8 | 1    |
| 4  | Value3       | Unsigned8 | 1    |
| 5  | Value4       | Unsigned8 | 1    |
| 6  | Value5       | Unsigned8 | 1    |
| 7  | Value6       | Unsigned8 | 1    |
| 8  | Value7       | Unsigned8 | 1    |
| 9  | Value8       | Unsigned8 | 1    |
| 10 | Value9       | Unsigned8 | 1    |
| 11 | Value10      | Unsigned8 | 1    |
| 12 | Value11      | Unsigned8 | 1    |
| 13 | Value12      | Unsigned8 | 1    |
| 14 | Value13      | Unsigned8 | 1    |
| 15 | Value14      | Unsigned8 | 1    |
| 16 | Value15      | Unsigned8 | 1    |
| 17 | Value16      | Unsigned8 | 1    |

### Manufacturer Specific Data Structure

In this section are defined manufacturer specific data structure used in the system.

### Scaling Conversion Structure - DS-256

This data structure consists of data used to generate constants A and B in equation  $Y = A * X + B$ .

| E | Element Name | Data Type | Size |
|---|--------------|-----------|------|
| 1 | From EU 100% | Float     | 4    |
| 2 | From EU 0%   | Float     | 4    |
| 3 | To EU 100%   | Float     | 4    |
| 4 | To EU 0%     | Float     | 4    |
| 5 | Data Type    | Unsigned8 | 1    |

## Scaling Conversion Structure with Status - DS-257

This data structure consists of data used to generate constants A and B in equation  $Y = A * X + B$  plus the output status.

| E | Element Name  | Data Type | Size |
|---|---------------|-----------|------|
| 1 | From EU 100%  | Float     | 4    |
| 2 | From EU 0%    | Float     | 4    |
| 3 | To EU 100%    | Float     | 4    |
| 4 | To EU 0%      | Float     | 4    |
| 5 | Data Type     | Unsigned8 | 1    |
| 6 | Output Status | Unsigned8 | 1    |

## Scaling Locator Structure - DS-258

This data structure consists of data used to generate constants A and B in equation  $Y = A * X + B$  plus the addresses in a slave device.

| E | Element Name            | Data Type  | Size |
|---|-------------------------|------------|------|
| 1 | From EU 100%            | Float      | 4    |
| 2 | From EU 0%              | Float      | 4    |
| 3 | To EU 100%              | Float      | 4    |
| 4 | To EU 0%                | Float      | 4    |
| 5 | Data Type               | Unsigned8  | 1    |
| 6 | Slave Address           | Unsigned8  | 1    |
| 7 | Modbus Address of Value | Unsigned16 | 2    |

- Slave Address: It informs the slave address which is required to reference to the PVALUEn parameter. For example, it suppose there is one LC700 with device address equal 3 and In this equipment is required to monitor one specific variable. Thus, this Slave Address is 3.
- Modbus Address of Value: It informs the Modbus address of variable which it will be monitored. In the example of the last element, it supposes the Modbus address of the monitored variable was 40032. Thus, element must receive this address.

## Scaling Locator Structure with Status- DS-259

This data structure consists of data used to generate constants A and B in equation  $Y = A * X + B$  plus the addresses in a slave device.

| E | Element Name             | Data Type  | Size |
|---|--------------------------|------------|------|
| 1 | From EU 100%             | Float      | 4    |
| 2 | From EU 0%               | Float      | 4    |
| 3 | To EU 100%               | Float      | 4    |
| 4 | To EU 0%                 | Float      | 4    |
| 5 | Data Type                | Unsigned8  | 1    |
| 6 | Slave Address            | Unsigned8  | 1    |
| 7 | Modbus Address of Value  | Unsigned16 | 2    |
| 8 | Modbus Address of Status | Unsigned16 | 2    |

- Slave Address: It informs the slave address which is required to reference to the PVALUEn parameter. For example, it suppose there is one LC700 with device address equal 3 and In this equipment is required to monitor one specific variable. Thus, this Slave Address is 3;

- **Modbus Address of Value:** It informs the Modbus address of variable which it will be monitored. In the example of the last element, it supposes the Modbus address of the monitored variable was 40032. Thus, element must receive this address.
- **Modbus Address of Status:** In this parameter, the user informs the Modbus address which the status will be read or write. Each input and output has one correspondent status. The status interpretation follows the Foundation Fieldbus Default (See the item “Parameter Status” for more details).

### Modbus Variable Locator Structure - DS-260

This data structure consists of data indicating the addresses in a slave device.

| E | Element Name            | Data Type  | Size |
|---|-------------------------|------------|------|
| 1 | Slave Address           | Unsigned8  | 1    |
| 2 | Modbus Address of Value | Unsigned16 | 2    |

- **Slave Address:** It indicates the Slave Address which the required variable to be monitored is located. For example, if in an application one LC700 was adjusted with Device Address 1, the Slave Address must be 1.
- **Modbus Address Value:** It writes the Modbus address of the variable which will be monitored in the MBSM block. It supposes the user needs to monitor the variable with MODBUS Address 40001 located in one Slave I/O module with Device Address 1. Thus, the Modbus Address of Value must be 40001.

### Modbus Variable Locator Structure with Status- DS-261

This data structure consists of data indicating the addresses in a slave device.

| E | Element Name             | Data Type  | Size |
|---|--------------------------|------------|------|
| 1 | Slave Address            | Unsigned8  | 1    |
| 2 | Modbus Address of Value  | Unsigned16 | 2    |
| 3 | Modbus Address of Status | Unsigned16 | 2    |

### FF Parameter ID Structure - DS-262

This data structure consists of data informing the position of the FF parameter requested.

| E | Element Name   | Data Type         | Size |
|---|----------------|-------------------|------|
| 1 | Block Tag      | VisibleString(32) | 32   |
| 2 | Relative Index | Unsigned16        | 2    |
| 3 | Sub Index      | Unsigned8         | 1    |

- **Block Tag:** It informs the Block Tag that contains the variable which is required to visualization. For example, the user needs to monitor the gain value from the PID block. Thus, it inserts the PID Tag Block which contained the gain parameter required to be visualized in the Modbus Master.
- **Relative Index:** It is the parameter index of a function block which it desired to monitor. (See the function block parameter tables). Thus, it inserts the relative index to the desired parameter to be monitored. In the case above, to monitor the gain parameter from the ID relative block, the relative index is 23.
- **Sub Index:** The Sub Index is used for parameters which posses structure. In this case, it is necessary to indicate which structure element is being referred.

## Slave Address Structure - DS-263

This data structure consists of data informing the IP address and the Modbus address of the slaves.

| E  | Element Name   | Data Type         | Size |
|----|----------------|-------------------|------|
| 1  | IP Slave1      | VisibleString(16) | 16   |
| 2  | IP Slave2      | VisibleString(16) | 16   |
| 3  | IP Slave3      | VisibleString(16) | 16   |
| 4  | IP Slave4      | VisibleString(16) | 16   |
| 5  | IP Slave5      | VisibleString(16) | 16   |
| 6  | IP Slave6      | VisibleString(16) | 16   |
| 7  | IP Slave7      | VisibleString(16) | 16   |
| 8  | IP Slave8      | VisibleString(16) | 16   |
| 9  | Slave Address1 | Unsigned8         | 1    |
| 10 | Slave Address2 | Unsigned8         | 1    |
| 11 | Slave Address3 | Unsigned8         | 1    |
| 12 | Slave Address4 | Unsigned8         | 1    |
| 13 | Slave Address5 | Unsigned8         | 1    |
| 14 | Slave Address6 | Unsigned8         | 1    |
| 15 | Slave Address7 | Unsigned8         | 1    |
| 16 | Slave Address8 | Unsigned8         | 1    |



# Chapter 2

## BLOCK LIBRARY

### Description of Block Types

| RESOURCE | DESCRIPTION   |
|----------|---|
| RS       | <b>RESOURCE</b> – This block contains data that is specific to the hardware that is associated with the resource. |

| TRANSDUCER BLOCKS | DESCRIPTION  |
|-------------------|--|
| DIAG              | <b>DIAGNOSTICS TRANSDUCER</b> – It provides online measurement of block execution time, check of links between blocks and other features       |
| DSP               | <b>DISPLAY TRANSDUCER</b> – This block supported by devices with LCD display can be used to monitor and actuate in local parameters of blocks. |
| HC                | <b>HARDWARE CONFIGURATION TRANSDUCER</b> – It configures the module type for each slot in the DFI302.  |
| IDSHELL           | This transducer block provides configuration of the initial settings of the system and device and block online diagnostics.                    |

| INPUT TRANSDUCER BLOCKS | DESCRIPTION   |
|-------------------------|---|
| LD292/LD302             | <b>PRESSURE TRANSDUCER</b> – This is the transducer block for LD292/LD302, a pressure transmitter.  |
| TT302                   | <b>TEMPERATURE TRANSDUCER</b> – This is the transducer block for TT302, a temperature transmitter.  |
| IF302                   | <b>CURRENT FIELDBUS TRANSDUCER</b> – This is the transducer block for IF302, a Current to Fieldbus Transmitter.                                 |
| TP302                   | <b>POSITION FIELDBUS TRANSDUCER</b> – This is the transducer block for TP302, a Position Fieldbus Transmitter.                                  |
| TEMP                    | <b>DF-45 TEMPERATURE TRANSDUCER</b> – This is the transducer block for the module DF-45, an eight low signal input module for RTD, TC, mV, Ohm. |
| DT302                   | <b>CONCENTRATION/DENSITY TRANSDUCER</b> – This is the transducer block for the DT302, a concentration/density transmitter.                      |

| OUTPUT TRANSDUCER BLOCKS | DESCRIPTION   |
|--------------------------|---|
| FY302                    | <b>FIELDBUS POSITIONER TRANSDUCER</b> - This is the transducer block for FY302, a Fieldbus Positioner.          |
| FP302                    | <b>FIELDBUS PRESSURE TRANSDUCER</b> - This is the transducer block for FP302, a Fieldbus to Pressure Converter. |
| FI302                    | <b>FIELDBUS CURRENT TRANSDUCER</b> - This is the transducer block for IF302, a Fieldbus to Current Converter.   |
| FR302                    | <b>FIELDBUS RELAY TRANSDUCER</b> – This is the transducer block for the FR302, a Fieldbus relay transmitter.    |

| INPUT FUNCTION BLOCKS | DESCRIPTION   |
|-----------------------|---|
| AI                    | <b>ANALOG INPUT</b> – This block takes the analog input data from the analog input signal and it makes available to other function blocks. It has scaling conversion, filtering, square root, low cut and alarm processing. |
| DI                    | <b>DISCRETE INPUT</b> – This block takes the discrete input data from the discrete input signal, and it makes available to other function blocks. It has option to invert, filtering and alarm processing.                  |
| MAI                   | <b>MULTIPLE ANALOG INPUT</b> – It provides a way to receive 8 analog variables from other modules or physical inputs.   |
| MDI                   | <b>MULTIPLE DISCRETE INPUT</b> – It provides a way to receive 8 discrete variables from other modules or physical inputs.   |
| PUL                   | <b>PULSE INPUT</b> – It provides an analog value that represents a totalization of pulses in a physical discrete input.   |

| CONTROL AND CALCULATION FUNCTION BLOCKS | DESCRIPTION   |
|---|---|
| PID                                     | <b>PID CONTROL</b> – This standard block has a lot of valuable features as setpoint treatment (value and rate limiting), filtering and alarm on PV, feedforward, output tracking and others.  |
| EPID                                    | <b>ENHANCED PID</b> – It has all the standard features plus: bumpless or hard transfer from a “manual” mode to an “automatic” mode and bias.  |
| APID                                    | <b>ADVANCED PID</b> – It has all the standard features plus: bumpless or hard transfer from a “manual” mode to an “automatic” mode, bias, Adaptive gain, PI sampling, dead band for error, special treatment for error, ISA or parallel algorithm.                                      |
| ARTH                                    | <b>ARITHMETIC</b> – This calculation block provides some pre-defined equations ready for use in applications as flow compensation, HTG, ratio control and others.   |
| SPLT                                    | <b>SPLITTER</b> – This block is used in two typical applications: split ranging and sequencing. It receives the output of PID block, which is processed according to the selected algorithm, and then it generates the values for the two analog output blocks.                         |
| CHAR                                    | <b>SIGNAL CHARACTERIZER</b> – It has capability for two signal characterization based on the same curve. The second input has an option for swapping “x” to “y”, providing an easy way to use the inverse function, which may be used in signal characterization of readback variables. |
| INTG                                    | <b>INTEGRATOR</b> – It integrates a variable in function of the time. There is a second flow input that may be used for the following applications: net flow totalization, volume/mass variation in vessels and precise flow ratio control.   |
| AALM                                    | <b>ANALOG ALARM</b> – This alarm block has dynamic or static alarm limits, hysteresis, and temporary expansion of alarm limits on step setpoint changes to avoid nuisance alarms, two levels of alarm limits and delay for alarm detection.   |
| ISEL                                    | <b>INPUT SELECTOR</b> – This block has four analog inputs that may be selected by an input parameter or according to a criterion as first good, maximum, minimum, middle and average.   |
| SPG                                     | <b>SETPOINT RAMP GENERATOR</b> – This block generates setpoint following a profile in function of the time. Typical applications are temperature control, batch reactors, etc.  |
| ESPG                                    | <b>ENHANCED SETPOINT RAMP GENERATOR</b> – It has an extra parameter to identify the step or segment of the profile in the float format.   |
| TIME                                    | <b>TIMER and Logic</b> – This block has four discrete inputs that are processed by combination logic. The selected timer processing type operates on the combined input signal to produce a measurement, delay, extension, pulse or debounce.   |
| LLAG                                    | <b>LEAD-LAG</b> – This block provides dynamic compensation of a variable. It is used normally in a feedforward control.   |
| OSDL                                    | <b>OUTPUT SELECTOR / DYNAMIC LIMITER</b> – It has two algorithms:<br>Output selector – selection of output by a discrete input<br>Dynamic limiter – this algorithm was developed specially for double cross limit in combustion control.  |
| DENS                                    | <b>DENSITY</b> – This block has a special algorithm to calculate the density in different types of engineering units: plato degree, INPM and others.  |
| CT                                      | <b>CONSTANT</b> – It provides analog and discrete output parameters with constant values.   |
| FFET                                    | <b>FLIP-FLOP AND EDGE TRIGGER</b> – It can be configured to work as SR flip-flop, RS flip-flop, D-LATCH and EDGE TRIGGER (rising, falling or bi-directional)  |
| AEQU                                    | <b>ADVANCED EQUATIONS</b> - This block was specially designed to support specific calculations.   |
| PRED                                    | <b>SMITH PREDICTOR</b> –This block becomes available the following functions as Delay, Bypass and Smith Predictor.  |
| TF                                      | <b>TRANSFER FUNCTION</b> – This block is intended to represent systems up to 2nd order, using the coefficients A, B, C, D, E and F.   |
| LCF                                     | <b>LIQUID CORRECTION FACTORS</b> – This block calculates the correction factors (CTL, CPL and BSW in operation temperature) for liquid measurement.   |

| MODBUS FUNCTION BLOCKS | DESCRIPTION  |
|------------------------|--|
| MBCF                   | <b>MODBUS CONFIGURATION</b> – This transducer block is used to configure general features related to Modbus gateway.   |
| MBCS                   | <b>MODBUS CONTROL SLAVE</b> – When the device is working as gateway between Foundation Fieldbus and Modbus (slave device), this block may be used to exchange control data between both protocols.   |
| MBSS                   | <b>MODBUS SUPERVISION SLAVE</b> – When the device is working as gateway between Foundation Fieldbus and Modbus (slave device), this block may be used to convert Foundation Fieldbus parameters into Modbus variables. Such variables will be available to the supervisory with a Modbus driver. |



| MODBUS FUNCTION BLOCKS | DESCRIPTION  |
|------------------------|--|
| MBCM                   | <b>MODBUS CONTROL MASTER</b> – When the device is working as gateway between Foundation Fieldbus and Modbus (master device), this block may be used to exchange control data between both protocols.   |
| MBSM                   | <b>MODBUS SUPERVISION MASTER</b> – When the device is working as gateway between Foundation Fieldbus and Modbus (master device), this block may be used to convert Modbus variables into Foundation Fieldbus parameters. Such parameters will be available to the supervisory with a Foundation Fieldbus driver (OPC). |

| OUTPUT FUNCTION BLOCKS | DESCRIPTION  |
|------------------------|--|
| AO                     | <b>ANALOG OUTPUT</b> – The AO block provides an analog value to generate an analog output signal. It provides value and rate limiting, scaling conversion, fault state mechanism and other features. |
| DO                     | <b>DISCRETE OUTPUT</b> – The DO block provides a discrete value to generate a discrete output signal. There is option to invert the discrete value, fault state mechanism and other features.        |
| MAO                    | <b>MULTIPLE ANALOG OUTPUT</b> – It provides a way to send 8 analog variables to other modules or physical outputs.   |
| MDO                    | <b>MULTIPLE DISCRETE OUTPUT</b> – It provides a way to send 8 discrete variables to other modules or physical outputs.   |
| STEP                   | <b>STEP OUTPUT PID</b> – It is used when the final control element has an actuator driven by an electric motor.  |

| FLEXIBLE FUNCTION BLOCK | DESCRIPTION   |
|-------------------------|---|
| FFB                     | <b>Flexible Function Block</b> - The FFB block provides logic such as AND, OR, XOR and NOT and functions such as Timer On-Delay, Timer Off-Delay, Timer Pulse, Pulse Counter Down (CTD), Pulse Counter Up(CTU), RS Flip-Flop and SR Flip-Flop. The logic is done using the eight discrete variables available for the FF network (OUT_Dx), the eight input parameters from the FF network (IN_Dx), the sixteen input discrete variables from DC302 hardware(HIN), the eight output discrete variables from DC302 hardware(HOUT), failsafe(FSx) values and auxiliary bit variables(AUX's). |

| HART FUNCTION BLOCKS | DESCRIPTION   |
|----------------------|---|
| HCFG                 | <b>HART Configuration &amp; Diagnostic</b> – Concentrates general configuration parameters for module working, in addition to parameters on HART Communication performance and diagnostic.  |
| HIRT                 | <b>HART Information &amp; Dynamic Data</b> – This block contains the main parameters, i.e., most commonly used, besides dynamic variables. All parameters related to universal commands and some main “Common Practice” commands are found here. There should be one HIRT block for each HART device installed, up to 32 blocks. In normal operation, the HIRT block parameters show the HART device variables, since there are mechanisms to keep the HI302 database updated. See the A Appendix or the Function Blocks handbook for details.                          |
| HVT                  | <b>HART Variable Template</b> – This block is a large collection of variables for general use arranged in arrays. It is now possible to access any HART instrument parameter. To this effect, the module should get a configuration (HCD and HWPC blocks) to define the specific instrument one wants to access, and how these commands will relate to each parameter on the block. There is just one HVT block that should be shared among the devices when accessing them through the HART_TAG. This configuration is already configured in the Smar device's memory. |
| HCD                  | <b>HART Commands Definition</b> – It contains the HART command description for each device type or version. This description stores information needed by the module to communicate and the data read on the HIRT or HTV blocks. The HCD blocks defining the universal and the common practice commands, as well as all commands specific to Smar instruments, are already stored in the equipment's memory and do not require any configuration from the user. See the Appendix B for details.   |
| HWPC                 | <b>HART Write Parameter Configuration</b> – This block stores information about all parameters to be written on the instrument and mapped on the HVT block.   |
| HBC                  | <b>HART Bypass Communication</b> – This block allows HART messages are sent to any equipment through written in the block parameter.  |

## Block type availability and initial block set

The table below shows how powerful and flexible the Smar devices are. For example, the user may instantiate up to 20 blocks selected from 17 block types (algorithms) in a field device as LD302. Indeed it means that almost all control strategy may be implemented using only the Smar field devices.

Read carefully the notes in order to fully understand the information in this table.

| Block type | LD292/<br>LD302 | TT302 | IF302 | TP302 | FY302 | FP302 | FI302 | FB700 | DC302 | DFI302 | FR302 | DT302 | HI302-O | HI302-N | HI302-I |
|------------|-----------------|-------|-------|-------|-------|-------|-------|-------|-------|--------|-------|-------|---------|---------|---------|
| RS (1)     | 1               | 1     | 1     | 1     | 1     | 1     | 1     | 1     | 1     | 1      | 1     | 1     | 1       | 1       | 1       |
| DIAG (1)   | 1               | 1     | 1     | 1     | 1     | 1     | 1     | 1     | 1     | 1      | 1     | 1     | 1       | 1       | 1       |
| DSP (1)    | 1               | 1     | 1     | 1     | 1     | 1     | 1     |       |       |        | 1     | 1     |         |         |         |
| HC (1)     |                 |       |       |       |       |       |       |       |       | 0      |       |       |         |         |         |
| IDSH(1)    |                 |       |       |       |       |       |       |       |       | 1      |       |       |         |         |         |
| TRD-LD (1) | 1               |       |       |       |       |       |       |       |       |        |       |       |         |         |         |
| TRD-TT (2) |                 | 2     |       |       |       |       |       |       |       |        |       |       |         |         |         |
| TRD-IF (3) |                 |       | 3     |       |       |       |       |       |       |        |       |       |         |         |         |
| TRD-TP(1)  |                 |       |       | 1     |       |       |       |       |       |        |       |       |         |         |         |
| TEMP       |                 |       |       |       |       |       |       |       |       | 0      |       |       |         |         |         |
| TRD-FI (3) |                 |       |       |       |       |       | 3     |       |       |        |       |       |         |         |         |
| TRD-FP (1) |                 |       |       |       |       | 1     |       |       |       |        |       |       |         |         |         |
| TRD-FY (1) |                 |       |       |       | 1     |       |       |       |       |        |       |       |         |         |         |
| AI (*)     | 1               | 2     | 3     | 1     |       |       |       |       |       | 0      |       | 1     |         |         |         |
| DI(*)      |                 |       |       |       |       |       |       |       | 0     | 0      |       |       |         |         |         |
| MAI        |                 |       |       |       |       |       |       | 2     |       | 0      |       |       | 0       |         | 1       |
| MDI        |                 |       |       |       |       |       |       | 3     | 0     | 0      |       |       | 0       |         | 0       |
| PUL        |                 |       |       |       |       |       |       |       |       | 0      |       |       |         |         |         |
| PID        | 1               | 1     | 1     | 1     | 1     | 1     | 1     | 1     | 1     | 0      | 1     | 1     |         |         |         |
| EPID       |                 | 0     | 0     | 0     | 0     | 0     | 0     | 0     |       | 0      |       |       |         |         |         |
| APID       | 0               |       |       |       | 0     | 0     | 0     |       |       | 0      |       | 0     |         |         |         |
| ARTH       | 1               | 1     | 1     | 1     | 1     | 1     | 1     | 0     | 0     | 0      |       | 1     | 1       |         |         |
| SPLT       |                 | 0     | 0     | 0     | 0     | 0     | 1     | 0     |       | 0      |       |       |         |         |         |
| CHAR       | 1               | 1     | 1     | 1     | 1     | 1     | 1     | 0     |       | 0      |       |       | 1       |         |         |
| INTG       | 1               | 0     | 1     | 1     |       | 0     | 1     | 0     |       | 0      |       |       | 1       |         |         |
| AALM       | 1               | 2     | 1     | 1     | 1     | 1     | 1     | 1     | 0     | 0      |       | 1     | 1       |         |         |
| ISEL       | 0               | 1     | 0     | 0     | 1     | 1     | 0     | 0     | 1     | 0      |       | 1     | 0       |         |         |
| SPG        |                 | 1     | 1     | 1     | 0     | 0     | 0     | 0     |       |        |       |       |         |         |         |
| ESPG       |                 |       |       |       |       |       |       |       |       | 0      |       |       |         |         |         |
| TIME       | 1               | 0     | 0     | 0     | 0     | 0     | 0     | 0     | 1     | 0      | 1     | 1     |         |         |         |
| LLAG       | 1               | 0     | 0     | 0     | 0     | 0     | 0     | 0     |       | 0      |       | 1     |         |         |         |
| OSDL       | 0               | 0     | 0     | 0     | 0     | 0     | 0     | 0     |       | 0      |       | 0     |         |         |         |
| DENS       | 0               |       |       |       |       |       |       |       |       | 0      |       | 0     |         |         |         |
| CT         | 0               | 0     | 0     | 0     | 0     | 0     | 0     | 0     |       | 0      |       | 0     |         |         |         |

| Block type | LD292/<br>LD302 | TT302 | IF302 | TP302 | FY302 | FP302 | FI302 | FB700 | DC302 | DFI302 | FR302 | DT302 | HI302-O | HI302-N | HI302-I |
|------------|-----------------|-------|-------|-------|-------|-------|-------|-------|-------|--------|-------|-------|---------|---------|---------|
| FFET       |                 |       |       |       |       |       |       |       | 1     | 0      | 1     |       |         |         |         |
| AEQU       |                 |       |       |       |       |       |       |       |       | 0      |       |       |         |         |         |
| PRED       |                 |       |       |       |       |       |       |       |       | 0      |       |       |         |         |         |
| TF         |                 |       |       |       |       |       |       |       |       | 0      |       |       |         |         |         |
| LCF        |                 |       |       |       |       |       |       |       |       | 0      |       |       |         |         |         |
|            |                 |       |       |       |       |       |       |       |       |        |       |       |         |         |         |
| MBCF(1)    |                 |       |       |       |       |       |       |       |       | 0      |       |       |         |         |         |
| MBCS(16)   |                 |       |       |       |       |       |       |       |       | 0      |       |       |         |         |         |
| MBSS(16)   |                 |       |       |       |       |       |       |       |       | 0      |       |       |         |         |         |
| MBCM(16)   |                 |       |       |       |       |       |       |       |       | 0      |       |       |         |         |         |
| MBSM(16)   |                 |       |       |       |       |       |       |       |       | 0      |       |       |         |         |         |
|            |                 |       |       |       |       |       |       |       |       |        |       |       |         |         |         |
| MDO        |                 |       |       |       |       |       |       | 4     | 0     | 0      |       |       | 0       |         | 0       |
| STEP       |                 |       |       |       |       |       |       |       | 0     | 0      | 1     |       |         |         |         |
| HCFG       |                 |       |       |       |       |       |       |       |       |        |       |       | 1       | 1       | 1       |
| HIRT       |                 |       |       |       |       |       |       |       |       |        |       |       | 8       | 8       | 8       |
| HVT        |                 |       |       |       |       |       |       |       |       |        |       |       | 1       | 1       | 1       |
| HCD        |                 |       |       |       |       |       |       |       |       |        |       |       | 0       | 0       | 0       |
| HWPC       |                 |       |       |       |       |       |       |       |       |        |       |       | 0       | 0       | 0       |
| HBC        |                 |       |       |       |       |       |       |       |       |        |       |       | 0       | 0       | 0       |

**Note 1** – The column “Block type” indicates which block type is available for each type of device.

**Note 2** – The number associated to the block type and the device type is the number of instantiated blocks during the factory initialization.

**Note 3** – If the function block type is not available to the device type, it will be indicated by blank space.

**Note 4** – Field devices and FB700 have a capability of 20 blocks, including resource, transducers and function blocks.

**Note 5** – DFI302 has a capability of 100 blocks, including resource, transducers and function blocks.

**Note 6** – The column Block type shows the mnemonics, if it is followed by a number between Parentheses, it indicates the maximum number of block instances. If it is followed by “\*”, it indicates the maximum number depends on the device type.

**Note 7** – The blocks PRED, TF and LCF are available only in DFI302 with DD 0704 or higher.

## Resource

### RS – Resource Block

#### Description

This block contains data that is specific to the hardware that is associated with the resource. All data is modeled as Contained, so there are no links to this block. The data is not processed in the way that a function block processes data, so there is no function schematic.

This parameter set is intended to be the minimum required for the Function Block Application associated with the resource in which it resides. Some parameters that could be in the set, like calibration data and ambient temperature, are more part of their respective transducer blocks.

The mode is used to control major states of the resource. O/S mode stops all function block execution. The actual mode of the function blocks will be changed to O/S, but the target mode will not be changed. Auto mode allows normal operation of the resource. IMan shows that the resource is initializing or receiving a software download.

Parameters MANUFAC\_ID, DEV\_TYPE, DEV\_REV, DD\_REV, and DD\_RESOURCE are required to identify and locate the DD so that Device Description Services can select the correct DD for use with the resource.

The parameter HARD\_TYPES is a read only BitString that indicates the types of hardware that are available to this resource. If an I/O block is configured that requires a type of hardware that is not available, the result will be a block alarm for a configuration error.

The RS\_STATE parameter contains the operational state of the Function Block Application for the resource containing this resource block.

#### RESTART parameter

The RESTART parameter allows degrees of initialization of the resource. They are:

- 1 - Run: it is the passive state of the parameter
- 2 - Restart resource: it is intended to clear up problems like garbage collection
- 3 - Restart with defaults: it is intended to wipe configuration memory; it works like a factory initialization.
- 4 - Restart processor: it provides a way to hit the reset button on the processor associated with the resource

This parameter does not appear in a view because it returns to 1 shortly after being written.

#### Non-volatile parameters

The Smar devices do not support cyclic saving of non-volatile parameters to a non-volatile memory, therefore NV\_CYCLE\_T parameter will always be zero, which means not supported feature.

On the other hand, the Smar devices have a mechanism to save non-volatile parameters into a non-volatile memory during the power down, and they will be recovered in the power up.

#### Timeout for remote cascade modes

SHED\_RCAS and SHED\_ROUT set the time limit for loss of communication from a remote device. These constants are used by all function blocks that support a remote cascade mode. The effect of a timeout is described in Mode Calculation. Shedding from RCAS/ROUT shall not happen when SHED\_RCAS or SHED\_ROUT is set to zero.

#### Alert Notification

The MAX\_NOTIFY parameter value is the maximum number of alert reports that this resource can have sent without getting a confirmation, corresponding to the amount of buffer space available for alert messages. A user can set the number lower than that, to control alert flooding, by adjusting the LIM\_NOTIFY parameter value. If LIM\_NOTIFY is set to zero, then no alerts are reported. The CONFIRM\_TIME parameter is the time for the resource to wait for confirmation of receipt of a report before trying again. If the CONFIRM\_TIME = 0 the device shall not retry.

## FEATURES / FEATURE\_SEL parameters

The bit strings FEATURES and FEATURE\_SEL determine optional behavior of the resource. The first defines the available features, and is read only. The second is used to turn on an available feature by configuration. If a bit is set in FEATURE\_SEL that is not set in FEATURES, the result will be a block alarm for a configuration error.

Smart devices support the following features: Reports supported, Fault State supported, Soft Write lock supported.

### Fault state for the whole resource

If the user sets the SET\_FSTATE parameter, the FAULT\_STATE parameter will indicate active and it will cause **all output function blocks** in the resource to go immediately to the condition chosen by the fault state Type I/O option. It may be cleared by setting the CLR\_FSTATE parameter. The set and clear parameters do not appear in a view because they are momentary.

### Write lock by software

The WRITE\_LOCK parameter, if set, will prevent any external change to the static or nonvolatile data base in the Function Block Application of the resource. Block connections and calculation results will proceed normally, but the configuration will be locked. It is set and cleared by writing to the WRITE\_LOCK parameter. Clearing WRITE\_LOCK will generate the discrete alert WRITE\_ALM, at the WRITE\_PRI priority. Setting WRITE\_LOCK will clear the alert, if it exists.

Before setting WRITE\_LOCK parameter to *Locked*, it is necessary to select the “Soft Write lock supported” option in FEATURE\_SEL.

### Features being implemented

The parameter CYCLE\_TYPE is a BitString that defines the types of cycles that this resource can do. CYCLE\_SEL allows the configurator chooses one of them. If CYCLE\_SEL contains more than one bit, or the bit set is not set in CYCLE\_TYPE, the result will be a block alarm for a configuration error. MIN\_CYCLE\_T is the manufacturer specified minimum time to execute a cycle. It puts a lower limit on the scheduling of the resource.

MEMORY\_SIZE declares the size of the resource for configuration of function blocks, in kilobytes.

The parameter FREE\_SPACE shows the percentage of configuration memory that is still available. FREE\_TIME shows the approximate percentage of time that the resource has left for processing new function blocks, should they be configured.

### BLOCK\_ERR

The BLOCK\_ERR of the resource block will reflect the following causes:

- Device Fault State Set – When FAULT\_STATE is active.
- Simulate Active – When the Simulate jumper is ON.
- Out of Service – When the block is in O/S mode.

### Supported Modes

O/S, IMAN and AUTO

### Parameters

| Idx | Parameter        | Data Type (length)  | Valid Range/Options | Default Value | Units     | Store / Mode  | Description   |
|-----|------------------|---------------------|---------------------|---------------|-----------|---------------|---|
| 1   | ST_REV           | Unsigned16          |                     | 0             | None      | S/RO          |   |
| 2   | TAG_DESC         | OctString(32)       |                     | Spaces        | Na        | S             |   |
| 3   | STRATEGY         | Unsigned16          |                     | 0             | None      | S             |   |
| 4   | ALERT_KEY        | Unsigned8           | 1 to 255            | 0             | None      | S             |   |
| 5   | <b>MODE_BLK</b>  | <b>DS-69</b>        |                     | <b>O/S</b>    | <b>Na</b> | <b>S</b>      | <b>See Mode Parameter</b>   |
| 6   | <b>BLOCK_ERR</b> | <b>Bitstring(2)</b> |                     |               | <b>E</b>  | <b>D / RO</b> |   |
| 7   | RS_STATE         | Unsigned8           |                     |               | E         | D / RO        | State of the function block application state machine.  |
| 8   | TEST_RW          | DS-85               |                     |               | None      | D             | Read/write test parameter - used only for conformance testing.                                      |
| 9   | DD_RESOURCE      | VisibleString (32)  |                     | Spaces        | Na        | S / RO        | String identifying the tag of the resource which contains the Device Description for this resource. |

| Idx | Parameter   | Data Type (length) | Valid Range/ Options   | Default Value | Units            | Store / Mode | Description  |
|-----|-------------|--------------------|--|---------------|------------------|--------------|--|
| 10  | MANUFAC_ID  | Unsigned32         | Enumeration; controlled by FF  | 0x00000302    | None             | S / RO       | Manufacturer identification number - used by an interface device to locate the DD file for the resource.   |
| 11  | DEV_TYPE    | Unsigned16         | Set by mfgr  |               | None             | S / RO       | Manufacturer's model number associated with the resource - used by interface devices to locate the DD file for the resource.   |
| 12  | DEV_REV     | Unsigned8          | Set by mfgr  |               | None             | S / RO       | Manufacturer revision number associated with the resource - used by an interface device to locate the DD file for the resource.  |
| 13  | DD_REV      | Unsigned8          | Set by mfgr  |               | None             | S / RO       | Revision of the DD associated with the resource - used by an interface device to locate the DD file for the resource.  |
| 14  | GRANT_DENY  | DS-70              | See Block Options  | 0             | Na               | D            | Options for controlling access of host computer and local control panels to operating, tuning and alarm parameters of the block.   |
| 15  | HARD_TYPES  | Bitstring(2)       | Set by mfgr  |               | Na               | S / RO       | The types of hardware available as channel numbers.  |
| 16  | RESTART     | Unsigned8          | 1: Run,<br>2: Restart resource,<br>3: Restart with defaults,<br>4: Restart processor |               | E                | D            | Allows a manual restart to be initiated. Several degrees of restart are possible.  |
| 17  | FEATURES    | Bitstring(2)       | Set by mfgr  |               | Na               | S / RO       | Used to show supported resource block options.   |
| 18  | FEATURE_SEL | Bitstring(2)       |  | 0             | Na               | S            | Used to select resource block options.   |
| 19  | CYCLE_TYPE  | Bitstring(2)       | Set by mfgr  |               | Na               | S / RO       | Identifies the block execution methods available for this resource.  |
| 20  | CYCLE_SEL   | Bitstring(2)       |  | 0             | Na               | S            | Used to select the block execution method for this resource.   |
| 21  | MIN_CYCLE_T | Unsigned32         | Set by mfgr  |               | 1/32 millisecond | S / RO       | Time duration of the shortest cycle interval of which the resource is capable.   |
| 22  | MEMORY_SIZE | Unsigned16         | Set by mfgr  |               | kbytes           | S / RO       | Available configuration memory in the empty resource. To be checked before attempting a download.  |
| 23  | NV_CYCLE_T  | Unsigned32         |  |               | 1/32 millisecond | S / RO       | Interval between writing copies of NV parameters to non-volatile memory. Zero means never.   |
| 24  | FREE_SPACE  | Float              | 0 to 100 %   |               | %                | D / RO       | Percent of memory available for further configuration. Zero in a preconfigured resource.   |
| 25  | FREE_TIME   | Float              | 0 to 100%  |               | %                | D / RO       | Percent of the block processing time that is free to process additional blocks.  |
| 26  | SHED_RCAS   | Unsigned32         |  | 640000        | 1/32 millisecond | S            | Time duration at which to give up on computer writes to function block RCAs locations.   |
| 27  | SHED_ROUT   | Unsigned32         |  | 640000        | 1/32 millisecond | S            | Time duration at which to give up on computer writes to function block ROut locations.   |
| 28  | FAULT_STATE | Unsigned8          | 1: Clear, 2: Active  |               | E                | D            | Condition set by loss of communication to an output block, failure promoted to an output block or a physical contact. When Fault State condition is set, and then output function blocks will perform their FSAFE actions. |
| 29  | SET_FSTATE  | Unsigned8          | 1: Off, 2: Set   | 1             | E                | D            | Allows the fault state condition to be manually initiated by selecting Set.  |
| 30  | CLR_FSTATE  | Unsigned8          | 1: Off, 2: Clear   | 1             | E                | D            | Writing a Clear to this parameter will clear the device fault state if the field condition, if any, has cleared.   |
| 31  | MAX_NOTIFY  | Unsigned8          | Set by mfgr  |               | None             | S / RO       | Maximum number of unconfirmed notifies messages possible.  |

| Idx | Parameter    | Data Type (length) | Valid Range/ Options                      | Default Value | Units            | Store / Mode | Description  |
|-----|--------------|--------------------|---|---------------|------------------|--------------|--|
| 32  | LIM_NOTIFY   | Unsigned8          | 0 to MAX_NOTIFY                           | MAX_NOTIFY    | None             | S            | Maximum number of unconfirmed alert notifies messages allowed.   |
| 33  | CONFIRM_TIME | Unsigned32         |   | 640000        | 1/32 millisecond | S            | The minimum time between retries of alert reports.   |
| 34  | WRITE_LOCK   | Unsigned8          | 1:Unlocked, 2:Locked                      | 1             | E                | S            | If set, no writes from anywhere are allowed, except to clear WRITE_LOCK. Block inputs will continue to be updated.   |
| 35  | UPDATE_EVT   | DS-73              |   |               | Na               | D            | This alert is generated by any change to the static data.  |
| 36  | BLOCK_ALM    | DS-72              |   |               | Na               | D            | The block alarm is used for all configuration, hardware, and connection failure or system problems in the block. The cause of the alert is entered in the subcode field. The first alert to become active will set the Active status in the Status attribute. As soon as the Unreported status is cleared by the alert reporting task, another block alert may be reported without clearing the Active status, if the subcode has changed. |
| 37  | ALARM_SUM    | DS-74              |   |               | Na               | S            | The current alert status, unacknowledged states, unreported states, and disabled states of the alarms associated with the function block.  |
| 38  | ACK_OPTION   | Bitstring(2)       | 0: Auto ACK Disable<br>1: Auto ACK Enable | 0             | Na               | S            | Selection of whether alarms associated with the block will be automatically acknowledged.  |
| 39  | WRITE_PRI    | Unsigned8          | 0 to 15                                   | 0             | None             | S            | Priority of the alarm generated by clearing the write lock.  |
| 40  | WRITE_ALM    | DS-72              |   |               | None             | D            | This alert is generated if the write lock parameter is cleared.  |
| 41  | ITK_VER      | Unsigned16         |   |               | Na               | S/RO         | <b>This parameter informs which ITK version is the device (only for certified devices).</b>  |

**Legend:** E – Enumerated Parameter; Na – Adimensional Parameter; RO – Read Only; D – Dynamic; N – Non volatile; S – Static.

**Gray Background Line: Default Parameters in Syscon**

## Transducer Blocks

### DIAG – Diagnostics Transducer Block

#### Description

This transducer block provides the following features:

- Online measurement of block execution time
- Hardware revision
- Firmware revision
- Serial number of device
- Serial number of main board

The parameter BEHAVIOR will define which initial values for parameters will be used after a block instantiation. The option *Adapted* selects a more suitable initial value set; it will avoid invalid values for parameters. It is still possible to have the initial values defined by specification by selecting the option *Spec*.

#### Supported modes

O/S and AUTO.

#### Parameters

| Idx | Parameter      | Data Type (length)  | Valid Range/ Options            | Default Value | Units | Store / Mode | Description   |
|-----|----------------|---------------------|---------------------------------|---------------|-------|--------------|---|
| 1   | ST_REV         | Unsigned16          |                                 | 0             | None  | S/RO         |   |
| 2   | TAG_DESC       | OctString(32)       |                                 | Spaces        | Na    | S            |   |
| 3   | STRATEGY       | Unsigned16          |                                 | 0             | None  | S            |   |
| 4   | ALERT_KEY      | Unsigned8           | 1 to 255                        | 0             | None  | S            |   |
| 5   | MODE_BLK       | DS-69               |                                 | O/S           | Na    | S            | See Mode Parameter.   |
| 6   | BLOCK_ERR      | Bitstring(2)        |                                 |               | E     | D/RO         |   |
| 7   | EXE_TIME_TAG   | Visible String (32) |                                 | spaces        | Na    | D            | Block tag of the selected block to measure the execution time.                    |
| 8   | MIN_EXE_TIME   | Float               |                                 | +INF          | ms    | D / RO       | Minimum execution time of the selected block.                                     |
| 9   | CUR_EXE_TIME   | Float               |                                 | 0             | ms    | D / RO       | Current execution time of the selected block.                                     |
| 10  | MAX_EXE_TIME   | Float               |                                 | 0             | ms    | D / RO       | Maximum execution time of the selected block.                                     |
| 11  | HW_REV         | Visible String(5)   |                                 |               |       | S / RO       | Hardware revision.  |
| 12  | FIRMWARE_REV   | Visible String(5)   |                                 |               |       | S / RO       | Firmware revision.  |
| 13  | DEV_SN         | Unsigned32          |                                 |               |       | S / RO       | Device serial number.   |
| 14  | MAIN_BOARD_SN  | Unsigned32          |                                 |               |       | S / RO       | Main board serial number.   |
| 15  | BEHAVIOR       | Unsigned8           | 0:Adapted<br>1:Spec             | 0             | E     | S            | Select the initial values for parameters, there are two options Adapted and Spec. |
| 16  | PUB_SUB_STATUS | Unsigned8           | 0-good<br>1-bad                 |               | E     | D / RO       | Indicate if all external links is good or if at least one is bad.                 |
| 17  | LINK_SELECTION | Unsigned8           | 0-first<br>1-next<br>2-previous | 0             | E     | D            | Select an external link.  |
| 18  | LINK_NUMBER    | Unsigned16          |                                 |               |       | D / RO       | Number of the external link selected.   |
| 19  | LINK_STATUS    | Unsigned8           |                                 |               |       | D / RO       | Status of the external link selected (see table below)                            |
| 20  | LINK_RECOVER   | Unsigned8           | 0-no action<br>1-action         | No action     | E     | D            | Command a recovery process to the external link selected.                         |



| Idx | Parameter     | Data Type (length) | Valid Range/ Options         | Default Value | Units | Store / Mode | Description  |
|-----|---------------|--------------------|------------------------------|---------------|-------|--------------|--|
| 21  | BLOCK_ALM     | DS-72              |                              |               | Na    | D            | The block alarm is used for all configuration, hardware, and connection failure or system problems in the block. The cause of the alert is entered in the subcode field. The first alert to become active will set the Active status in the Status attribute. As soon as the Unreported status is cleared by the alert reporting task, another block alert may be reported without clearing the Active status, if the subcode has changed. |
| 22  | SAVING_CONFIG | Unsigned 8         | 0 – NOT SAVING<br>1 - SAVING | 0             | E     | D            | It indicates if the device is saving the configuration in a non-volatile memory.   |

**Legend:** E – Enumerated Parameter; Na – Adimensional Parameter; RO – Read Only; D – Dynamic; N – Non volatile; S – Static.

*Gray Background Line: Default Parameters in Syscon*

#### Description of the values given by the LINK\_STATUS parameter

| Link Status | General Status | Publisher/ Subscriber | Connection Status | Sending/Receiving     | Block Update |
|-------------|----------------|-----------------------|-------------------|-----------------------|--------------|
| 0X00        | Good           | Publisher             |                   |                       |              |
| 0X40        | Good           | Subscriber            |                   |                       |              |
| 0X84        | Bad            | Publisher             | Established       | Sending/Receiving     | Not updating |
| 0X88        | Bad            | Publisher             | Established       | Not sending/receiving | Updating     |
| 0X8C        | Bad            | Publisher             | Established       | Not sending/receiving | Not updating |
| 0X98        | Bad            | Publisher             | Not established   | Not sending/receiving | Updating     |
| 0X9C        | Bad            | Publisher             | Not established   | Not sending/receiving | Not updating |
| 0XA8        | Bad            | Publisher             | Pending           | Not sending/receiving | Updating     |
| 0XAC        | Bad            | Publisher             | Pending           | Not sending/receiving | Not updating |
| 0XBC        | Bad            | Publisher             | Not configured    | Not sending/receiving | Not updating |
| 0XC4        | Bad            | Subscriber            | Established       | Sending/Receiving     | Not updating |
| 0XCC        | Bad            | Subscriber            | Established       | Not sending/receiving | Not updating |
| 0XDC        | Bad            | Subscriber            | Not established   | Not sending/receiving | Not updating |
| 0XEC        | Bad            | Subscriber            | Pending           | Not sending/receiving | Not updating |
| 0XFC        | Bad            | Subscriber            | Not configured    | Not sending/receiving | Not updating |

## DSP - Display Transducer

### Description

The display transducer is responsible to show on the LCD screen, one chose variable when it is in monitoring mode or a configured menu when in local adjustment mode. The display transducer is completely configured via SYSCON. It means the user can select the best options to fit his application. Among the possibilities, the following options can be emphasized: Mode block, Outputs monitoring, Tag visualization and Tuning Parameters setting. The user, when configuring, may select up to seven parameters of any block, executing in the local device. It means that the device itself is executing that Display Transducer Block.

### Supported Modes

OOS and AUTO.

### Parameters

| Idx | Parameter            | Data Type (length) | Valid Range/Options | Default Value | Units | Store | Description   |
|-----|----------------------|--------------------|---------------------|---------------|-------|-------|---|
| 7   | BLOCK_TAG_PARAM      | VisibleString      |                     |               | None  | S     | This is a tag of the block to which the parameter belongs to use up to a maximum of 32 characters.  |
| 8   | INDEX_RELATIVE       | Unsigned16         | 0-65535             |               | None  | S     | This is the index related to the parameter to be actuated or viewed (1, 2...).  |
| 9   | SUB_INDEX            | Unsigned8          | 1-255               |               | None  | S     | To visualize a certain tag, opt for the index relative equal to zero, and for the sub-index equal to one.   |
| 10  | MNEMONIC             | VisibleString      |                     |               | None  | S     | This is the mnemonic for the parameter identification (maximum of 16 characters). Choose the mnemonic, preferably with no more than 5 characters because, this way, it will not necessary to rotate it on display.  |
| 11  | INC_DEC              | Float              |                     |               | None  | S     | It is the increment and decrement in decimal units when the parameter is Float or Float Status time, or integer, when the parameter is in whole units.  |
| 12  | DECIMAL_POINT_NUMBER | Unsigned8          | 0-4                 |               | None  | S     | This is the number of digits after the decimal point (0 to 3 decimal digits)  |
| 13  | ACCESS               | Unsigned8          | Monit/Action        |               | None  |       | The access allows the user to read, in the case of the "Monitoring" option, and to write when "action" option is selected, and then the display will show the increment and decrement arrows.   |
| 14  | ALPHA_NUM            | Unsigned8          | Mnem/Value          |               | None  | S     | These parameters include two options: value and mnemonic. In option value it is possible to display data both in the alphanumeric and in the numeric fields, this way, in the case of a data higher than 10000, it will be shown in the alphanumeric field. |
| 63  | DISPLAY_REFLESH      | Unsigned8          | 1                   |               | None  | D     |   |

Legend: E – Enumerated Parameter; Na – Adimensional Parameter; RO – Read Only; D – Dynamic; N – Non volatile; S – Static.

Gray Background Line: Default Parameters in Syscon

## HC – Hardware Configuration Transducer

### Overview

It configures the module type for each slot in the **DFI302**.

### Description

The following table shows the available module types.

| Code | Description   | I/O Type                             |
|------|---|--------------------------------------|
|      | Available slot  | No I/O                               |
| DF51 | DFI302 Processor 1x10Mbps, 4xH1                             | No I/O                               |
| DF50 | Power Supply 90-264VAC                                      | No I/O                               |
| DF56 | Power Supply for Backplane 20-30VDC                         | No I/O                               |
| DF52 | Power Supply for Fieldbus                                   | No I/O                               |
| DF49 | 2-channel Power Supply Impedance                            | No I/O                               |
| DF53 | 4-channel Power Supply Impedance                            | No I/O                               |
| DF11 | 2 Groups of 8 24VDC Inputs (Isolated)                       | 16-discrete input                    |
| DF12 | 2 Groups of 8 48VDC Inputs (Isolated)                       | 16- discrete input                   |
| DF13 | 2 Groups of 8 60VDC Inputs (Isolated)                       | 16- discrete input                   |
| DF14 | 2 Groups of 8 125VDC Inputs (Isolated)                      | 16- discrete input                   |
| DF15 | 2 Groups of 8 24VDC Inputs (Sink)(Isolated)                 | 16- discrete input                   |
| DF16 | 2 Groups of 4 120VAC Inputs (Isolated)                      | 8- discrete input                    |
| DF17 | 2 Groups of 4 240VAC Inputs (Isolated)                      | 8- discrete input                    |
| DF18 | 2 Groups of 8 120VAC Inputs (Isolated)                      | 16- discrete input                   |
| DF19 | 2 Groups of 8 240VAC Inputs (Isolated)                      | 16- discrete input                   |
| DF20 | 1 Group of 8 On/Off Switches                                | 8- discrete input                    |
| DF21 | 1 Group of 16 Open Collector Outputs                        | 16- discrete output                  |
| DF22 | 2 Group of 8 Transistor Outputs (source) (Isolated)         | 16- discrete output                  |
| DF23 | 2 Groups of 4 120/240VAC Outputs                            | 8- discrete output                   |
| DF24 | 2 Groups of 8 120/240VAC Outputs                            | 16- discrete output                  |
| DF25 | 2 Groups of 4 NO Relays Outputs                             | 8- discrete output                   |
| DF26 | 2 Groups of 4 NC Relays Outputs                             | 8- discrete output                   |
| DF27 | 1 Group of 4 NO and 4 NC Relay Outputs                      | 8- discrete output                   |
| DF28 | 2 Groups of 8 NO Relays Outputs                             | 16- discrete output                  |
| DF29 | 2 Groups of 4 NO Relays Outputs (W/o RC)                    | 8- discrete output                   |
| DF30 | 2 Groups of 4 NC Relays Outputs (W/o RC)                    | 8- discrete output                   |
| DF31 | 1 Group of 4 NO and 4 NC Relay Outputs (W/o RC)             | 8- discrete output                   |
| DF32 | 1 Group of 8 24VDC Inputs and 1 Group of 4 NO Relays        | 8- discrete input/4- discrete output |
| DF33 | 1 Group of 8 48VDC Inputs and 1 Group of 4 NO Relays        | 8- discrete input/4- discrete output |
| DF34 | 1 Group of 8 60VDC Inputs and 1 Group of 4 NO Relays        | 8- discrete input/4- discrete output |
| DF35 | 1 Group of 8 24VDC Inputs and 1 Group of 4 NC Relays        | 8- discrete input/4- discrete output |
| DF36 | 1 Group of 8 48VDC Inputs and 1 Group of 4 NC Relays        | 8- discrete input/4- discrete output |
| DF37 | 1 Group of 8 60VDC Inputs and 1 Group of 4 NC Relays        | 8- discrete input/4- discrete output |
| DF38 | 1 Group of 8 24VDC Inputs ,1 Group of 2 NO and 2 NC Relays  | 8- discrete input/4- discrete output |
| DF39 | 1 Group of 8 48VDC Inputs , 1 Group of 2 NO and 2 NC Relays | 8- discrete input/4- discrete output |
| DF40 | 1 Group of 8 60VDC Inputs , 1 Group of 2 NO and 2 NC Relays | 8- discrete input/4- discrete output |
| DF41 | 2 Groups of 8 pulse inputs – low frequency                  | 16-pulse input                       |
| DF42 | 2 Groups of 8 pulse inputs – high frequency                 | 16-pulse input                       |
| DF43 | 1 Group of 8 analog Inputs                                  | 8-analog input                       |
| DF44 | 1 Group of 8 analog inputs with shunt resistors             | 8-analog input                       |

| Code | Description  | I/O Type        |
|------|--|-----------------|
| DF57 | 1 Group of 8 differential analog inputs with shunt resistors | 8-analog input  |
| DF45 | 1 Group of 8 temperature Inputs                              | 8-temperature   |
| DF46 | 1 Group of 4 analog output                                   | 4-analog output |

The execution method of this transducer block will write to all output modules and it will read all the input modules. If any I/O module has failed in this scan, it will be indicated in BLOCK\_ERR as well in the MODULE\_STATUS\_x. It makes easy to find the module in failure or even the sensor.

**All the I/O modules in the previous table may be accessed directly using Input/Output Function Blocks without a transducer block, except for the DF-45 that requires the TEMP block.**

### BLOCK\_ERR

The BLOCK\_ERR of the HC block will reflect the following causes:

- Lost static data – Low battery voltage indication
- Device needs maintenance now – High temperature in the CPU
- Input Failure – a physical input point in failure
- Output Failure – a physical output point in failure
- Out of Service – When the block is in O/S mode.

### Supported Modes

O/S and AUTO.

### Parameters

| Idx | Parameter  | Data Type (length) | Valid Range/ Options  | Default Value | Units | Store / Mode | Description   |
|-----|------------|--------------------|---|---------------|-------|--------------|---|
| 1   | ST_REV     | Unsigned16         |   | 0             | None  | S            |   |
| 2   | TAG_DESC   | OctString(32)      |   | Spaces        | Na    | S            |   |
| 3   | STRATEGY   | Unsigned16         |   | 0             | None  | S            |   |
| 4   | ALERT_KEY  | Unsigned8          | 1 to 255  | 0             | None  | S            |   |
| 5   | MODE_BLK   | DS-69              |   | O/S           | Na    | S            | See Mode Parameter  |
| 6   | BLOCK_ERR  | Bitstring(2)       |   |               | E     | D / RO       |   |
| 7   | REMOTE_IO  | Unsigned8          | 0 : Remote I/O Master<br>1 : Remote I/O Slave 1<br>2 : Remote I/O Slave 2<br>3 : Remote I/O Slave 3<br>4 Remote I/O Slave 4<br>5 : Remote I/O Slave 5<br>6 : Remote I/O Slave 6 | 0             | E     | RO           | Identification for master remote I/O. It supports only the I/O Master option. |
| 8   | IO_TYPE_R0 | 4 Unsigned8        |   | 0             | E     | S / O/S      | Select module type for the rack 0   |
| 9   | IO_TYPE_R1 | 4 Unsigned8        |   | 0             | E     | S / O/S      | Select module type for the rack 1   |
| 10  | IO_TYPE_R2 | 4 Unsigned8        |   | 0             | E     | S / O/S      | Select module type for the rack 2   |
| 11  | IO_TYPE_R3 | 4 Unsigned8        |   | 0             | E     | S / O/S      | Select module type for the rack 3   |
| 12  | IO_TYPE_R4 | 4 Unsigned8        |   | 0             | E     | S / O/S      | Select module type for the rack 4   |
| 13  | IO_TYPE_R5 | 4 Unsigned8        |   | 0             | E     | S / O/S      | Select module type for the rack 5   |
| 14  | IO_TYPE_R6 | 4 Unsigned8        |   | 0             | E     | S / O/S      | Select module type for the rack 6   |
| 15  | IO_TYPE_R7 | 4 Unsigned8        |   | 0             | E     | S / O/S      | Select module type for the rack 7   |
| 16  | IO_TYPE_R8 | 4 Unsigned8        |   | 0             | E     | S / O/S      | Select module type for the rack 8   |

| Idx | Parameter            | Data Type<br>(length) | Valid Range/<br>Options | Default<br>Value | Units | Store /<br>Mode | Description  |
|-----|----------------------|-----------------------|-------------------------|------------------|-------|-----------------|--|
| 17  | IO_TYPE_R9           | 4 Unsigned8           |                         | 0                | E     | S / O/S         | Select module type for the rack 9  |
| 18  | IO_TYPE_R10          | 4 Unsigned8           |                         | 0                | E     | S / O/S         | Select module type for the rack 10   |
| 19  | IO_TYPE_R11          | 4 Unsigned8           |                         | 0                | E     | S / O/S         | Select module type for the rack 11   |
| 20  | IO_TYPE_R12          | 4 Unsigned8           |                         | 0                | E     | S / O/S         | Select module type for the rack 12   |
| 21  | IO_TYPE_R13          | 4 Unsigned8           |                         | 0                | E     | S / O/S         | Select module type for the rack 13   |
| 22  | IO_TYPE_R14          | 4 Unsigned8           |                         | 0                | E     | S / O/S         | Select module type for the rack 14   |
| 23  | MODULE_STATUS_R0_3   | Bitstring(2)          |                         |                  |       | D / RO          | Status of modules in rack 0-3.   |
| 24  | MODULE_STATUS_R4_7   | Bitstring(2)          |                         |                  |       | D / RO          | Status of modules in rack 4-7.   |
| 25  | MODULE_STATUS_R8_11  | Bitstring(2)          |                         |                  |       | D / RO          | Status of modules in rack 8-11.  |
| 26  | MODULE_STATUS_R12_14 | Bitstring(2)          |                         |                  |       | D / RO          | Status of modules in rack 12-14.   |
| 27  | UPDATE_EVT           | DS-73                 |                         |                  | Na    | D               | This alert is generated by any change to the static data.  |
| 28  | BLOCK_ALM            | DS-72                 |                         |                  | Na    | D               | The block alarm is used for all configuration, hardware, and connection failure or system problems in the block. The cause of the alert is entered in the subcode field. The first alert to become active will set the Active status in the Status attribute. As soon as the Unreported status is cleared by the alert reporting task, another block alert may be reported without clearing the Active status, if the subcode has changed. |

**Legend:** E – Enumerated Parameter; Na – Adimensional Parameter; RO – Read Only; D – Dynamic; N – Non volatile; S – Static.

*Gray Background Line: Default Parameters in Syscon*

## IDShell Transducer Block

### Description

This transducer block provides the following features:

- Configuration of the Initial Settings of the System
- Device and Block Online Diagnostics and Configuration

It is a tool that helps to achieve the interoperability with new devices into System302.

### Supported modes

O/S and AUTO.

### Parameters

| Idx | Parameter             | Data Type (length) | Valid Range/Options  | Default Value | Units | Store/Mode | Description   |
|-----|-----------------------|--------------------|--|---------------|-------|------------|---|
| 1   | ST_REV                | unsigned int       | 0 to $2^{16}$  | 0             | None  | S/RO       | FF – 891  |
| 2   | TAG_DESC              | OctString(32)      |  | Spaces        | Na    | RW         | FF – 891  |
| 3   | STRATEGY              | unsigned int       | 0 to $2^{16}$  | 0             | None  | RW         | FF – 891  |
| 4   | ALERT_KEY             | unsigned char      | 1 to 255   | 1             | None  | RW         | FF – 891  |
| 5   | MODE_BLK              | DS-69              |  | O/S           | Na    |            | FF – 891  |
| 6   | BLOCK_ERR             | Bitstring(2)       |  |               | E     | D/RO       | FF – 891  |
| 7   | UPDATE_EVT            | EventUpdate        |  |               |       |            | FF – 891  |
| 8   | BLOCK_ALM             | AlarmDiscrete      |  |               |       |            | FF – 891  |
| 9   | TRANSDUCER_DIRECTORY  | unsigned int       | 0 to $2^{16}$  |               |       | RO         | A directory that specifies the number and the starting indices of the transducers in the transducer block. (FF – 903)   |
| 10  | TRANSDUCER_TYPE       | unsigned int       | 0 to $2^{16}$  |               |       | RO         | Identifies the transducer that follows. (FF – 903)  |
| 11  | XD_ERROR              | unsigned char      | 1 to 255   |               |       | RO         | Defines one of the error codes. (FF – 903)  |
| 12  | COLLECTION_DIRECTORY  | unsigned long      | 0 to $2^{32}$  |               |       | RO         | A directory that specifies the number, the starting indices, and DD Item IDs of data collections in each transducers in the transducer block. (FF – 903)  |
| 13  | FUNCTION_IDS          | Unsigned8          | 1:Passive<br>2:Active<br>3:Backup<br>4:Active_Not_Link_Master<br>7:Sync_Idle<br>8:Sync_Main<br>9:Sync_Backup | 7             | E     | D / RW     | <b>Role for the local device in the redundancy</b><br><b>Passive, Active, Backup and Active_Not_Link_Master are not synchronized roles, valid only for supervision and LAS redundancy. Hot Standby redundancy are set via the following roles:</b><br><b>Sync_Idle is the default role, after factory initialization. The 4<sup>th</sup> port is used to synchronize two different DF1302 processors.</b><br><b>Sync_Main indicates the preferential processor to assume the tasks.</b><br><b>Sync_Backup indicates the backup processor to assume the tasks.</b> |
| 14  | UPDATE_TIME           | unsigned long      | 0 to $2^{32}$  | 1000          |       | RW         | Update time for supervision.  |
| 15  | ACTUAL_LINK_ADDRESS_1 | unsigned int       | 0 to $2^{16}$  | 0             |       | RO         | Actual link address for Port 1.   |
| 16  | CONF_LINK_ADDRESS_1   | unsigned int       | 0 to $2^{16}$  | 0             |       | RW         | Configured link address for Port 1.   |

| Idx | Parameter                     | Data Type (length) | Valid Range/Options                         | Default Value | Units | Store/Mode | Description   |
|-----|-------------------------------|--------------------|---|---------------|-------|------------|---|
| 17  | ACTUAL_LINK_ADDRESS_2         | unsigned int       | 0 to $2^{16}$                               | 292           |       | RO         | Actual link address for Port 2.   |
| 18  | CONF_LINK_ADDRESS_2           | unsigned int       | 0 to $2^{16}$                               | 0             |       | RW         | Configured link address for Port 2.   |
| 19  | ACTUAL_LINK_ADDRESS_3         | unsigned int       | 0 to $2^{16}$                               | 293           |       | RO         | Actual link address for Port 3.   |
| 20  | CONF_LINK_ADDRESS_3           | unsigned int       | 0 to $2^{16}$                               | 0             |       | RW         | Configured link address for Port 3.   |
| 21  | ACTUAL_LINK_ADDRESS_4         | unsigned int       | 0 to $2^{16}$                               | 294           |       | RO         | Actual link address for Port 4.   |
| 22  | CONF_LINK_ADDRESS_4           | unsigned int       | 0 to $2^{16}$                               | 0             |       | RW         | Configured link address for Port 4.   |
| 23  | SELECT_IDS                    | unsigned char      | 0 to 256                                    | 0             |       | RW         | Extra functionality of IDShell Application.   |
| 24  | SOFTWARE_NAME                 | VisibleString      |   | —             |       | RO         | Name of the last software downloaded to PCI card.   |
| 25  | SYSTEM_OPERATION              | unsigned char      | Redundant<br>Single                         | Single        |       | RW         | System Operation mode (single or redundant). It will impact the calculation of SUP_UPDATE_SUGGESTED.  |
| 26  | SUP_UPDATE_CONFIGURE<br>D_ms  | unsigned long      | 0 to $2^{32}$                               | 0             |       | RW         | Target update time configured to the system. It may be achieved or not depending on the scheduled traffic, number of MVCs, number of Views, bus parameters. See macro cycle equation (1). |
| 27  | SUP_UPDATE_SUGGESTE<br>D_ms   | unsigned long      | 0 to $2^{32}$                               | —             |       | RO         | Suggested update time based on the programmed traffic on the bus (Scheduled traffic, MVCs, Views, bus parameters, maintenance traffic).<br><br>Note: Not Available.                       |
| 28  | NO_DATA_CHANGE_TIMEO<br>UT_ms | unsigned long      | 0 to $2^{32}$                               | 2000          |       | RW         | Timeout to report data even if a change is not observed.  |
| 29  | RESOURCE_FAULT                | unsigned char      | Ok<br>Failure<br>Recovered                  |               |       | RO         | Indicates lack of resource on the card.   |
| 30  | MVC_ENABLE                    | unsigned char      | Disabled<br>Enabled                         | Disabled      |       | R/W        | Enables supervision by broadcast of MVC configured by IDSHELL. When disabled IDSHELL will use normal procedures to update the requested list of Tags.                                     |
| 31  | SCHEDULE_UPDATE               | unsigned char      | Failed<br>Update Req<br>Updated<br>Updating | —             |       | R/W        | A write to this parameter will trigger the update of the LAS schedule based on the information on the network.  |
| 32  | T1_ms                         | unsigned long      | 0 to $2^{32}$                               | 8,000         |       | R/W        | T1 timer used to the SM manager to timeout the confirmation of Assign Tag, Assign Address, or Enable SM Operation from the SM Agent. See equation (2).                                    |
| 33  | T2_ms                         | unsigned long      | 0 to $2^{32}$                               | 60,000        |       | R/W        | T2 timer used by the SM Agent to timeout the Assign Address process. See equation (2).  |
| 34  | T3_ms                         | unsigned long      | 0 to $2^{32}$                               | 8,000         |       | R/W        | T3 timer used to the SM manager to timeout before send the Enable SM Operation. See equation (2).   |
| 35  | FIRST_UNPOLLED_ADDRE<br>SS    | unsigned char      | 0 to 256                                    | 48            |       | R/W        | The PCI acting as the LAS will not poll N_UNPOLLED_ADDRESS consecutive address starting on FIRST_UNPOLLED_ADDRESS.  |
| 36  | N_UNPOLLED_ADDRESS            | unsigned char      | 0 to 256                                    | 184           |       | R/W        | The PCI acting as the LAS will not poll N_UNPOLLED_ADDRESS consecutive address starting on FIRST_UNPOLLED_ADDRESS.  |

| Idx | Parameter                     | Data Type (length) | Valid Range/Options  | Default Value | Units | Store/Mode | Description  |
|-----|-------------------------------|--------------------|--|---------------|-------|------------|--|
| 37  | SLOT_TIME_octet               | unsigned int       | 0 to 2 <sup>16</sup>   | 10            |       | R/W        | Devices on the network will use SLOT TIME and MAX_RESPONSE_DELAY to set a timeout to control some activity on the network.       |
| 38  | MAX_RESPONSE_DELAY_octet      | unsigned int       | 0 to 2 <sup>16</sup>   | 8             |       | R/W        | Devices on the network will use SLOT TIME and MAX_RESPONSE_DELAY to set a timeout to control some activity on the network.       |
| 39  | MIN_INTER_PDU_DELAY_octet     | unsigned char      | 0 to 256   | 12            |       | R/W        | Minimum time that the network needs to be in silent to allow the device to be prepared to receive the next frame on the network. |
| 40  | TARGET_ROTATION_TIME_ms       | unsigned long      | 0 to 2 <sup>32</sup>   | —             |       | R/W        | Target time to LAS rotates the token to all devices in the network.  |
| 41  | MAX_CONFIRM_DELAY_ON_DATA_ms  | unsigned int       | 0 to 2 <sup>16</sup>   | 8260          |       | R/W        | Maximum timeout to be configured on client/server VCRs to wait for data confirmation.  |
| 42  | LOCAL_VCR_SELECT              | unsigned char      | First<br>Next<br>None<br>Previous  | —             |       |            | Selects a local VCR in the interface device that owns this transducer block.   |
| 43  | L_VCR_ID                      | unsigned char      |  | —             |       | R/W        | VCR selected.  |
| 44  | L_VCR_TYPE_AND_ROLE           | unsigned char      | Bnu, Publisher<br>Bnu, Subscriber<br>Qub, Client<br>Qub, Server<br>Quu, Source<br>Quu, Sink<br>Undefined | —             |       | RO         | VCR type and role.   |
| 45  | L_VCR_REMOTE_ADDRESS          | octet string, 4    |  | —             |       | RO         | VCR Remote address.  |
| 46  | L_VCR_STATISTICS_RESET        | unsigned char      | Ok<br>Reset  | —             |       | R/W        | Resets statistics of the selected VCR.   |
| 47  | L_VCR_ST_N_ABORT              | unsigned long      | 0 to 2 <sup>32</sup>   | —             |       | RO         | Number of abort on the selected VCR.   |
| 48  | L_VCR_ST_N_DT_PDU_SENT        | unsigned long      | 0 to 2 <sup>32</sup>   | —             |       | RO         | Number of DT PDU sent on the selected VCR.   |
| 49  | L_VCR_ST_N_DT_PDU_RECEIVED    | unsigned long      | 0 to 2 <sup>32</sup>   | —             |       | RO         | Number of DT PDU received on the selected VCR.   |
| 50  | L_VCR_ST_N_DT_TIMEOUT         | unsigned long      | 0 to 2 <sup>32</sup>   | —             |       | RO         | Number of DT failures caused by timeout.   |
| 51  | L_VCR_ST_REQ_REJECTED         | unsigned int       | 0 to 2 <sup>16</sup>   | —             |       | RO         | Number of request that could not be queued to this VCR.  |
| 52  | L_VCR_ST_W_REQ_REJECTED       | unsigned int       | 0 to 2 <sup>16</sup>   | —             |       | RO         | Number of write request that could not be queued to this VCR.  |
| 53  | NET_STATUS                    | bit string         | Port 0 mismatch<br>Port 1 mismatch<br>Port 2 mismatch<br>Port 3 mismatch<br>Reserved                     |               |       | RO         | It will indicate any occurrence of mismatching between PORT_N_CONF_DEV and PORT_N_DEV_READY.<br><b>Note: Not Available.</b>      |
| 54  | PORT_SELECT                   | unsigned char      | First<br>Next<br>None<br>Previous  | —             |       | R/W        | Selects the port to be analyzed or configured in the following parameters.   |
| 55  | PORT_ID                       | unsigned char      |  | 0             |       | R/W        | Port selected. (1, 2, 3 or 4)  |
| 56  | PORT_UPDATE_PROFILE           | unsigned char      | Ready<br>Start Update<br>Update<br>Processing  | —             |       | R/W        | Updates the database of all devices on the selected port.  |
| 57  | PORT_MACROCYCLE_CONFIGURED_ms | unsigned long      | 0 to 2 <sup>32</sup>   | 0             |       | R/W        | Configured macro cycle.  |
| 58  | PORT_MACROCYCLE_SUGGESTED_ms  | unsigned long      | 0 to 2 <sup>32</sup>   | —             |       | RO         | Suggested macro cycle.<br><b>Note: Not Available.</b>  |



| Idx | Parameter                   | Data Type (length)            | Valid Range/Options  | Default Value | Units | Store/Mode | Description   |
|-----|-----------------------------|-------------------------------|----------------------|---------------|-------|------------|---|
| 59  | PORT_TOKEN_ROTATION_TIME_ms | unsigned long                 | 0 to 2 <sup>32</sup> | —             |       | RO         | Actual period of time that the LAS took to rotate the token to all devices in the network.                  |
| 60  | PORT_N_CONF_DEV             | unsigned char                 | 0 to 256             | —             |       | R/W        | Number of expects stations on this network.   |
| 61  | PORT_N_DEV                  | unsigned char                 | 0 to 256             | —             |       | RO         | Number of devices on the network.   |
| 62  | PORT_N_DEV_READY            | unsigned char                 | 0 to 256             | —             |       | RO         | Number of device with complete database updated.<br><b>Note: Not Available.</b>                             |
| 63  | PORT_LIVE_LIST_STATUS_1     | bit string , 8 bytes 256 bits | De 0 a 15            | —             |       | RO         | Live list on the selected port.   |
| 64  | PORT_LIVE_LIST_STATUS_2     | bit string , 8 bytes 256 bits | De 16 a 31           | —             |       | RO         | Live list on the selected port.   |
| 65  | PORT_LIVE_LIST_STATUS_3     | bit string , 8 bytes 256 bits | De 32 a 47           | —             |       | RO         | Live list on the selected port.   |
| 66  | PORT_LIVE_LIST_STATUS_4     | bit string , 8 bytes 256 bits | De 48 a 63           | —             |       | RO         | Live list on the selected port.   |
| 67  | PORT_LIVE_LIST_STATUS_5     | bit string , 8 bytes 256 bits | De 64 a 79           | —             |       | RO         | Live list on the selected port.   |
| 68  | PORT_LIVE_LIST_STATUS_6     | bit string , 8 bytes 256 bits | De 80 a 95           | —             |       | RO         | Live list on the selected port.   |
| 69  | PORT_LIVE_LIST_STATUS_7     | bit string , 8 bytes 256 bits | De 96 a 111          | —             |       | RO         | Live list on the selected port.   |
| 70  | PORT_LIVE_LIST_STATUS_8     | bit string , 8 bytes 256 bits | De 112 a 127         | —             |       | RO         | Live list on the selected port.   |
| 71  | PORT_LIVE_LIST_STATUS_9     | bit string , 8 bytes 256 bits | De 128 a 143         | —             |       | RO         | Live list on the selected port.   |
| 72  | PORT_LIVE_LIST_STATUS_10    | bit string , 8 bytes 256 bits | De 144 a 159         | —             |       | RO         | Live list on the selected port.   |
| 73  | PORT_LIVE_LIST_STATUS_11    | bit string , 8 bytes 256 bits | De 160 a 175         | —             |       | RO         | Live list on the selected port.   |
| 74  | PORT_LIVE_LIST_STATUS_12    | bit string , 8 bytes 256 bits | De 176 a 191         | —             |       | RO         | Live list on the selected port.   |
| 75  | PORT_LIVE_LIST_STATUS_13    | bit string , 8 bytes 256 bits | De 192 a 207         | —             |       | RO         | Live list on the selected port.   |
| 76  | PORT_LIVE_LIST_STATUS_14    | bit string , 8 bytes 256 bits | De 208 a 223         | —             |       | RO         | Live list on the selected port.   |
| 77  | PORT_LIVE_LIST_STATUS_15    | bit string , 8 bytes 256 bits | De 224 a 239         | —             |       | RO         | Live list on the selected port.   |
| 78  | PORT_LIVE_LIST_STATUS_16    | bit string , 8 bytes 256 bits | De 240 a 254         | —             |       | RO         | Live list on the selected port.   |
| 79  | PORT_STATISTICS_RESET       | unsigned char                 | Ok<br>Reset          | Ok            |       | R/W        | Resets port statistics.   |
| 80  | PORT_ST_LIVE_LIST_REV       | unsigned char                 | 0 to 256             | 0             |       | RO         | Number of update on the live list. It is incremented every time a device leaves or enters in the live list. |
| 81  | PORT_ST_N_MACROCYCLE        | unsigned long                 | 0 to 2 <sup>32</sup> | 0             |       | RO         | Number of macro cycle executed by the selected port.  |
| 82  | PORT_ST_PDU_SENT            | unsigned long                 | 0 to 2 <sup>32</sup> | 0             |       | RO         | Number of frames sent by the selected port.   |
| 83  | PORT_ST_PDU_RECEIVED        | unsigned long                 | 0 to 2 <sup>32</sup> | 0             |       | RO         | Number of frames received by the selected port.   |
| 84  | PORT_ST_WRONG_FCS           | unsigned long                 | 0 to 2 <sup>32</sup> | 0             |       | RO         | Number of frames with wrong FCS received by the selected port.  |
| 85  | PORT_ST_CLAIM_LAS           | unsigned long                 | 0 to 2 <sup>32</sup> | 0             |       | RO         | Number of Claim Las process initialized by the selected port.   |
| 86  | PORT_ST_AP_DATA             | unsigned long                 | 0 to 2 <sup>32</sup> | 0             |       | RO         | Percent of application data on the bus.   |
| 87  | PORT_ST_CON_MAINTENANCE     | unsigned long                 | 0 to 2 <sup>32</sup> | 0             |       | RO         | Percent of connection maintenance data on the bus. Including residual activity and connection frame.        |
| 88  | PORT_ST_MAINTENANCE_DATA    | unsigned long                 | 0 to 2 <sup>32</sup> | 0             |       | RO         | Percent of maintenance data on the bus.   |

| Idx | Parameter                     | Data Type (length) | Valid Range/Options               | Default Value | Units | Store/Mode | Description  |
|-----|-------------------------------|--------------------|-----------------------------------|---------------|-------|------------|--|
| 89  | DEVICE_CHANGE_PASSWORD        | visible string, 32 |                                   |               |       | R/W        | Password to protect against unexpected change of the device address and device ID. Before write to device address and device ID write SYSTEM302 to this parameter. |
| 90  | DEVICE_SELECT                 | unsigned char      | First<br>Next<br>None<br>Previous | —             |       | R/W        | Selects the device to be analyzed or configured in the following parameters.   |
| 91  | DEV_ADDRESS                   | unsigned char      | 0 to 256                          | —             |       | R/W        | Address of the selected device. Also used to select device by address.   |
| 92  | DEV_ID                        | visible string     |                                   | —             |       | R/W        | Device ID of the selected device.  |
| 93  | DEV_TAG                       | visible string     |                                   | —             |       | RO         | Device Tag.  |
| 94  | DEV_STATUS                    | unsigned char      | None<br>Alive<br>Complete DB      | —             |       | RO         | Device database status in the interface Device.  |
| 95  | DEV_FORCE_OUT                 | unsigned char      | Force<br>Ok                       | Ok            |       | R/W        | Write to this parameter triggers interface device to force the selected device to leave the network. It will be polled afterwards.                                 |
| 96  | DEV_MANUFACTURER_ID           | OctetString        |                                   | —             |       | RO         | Device Manufacture ID.   |
| 97  | DEV_TYPE_2                    | OctetString        |                                   | —             |       | RO         | Device Type.   |
| 98  | DEV_FIRST_BLOCK_INDEX         | unsigned int       | 0 to 2 <sup>16</sup>              | —             |       | RO         | Index of the first Function Block of the selected device.  |
| 99  | DEV_FIRST_VCR_INDEX           | unsigned int       | 0 to 2 <sup>16</sup>              | —             |       | RO         | Index of the first VCR of the selected device.   |
| 100 | DEV_FIRST_OBJECT_LINK_INDEX   | unsigned int       | 0 to 2 <sup>16</sup>              | —             |       | RO         | Index of the first Object Link of the selected device.   |
| 101 | DEV_FIRST_FBSTART_INDEX       | unsigned int       | 0 to 2 <sup>16</sup>              | —             |       | RO         | Index of the first FB Start parameter of the selected device. FB Start defines the Function Block schedule.  |
| 102 | DEV_VFD_ID_SM                 | unsigned long      | 0 to 2 <sup>32</sup>              | —             |       | RO         | VFD ID for system management and network management.   |
| 103 | DEV_VFD_ID_FBAP               | unsigned char      | 0 to 256                          | —             |       | RO         | VFD ID for function block application.   |
| 104 | DEV_T1_ms                     | unsigned long      | 0 to 2 <sup>32</sup>              | —             |       | R/W        | T1 timer used to the SM manager to timeout the confirmation of Assign Tag, Assign Address, or Enable SM Operation from the SM Agent.                               |
| 105 | DEV_T2_ms                     | unsigned long      | 0 to 2 <sup>32</sup>              | —             |       | R/W        | T2 timer used by the SM Agent to timeout the Assign Address process.   |
| 106 | DEV_T3_ms                     | unsigned long      | 0 to 2 <sup>32</sup>              | —             |       | R/W        | T3 timer used to the SM manager to timeout before send the Enable SM Operation.  |
| 107 | DEV_SLOT_TIME_octet           | unsigned int       | 0 to 2 <sup>16</sup>              | —             |       | R/W        | Devices on the network will use SLOT TIME and MAX_RESPONSE_DELAY to set a timeout to control some activity on the network.   |
| 108 | DEV_MAX_RESPONSE_DELAY_octet  | unsigned int       | 0 to 2 <sup>16</sup>              | —             |       | R/W        | Devices on the network will use SLOT TIME and MAX_RESPONSE_DELAY to set a timeout to control some activity on the network.   |
| 109 | DEV_MIN_INTER_PDU_DELAY_octet | unsigned int       | 0 to 2 <sup>16</sup>              | —             |       | R/W        | Minimum time that the network needs to be silent to allow device to be ready to receive the next frame on the network.   |
| 110 | DEV_MACROCYCLE_ms             | unsigned long      | 0 to 2 <sup>32</sup>              | —             |       | R/W        | Macro cycle for the function block application.  |
| 111 | DEV_BLOCK_SELECT              | unsigned char      | First<br>Next<br>None<br>Previous |               |       | R/W        | Selects the block to be analyzed or configured in the following parameters.  |

| Idx | Parameter                   | Data Type (length) | Valid Range/Options  | Default Value | Units | Store/Mode | Description  |
|-----|-----------------------------|--------------------|--|---------------|-------|------------|--|
| 112 | BLK_TYPE                    | unsigned char      | No Selection<br>Resource<br>Transducer<br>Function Block   | —             |       | RO         | Block Type (Resource, Transducer, or Function Block).  |
| 113 | BLK_INDEX                   | unsigned int       | 0 to 2 <sup>16</sup>   | —             |       | R/W        | Block Index.   |
| 114 | BLK_TAG                     | visible string     |  | —             |       | R/W        | Block Tag.   |
| 115 | BLK_DD_ITEM                 | octet string       |  | —             |       | RO         | Block DD Item.   |
| 116 | BLK_FIRST_VIEW_INDEX        | unsigned int       | 0 to 2 <sup>16</sup>   | —             |       | RO         | Block index of first View.   |
| 117 | DEV_VCR_SELECT              | unsigned char      | First<br>Next<br>None<br>Previous  | —             |       | R/W        | Selects the device VCR to be analyzed or configured in the following parameters.               |
| 118 | VCR_INDEX                   | unsigned char      | 0 to 256   | —             |       | R/W        | Selected VCR.  |
| 119 | VCR_TYPE_AND_ROLE           | unsigned char      | Bnu, Publisher<br>Bnu, Subscriber<br>Qub, Client<br>Qub, Server<br>Quu, Source<br>Quu, Sink<br>Undefined | —             |       | R/W        | VCR type and role.   |
| 120 | VCR_LOCAL_ADDR              | octet string, 4    |  | —             |       | R/W        | VCR Local address.   |
| 121 | VCR_REMOTE_ADDR             | octet string, 4    |  | —             |       | R/W        | VCR Remote address.  |
| 122 | VCR_PRIORITY                | unsigned char      | Invalid<br>Normal<br>Time Available<br>Urgent  | —             |       | R/W        | VCR priority.  |
| 123 | VCR_DELIVERY_FEATURES       | unsigned char      | Classical<br>Disordered<br>Invalid<br>Ordered<br>Unordered   | —             |       | R/W        | VCR delivery features.   |
| 124 | VCR_AUTHENTICATION          | unsigned char      | Invalid<br>Maximal<br>Short<br>Source  | —             |       | R/W        | VCR authentication.  |
| 125 | VCR_MAX_DLSDU_SIZE          | unsigned int       | 0 to 2 <sup>16</sup>   | —             |       | R/W        | VCR Maximum Dlsdu size.  |
| 126 | VCR_VFD_ID                  | octet string, 4    |  | —             |       | R/W        | VFD associated with the selected VCR.  |
| 127 | VCR_FEATURES_SUPPORTED_SEND | octet string, 4    |  | —             |       | R/W        | VCR features supported for the send direction.   |
| 128 | VCR_FEATURES_SUPPORTED_RCV  | octet string, 4    |  | —             |       | R/W        | VCR features supported for the receive direction.  |
| 129 | VCR_WRITE_CMD               | unsigned char      | Access Ok<br>Read Req<br>Write Req   | —             |       | R/W        | A write to this parameter will trigger the write for the selected VCR with the changed values. |
| 130 | DEV_OBJECT_LINK_SELECT      | unsigned char      | First<br>Next<br>None<br>Previous  | —             |       | R/W        | Selects the device object link to be analyzed or configured in the following parameters.       |
| 131 | OBJECT_LINK_ID              | unsigned char      | 0 to 256   | —             |       | R/W        | Selected object link.  |
| 132 | LNK_LOCAL_INDEX             | unsigned int       | 0 to 2 <sup>16</sup>   | —             |       | R/W        | Local index.   |
| 133 | LNK_VCR                     | unsigned int       | 0 to 2 <sup>16</sup>   | —             |       | R/W        | Index of the VCR associated with the selected object link.                                     |
| 134 | LNK_REMOTE_INDEX            | unsigned int       | 0 to 2 <sup>16</sup>   | —             |       | R/W        | Remote index.  |
| 135 | LNK_SERVICE                 | unsigned char      | Alert<br>Local<br>MVC<br>Publisher<br>Subscriber<br>Trend<br>Undefined                                   | —             |       | R/W        | Service performed by the selected object link.   |

| Idx | Parameter                  | Data Type (length) | Valid Range/Options                | Default Value | Units | Store/Mode | Description  |
|-----|----------------------------|--------------------|------------------------------------|---------------|-------|------------|--|
| 136 | LNK_STALE_CNT              | unsigned char      | 0 to 256                           | —             |       | R/W        | The maximum number of consecutive stale input value before the status is set to BAD.   |
| 137 | LNK_WRITE_CMD              | unsigned char      | Access Ok<br>Read Req<br>Write Req | Ok            |       | R/W        | A write to this parameter will trigger the write for the selected object link with the changed values.   |
| 138 | DEV_FBSTART_SELECT         | unsigned char      | First<br>Next<br>None<br>Previous  | —             |       | R/W        | Select the device FB start parameter to be analyzed or configured in the following parameters.   |
| 139 | FBSTART_ID                 | unsigned char      | 0 to 256                           | —             |       | R/W        | Selected FB Start.   |
| 140 | FBSTART_OFFSET_ms          | unsigned int       | 0 to 2 <sup>16</sup>               | —             |       | R/W        | Offset time from the start of each macro cycle when the function block associated with this parameter will be executed.  |
| 141 | FBSTART_FB_INDEX           | unsigned int       | 0 to 2 <sup>16</sup>               | —             |       | R/W        | Index of the function block associated with this parameter.  |
| 142 | FBSTART_VFD_ID             | unsigned long      | 0 to 2 <sup>32</sup>               | —             |       | R/W        | VFD associated with this parameter.  |
| 143 | FBSTART_WRITE_CMD          | unsigned char      | Access Ok<br>Read Req<br>Write Req | Access Ok     |       | R/W        | A write to this parameter will trigger the write for the selected FB Start parameter with the changed values.  |
| 144 | WR_PARAMETER_VFD           | unsigned char      | MIB<br>FBAP                        | —             |       | R/W        | VFD to which the parameter to be read/written belongs.   |
| 145 | RW_PARAMETER_INDEX         | unsigned int       | 0 to 2 <sup>16</sup>               | —             |       | R/W        | Index of a parameter to be read/writing.   |
| 146 | RW_PARAMETER_LENGTH        | unsigned char      | 0 to 256                           | —             |       | R/W        | Length of a parameter to be read/writing.  |
| 147 | RW_PARAMETER_DATA          | octet string, 100  |                                    |               |       | R/W        | Read data or data to be written.   |
| 148 | RW_READ_CMD                | unsigned char      | Access Ok<br>Read Req<br>Write Req | Access Ok     |       | R/W        | A write to this parameter will trigger the read for the selected parameter.  |
| 149 | RW_WRITE_CMD               | unsigned char      | Access Ok<br>Read Req<br>Write Req | Access Ok     |       | R/W        | A write to this parameter will trigger the write for the selected parameter with the changed values in RW_PARAMETER_DATA.  |
| 150 | DEV_STATISTICS_RESET       | unsigned char      | Ok<br>Reset                        | —             |       | R/W        | Resets Device Statistics.  |
| 151 | DEV_ST_N_LIVE_LIST_IN_OUT  | unsigned int       | 0 to 2 <sup>16</sup>               | —             |       | RO         | Number of times the device get in the interface device live list.  |
| 152 | DEV_ST_N_PT_RETRIES        | unsigned int       | 0 to 2 <sup>16</sup>               | —             |       | RO         | Number of pass token retries to this device.   |
| 153 | DEV_ST_N_DT_RETRIES        | unsigned int       | 0 to 2 <sup>16</sup>               | —             |       | RO         | Number of data retries to this device.   |
| 154 | DEV_ST_N_DLPDU_TRANSMITTED | unsigned long      | 0 to 2 <sup>32</sup>               | —             |       | RO         | Device number of DLPDU transmitted.  |
| 155 | DEV_ST_N_GOOD_DLPDU_RCV    | unsigned long      | 0 to 2 <sup>32</sup>               | —             |       | RO         | Device number of good DLPDU received.  |
| 156 | DEV_ST_N_PARTIAL_RCV_PDU   | unsigned long      | 0 to 2 <sup>32</sup>               | —             |       | RO         | Device number of partial DLPDU received.   |
| 157 | DEV_ST_N_FCS_FAILURES      | unsigned long      | 0 to 2 <sup>32</sup>               | —             |       | RO         | Device number of DLPDU with wrong FCS received.  |
| 158 | DOWNLOAD_CONF_STATUSES     | unsigned char      | Ok<br>No data<br>Processing        | No data       |       | RO         | Status of maintenance procedure to download a configuration to a device based on the configuration saved previously on the interface device memory.<br><b>Note: Not Available. Replaced by partial download.</b> |
| 159 | READ_CONF                  | unsigned char      | Ok<br>Run                          | Ok            |       | R/W        | Command to read configuration and save on interface device memory.<br><b>Note: Not Available. Replaced by partial download.</b>  |

| Idx | Parameter          | Data Type (length) | Valid Range/ Options  | Default Value | Units | Store/ Mode | Description   |
|-----|--------------------|--------------------|---|---------------|-------|-------------|---|
| 160 | DOWNLOAD_CONF      | unsigned char      | Ok<br>Run   | Ok            |       | R/W         | Command to download the last saved configuration to a device or set of devices.<br><b>Note: Not Available. Replaced by partial download.</b>                  |
| 161 | BLK_EXECUTION_TIME | unsigned long      | 0 to 2 <sup>32</sup>  | 0             |       | RO          | Block Execution Time. This parameter belongs to the block section.  |
| 162 | APPLICATION_TIME   | timevalue          |   | —             |       | R/W         | Adjusts the application time, in the interface device.  |
| 163 | FEATURES           | bitstring          | SM Timers optimization<br>Automatic set tag/address<br>FB Link status monitoring<br>Hot Swap<br>IDShell                       |               |       |             | Enables automatic procedures of the IDShell. Check notes (3).<br><b>Note: Not Available.</b>  |
| 164 | HOT_SWAP_STATE     | unsigned char      | Disable<br>Idle<br>Verifying<br>Configuring<br>Rebuilding   |               |       |             | Reports the procedure status when a device is replaced or re-configured.<br><b>Note: Not Available.</b>   |
| 165 | FB_LINK_STATUS     | unsigned char      | Disable<br>Ok<br>Failure  |               |       |             | Indicates the status of the strategy links.<br><b>Note: Not Available.</b>  |
| 166 | REBUILD            |                    | DD Database<br>Hot Swap<br>Database<br>MVC<br>Configuration - Active Station<br>MVC<br>Configuration - Backup Station<br>None |               |       |             | Triggers special procedures of the IDShell Application. Check notes (4).  |
| 167 | DD_DATABASE_STATUS | unsigned char      | Disable<br>Failure<br>Building<br>Idle  |               |       |             | Indicates the status of the database kept by the Interface Device that contains the information of data types and function block objects.                     |
| 168 | MVC_STATE          | unsigned char      | Disable<br>Configuring<br>Idle  |               |       |             | Reports the state of the machine that configures the MVC.<br><b>Note: Not Available.</b>  |
| 169 | RED_ROLE_L         | Unsigned8          | 1:Passive<br>2:Active<br>3:Backup<br>4:Active_Not_Link_Master<br>7:Sync_Idle<br>8:Sync_Main<br>9:Sync_Backup                  | 7             | E     | D / RO      | Redundancy Role for the local device Idem FUNCTION_IDS description.   |
| 170 | RED_STATE_L        | Unsigned8          | 0:Not Ready<br>1:Standby<br>2:Active  | 0             | E     | D / RO      | Redundancy State for the local device<br><b>Not Ready</b> – Not ready to run.<br><b>Standby</b> – Live but not running.<br><b>Active</b> – Running the tasks. |

| Idx | Parameter            | Data Type (length) | Valid Range/Options  | Default Value | Units | Store/Mode | Description  |
|-----|----------------------|--------------------|--|---------------|-------|------------|--|
| 171 | RED_SYNC_STATUS_L    | Unsigned8          | 0: Not defined<br>1: Stand Alone<br>2: Synchronizing<br>3: Updating Remote<br>4: Maintenance<br>5: Synchronized<br>6: WARNING: Role Conflict<br>7: WARNING: Sync Cable Fail<br>8: WARNING: Updating Remote Fail<br>9: Warning 1<br>10: Warning 2 | 0             | E     | D / RO     | Synchronism Status for the local device<br>0: Initial value<br>1: Stand alone operation<br>2: Checking configuration for synchronize<br>3: Transferring all the configuration to remote<br>4: Receiving all the configuration from remote<br>5: The modules are completely updated with each other<br>6: The spare module has the same Role of that is running<br>7: Fail on the synchronism cable<br>8: Fail on the updating remote<br>9: Future use<br>10: Future use  |
| 172 | RED_ROLE_R           | Unsigned8          | 7:Sync_Idle<br>8:Sync_Main<br>9:Sync_Backup  | 7             | E     | D / RO     | Redundancy Role for the remote device<br>Idem FUNCTION_IDS description.  |
| 173 | RED_STATE_R          | Unsigned8          | 0:Not Ready<br>1:Standby<br>2:Active   | 0             | E     | D / RO     | Redundancy State for the remote device<br>Idem RED_STATE_L description.  |
| 174 | RED_SYNC_STATUS_R    | Unsigned8          | 0: Not defined<br>1: Stand Alone<br>2: Synchronizing<br>3: Updating Remote<br>4: Maintenance<br>5: Synchronized<br>6: WARNING: Role Conflict<br>7: WARNING: Sync Cable Fail<br>8: WARNING: Updating Remote Fail<br>9: Warning 1<br>10: Warning 2 | 0             | E     | D / RO     | Synchronism Status for the remote device<br>0: Initial value<br>1: Stand alone operation<br>2: Checking configuration for synchronize<br>3: Transferring all the configuration to remote<br>4: Receiving all the configuration from remote<br>5: The modules are completely updated with each other<br>6: The spare module has the same Role of that is running<br>7: Fail on the synchronism cable<br>8: Fail on the updating remote<br>9: Future use<br>10: Future use |
| 175 | RED_BAD_CONDITIONS_L | Bitstring(2)       |  | <None>        | E     | D / RO     | Bad conditions for the local device<br>See detailed description on users manual  |
| 176 | RED_BAD_CONDITIONS_R | Bitstring(2)       |  | <None>        | E     | D / RO     | Bad conditions for the remote device<br>See detailed description on users manual   |
| 177 | RED_RESERVED1        | Unsigned8          | 0 ~ 255  | 0             | NA    | D / RW     | Reserved for future use.   |
| 178 | RED_RESERVED2        | Unsigned8          | 0 ~ 255  | 0             | NA    | D / RW     | Reserved for future use.   |

| Idx | Parameter      | Data Type (length) | Valid Range/Options | Default Value | Units | Store/Mode | Description                                    |
|-----|----------------|--------------------|---------------------|---------------|-------|------------|--|
| 179 | RED_MAIN_WDG   | Unsigned8          | 0 ~ 255             | 0             | NA    | D / RO     | Watchdog indicating communication with Main.   |
| 180 | RED_BACKUP_WDG | Unsigned8          | 0 ~ 255             | 0             | NA    | D / RO     | Watchdog indicating communication with Backup. |

**Legend: E – Enumerated parameter; Na – Adimensional parameter; RO – Read only; D – dynamic; N – non-volatile; S - Static**

**Gray Background Line: Custom Parameters**

**Notes:**

**(1) Macro cycle Equation:**

$$T_M = (N_E * 30 + N_D * T_R) * 1.2$$

where  $T_M$  = macro cycle (ms)

$N_E$  = number of external links

$N_D$  = number of devices

$T_R$  = 30 ms for single operation or

60 ms for redundant operation

**(2) Equation:**

$$T_1 < T_2 > T_3$$

$T_3 >$  cycle to poll the valid address in the network.

**(3) SM Timers Optimization - default: enabled.**

IDShell will find the value of  $T_1$ ,  $T_2$ ,  $T_3$  suitable to the system.

**Automatic Set Tag/Address - default: enabled.**

IDShell will automatically set a valid address and tag to a device added to the network. IDShell will solve any collision of address and/or tag.

**FB Link Status Monitoring - default: disabled.**

IDShell monitor all function block links and indicates the status through `FB_LINK_STATUS`.

**Hot Swap - default: disabled.**

IDShell hold information of the function block links for all 4 ports and automatically perform the configuration of the device if Hot Swap function is enabled.

**(4) DD Database – the current database is created and a new database with the data types and function block object is rebuild.**

Hot Swap Database – IDShell build the function block link database from the information in the network.

MVC Configuration - Active Station/Backup Station – IDShell re-configure the MVC to optimize the communication performance of the network.



## Input Transducer Blocks

### LD292 / LD302 - Pressure Transducer

#### Description

The pressure transducer makes the corrected pressure sensor reading PRIMARY\_VALUE available to the AI block. The engineering unit and the primary value range are selected from the XD\_SCALE in the AI block. The units allowed are: Pa, KPa, MPa, bar, mbar, torr, atm, psi, g/cm<sup>2</sup>, kg/cm<sup>2</sup>, inH2O a 4°C, inH2O a 68°F, mmH2O a 68°F, mmH2O a 4°C, ftH2O a 68°F, inHg a 0°C, mmHg a 0°C. The XD\_SCALE range must be inside the sensor range in the unit selected. Note that the XD\_SCALE should be used to cancel out wet-legs etc. instead of calibration. The supported mode is OOS and AUTO. As the transducer block runs together with AI block, the transducer block goes to AUTO only if the AI mode block is already in AUTO. The sensor temperature may be read from the SECONDARY\_VALUE parameter.

Warning messages may appear in Primary Value status or in the Block Error in certain condition as explain below.

#### Supported Modes

OOS and AUTO.

#### BLOCK\_ERR

The BLOCK\_ERR of the transducer block will reflect the following causes:

- Input Failure – When sensor is disconnected from main electronic board, or the pressure is higher or lower 27.5% of the sensor limit;
- Out of Service – When the block is in OOS mode.

#### Primary\_Value Status

The PRIMARY\_VALUE status of the transducer block will reflect the following causes:

- Bad::SensorFailure:NotLimited – When sensor is disconnected from main electronic board, or the pressure is higher or lower 27.5% of the sensor limit;
- Uncertain::SensorConversionNotAccurate:NotLimited – when pressure is between 27.5% of sensor limit and the sensor limit.

#### Parameters

| Idx | Parameter            | Data Type            | Valid Range     | Initial/ Default Value | Units       | Store    | Description   |
|-----|----------------------|----------------------|-----------------|------------------------|-------------|----------|---|
| 1   | ST_REV               | Unsigned16           | Positive        | 0                      | None        | S        | Indicates the level of static data.   |
| 2   | TAG_DESC             | VisibleString        |                 | Null                   | Na          | S        | Description of Transducer Block.  |
| 3   | STRATEGY             | Unsigned16           |                 | 0                      | None        | S        | This parameter is not checked and processed by Transducer Block.                    |
| 4   | ALERT_KEY            | Unsigned8            | 1-255           | 0                      | Na          | S        | Number of identification in the plant.  |
| 5   | <b>MODE_BLK</b>      | <b>DS-69</b>         | <b>OOS,AUTO</b> | <b>OOS</b>             | <b>None</b> | <b>S</b> | <b>Indicates the operation mode of Transducer Block.</b>                            |
| 6   | <b>BLOCK_ERR</b>     | <b>Bit String</b>    |                 | <b>Out of Service</b>  | <b>E</b>    | <b>D</b> | <b>Indicates the status associated with hardware or software in the Transducer.</b> |
| 7   | UPDATE_EVT           | DS-73                |                 | *                      | Na          | D        | It is the alert for any static data.  |
| 8   | BLOCK_ALM            | DS-72                |                 | *                      | Na          | D        | It is used for configuration, hardware and others failures.                         |
| 9   | TRANSDUCER_DIRECTOR  | Array of Unsigned16  |                 | 0                      | None        | N        | It is used to select several Transducer Blocks.                                     |
| 10  | TRANSDUCER_TYPE      | Unsigned16           |                 | Pressure               | None        | N        | Indicates the type of Transducer according to its class.                            |
| 11  | XD_ERROR             | Unsigned8            |                 | Default value set      | None        | D        | It is used to indicate calibration status.  |
| 12  | COLLECTION_DIRECTORY | Array of Unsigned 32 |                 | 0                      | None        | S        | Specifies the number of transducer index into Transducer Block.                     |
| 13  | PRIMARY_VALUE_TYPE   | Unsigned16           |                 | Diff Pressure          | None        | S        | Defines the calculation type for Transducer Block.                                  |

| Idx | Parameter                 | Data Type     | Valid Range          | Initial/ Default Value | Units | Store | Description  |
|-----|---------------------------|---------------|----------------------|------------------------|-------|-------|--|
| 14  | PRIMARY_VALUE             | DS-65         |                      | *                      | PVR   | D     | It is the value and status used by channel.  |
| 15  | PRIMARY_VALUE_RANGE       | DS-68         |                      | *                      | PVR   | S     | The High and Low range limit values, the engineering unit code and the number of digits to the right of the decimal point to be used for Primary Value.  |
| 16  | CAL_POINT_HI              | Float         |                      | *                      | CU    | S     | The highest calibrated value.  |
| 17  | CAL_POINT_LO              | Float         |                      | *                      | CU    | S     | The lowest calibrated value.   |
| 18  | CAL_MIN_SPAN              | Float         | URL/40 to URL        | *                      | CU    | S     | The minimum calibration span value allowed. This minimum span information is necessary to ensure that when calibration is done, the two calibrated points (high and low) are not too close together. |
| 19  | CAL_UNIT                  | Unsigned16    |                      | *                      | E     | S     | The Device Description engineering units code index for the calibration values.  |
| 20  | SENSOR_TYPE               | Unsigned16    |                      | Capacitance            | Na    | S     | The type of sensor.  |
| 21  | SENSOR_RANGE              | DS-68         |                      | *                      | PVR   | S     | The range of sensor.   |
| 22  | SENSOR_SN                 | Unsigned32    | 0 to 2 <sup>32</sup> | *                      | None  | S     | The serial number of sensor.   |
| 23  | SENSOR_CAL_METHOD         | Unsigned8     |                      | Factory Cal.           | None  | S     | The method of last sensor calibration. ISO defines several standard methods of calibration. This parameter is intended to record that method, or if some other method was used.                      |
| 24  | SENSOR_CAL_LOC            | VisibleString |                      | NULL                   | None  | S     | The location of last sensor calibration. This describes the physical location at which the calibration was performed.  |
| 25  | SENSOR_CAL_DATE           | Time of Day   |                      | Unspecified            | None  | S     | The date of the last sensor calibration.   |
| 26  | SENSOR_CAL_WHO            | VisibleString |                      | NULL                   | None  | S     | The name of person who is in charge of last calibration.   |
| 27  | SENSOR_ISOLATION_MATERIAL | Unsigned16    |                      | Unspecified            | None  | S     | Defines the construction material of the isolating diaphragms.   |
| 28  | SENSOR_FLUID              | Unsigned16    |                      | Inert                  | None  | S     | Defines the type of fill fluid used in the sensor  |
| 29  | SECONDARY_VALUE           | DS-65         |                      | *                      | SVU   | D     | The secondary value (temperature value), related to the sensor.  |
| 30  | SECONDARY_VALUE_UNIT      | Unsigned16    |                      | Celsius                | E     | S     | The engineering units to be used with SECONDARY_VALUE.   |
| 31  | PRESS_LIN_NORMAL          | DS-65         | ± 1                  | *                      | None  | D     | The Linear Normalized Pressure value.  |
| 32  | PRESS_NORMAL              | DS-65         | ± 1                  | *                      | None  | D     | The Normalized Pressure value.   |
| 33  | PRESS_CUTOFF              | DS-65         | ± 1                  | *                      | None  | D     | The Cutoff Pressure value.   |
| 34  | CUTOFF_FLAG               | Unsigned8     | True/False           | False                  | None  | S     | The bypass flag for Pressure value.  |
| 35  | DIGITAL_TEMPERATURE       | DS-65         | 0-255                | *                      | None  | D     | The digital temperature value.   |
| 35  | DIFF                      | Float         |                      | *                      | None  | D     | The differential pressure value.   |
| 37  | YDIFF                     | Float         |                      | *                      | None  | D     | The y differential pressure value.   |
| 38  | CAPACITANCE_LOW           | Float         |                      | *                      | None  | D     | The low capacitance value.   |
| 39  | CAPACITANCE_HIGH          | Float         |                      | *                      | None  | D     | The high capacitance value.  |
| 40  | BACKUP_RESTORE            | Unsigned8     |                      | None                   | None  | S     | This parameter is used to backup or to restore configuration data.   |
| 41  | SENSOR_RANGE_CODE         | Unsigned16    |                      | *                      | None  | S     | Indicates the sensor range code.   |
| 42  | COEFF_POL0                | Float         | ± INF                | *                      | None  | S     | The polynomial coefficient 0.  |
| 43  | COEFF_POL1                | Float         | ± INF                | *                      | None  | S     | The polynomial coefficient 1.  |
| 44  | COEFF_POL2                | Float         | ± INF                | *                      | None  | S     | The polynomial coefficient 2.  |

| Idx | Parameter                      | Data Type          | Valid Range | Initial/ Default Value        | Units | Store | Description   |
|-----|--------------------------------|--------------------|-------------|-------------------------------|-------|-------|---|
| 45  | COEFF_POL3                     | Float              | ± INF       | *                             | None  | S     | The polynomial coefficient 3.   |
| 46  | COEFF_POL4                     | Float              | ± INF       | *                             | None  | S     | The polynomial coefficient 4.   |
| 47  | COEFF_POL5                     | Float              | ± INF       | *                             | None  | S     | The polynomial coefficient 5.   |
| 48  | COEFF_POL6                     | Float              | ± INF       | *                             | None  | S     | The polynomial coefficient 6.   |
| 49  | COEFF_POL7                     | Float              | ± INF       | *                             | None  | S     | The polynomial coefficient 7.   |
| 50  | COEFF_POL8                     | Float              | ± INF       | *                             | None  | S     | The polynomial coefficient 8.   |
| 51  | COEFF_POL9                     | Float              | ± INF       | *                             | None  | S     | The polynomial coefficient 9.   |
| 52  | COEFF_POL10                    | Float              | ± INF       | *                             | None  | S     | The polynomial coefficient 10.  |
| 53  | COEFF_POL11                    | Float              | ± INF       | *                             | None  | S     | The polynomial coefficient 11.  |
| 54  | POLYNOMIAL_VERSION             | Unsigned8          | 30h to FFh  | *                             | None  | S     | Indicates the polynomial version.   |
| 55  | CHARACTERIZATION_TYPE          | Unsigned8          |             | Other                         | None  | S     | Indicates the type of characterization curve.                               |
| 56  | CURVE_BYPASS_LD                | Unsigned16         |             | Disable or allow enter points | None  | S     | Enable and disable the characterization curve.                              |
| 57  | CURVE_LENGTH                   | Unsigned8          | 2 to 5      | 5                             | None  | S     | Indicates the length of characterization curve.                             |
| 58  | CURVE_X                        | Array of Float     |             | *                             | None  | S     | Input points of characterization curve.                                     |
| 59  | CURVE_Y                        | Array of Float     |             | *                             | None  | S     | Output points of characterization curve.                                    |
| 60  | CAL_POINT_HI_BACKUP            | Float              |             | *                             | CU    | S     | Indicates the backup for high calibration point.                            |
| 61  | CAL_POINT_LO_BACKUP            | Float              |             | *                             | CU    | S     | Indicates the backup for low calibration point.                             |
| 62  | CAL_POINT_HI_FACTORY           | Float              |             | *                             | CU    | S     | Indicates the factory high calibration point.                               |
| 63  | CAL_POINT_LO_FACTORY           | Float              |             | *                             | CU    | S     | Indicates the factory low calibration point.                                |
| 64  | CAL_TEMPERATURE                | Float              | -40 a 85 °C | *                             | °C    | S     | Defines the temperature calibration point.                                  |
| 65  | DATASHEET                      | Array of Unsigned8 |             | *                             | None  | S     | Indicates information about the sensor.                                     |
| 66  | ORDERING_CODE                  | VisibleString      |             | Null                          | None  | S     | Indicates information about the sensor and control from factory production. |
| 67  | MAXIMUM_MEASURED_PRESSURE      | Float              | ± INF       | - Inf                         | None  | S     | Indicates the maximum pressure measured                                     |
| 68  | MAXIMUM_MEASURED_TEMPERATURE   | Float              | ± INF       | - Inf                         | None  | S     | Indicates the maximum temperature measured                                  |
| 69  | ACTUAL_OFFSET                  | Float              | ± INF       | *                             | None  | S     | Indicates the actual calibrated offset                                      |
| 70  | ACTUAL_SPAN                    | Float              | ± INF       | *                             | None  | S     | Indicates the actual span offset  |
| 71  | MAXIMUM_OFFSET_DEVIATION       | Float              | ± INF       | 0.5                           | None  | S     | Defines the maximum offset before an alarm is generate                      |
| 72  | MAXIMUM_GAIN_DEVIATION         | Float              | ± INF       | 2.0                           | None  | S     | Defines the maximum gain before an alarm is generate                        |
| 73  | OVERPRESSURE_LIMIT             | Float              | ± INF       | + Inf                         | None  | S     | Defines the maximum overpressure limit before an alarm is generate          |
| 74  | MAXIMUM_NUMBER_OF_OVERPRESSURE | Float              | ± INF       | 0                             | None  | S     | Defines the maximum number of overpressure before an alarm is               |

**Legend:** E – Enumerated parameter; Na – Adimensional parameter; RO – Read only; D – dynamic; N – non-volatile; S - static  
 CU: CAL\_UNIT; PVR – PRIMARY\_VALUE\_RANGE; Sec: Seconds; SR: SENSOR\_RANGE; SVU: SECONDARY\_VALUE\_RANGE

**Gray Background Line: Default Parameters of Syscon**

## DT302 - Concentration/Density Transmitter

### Description

The density transducer makes the corrected reading PRIMARY\_VALUE available to the AI block according to configured MEASURED\_TYPE. The engineering unit and the primary value range are selected from the XD\_SCALE in the AI block. The units allowed are: g/cm<sup>3</sup>, Kg/m<sup>3</sup>, lb/ft<sup>3</sup>, Kg/m<sup>3</sup>, Kg/m<sup>3</sup>, degBaum, degBrix, %Plato, INPM, GL, %Soli/wt and API. The XD\_SCALE range must be inside the sensor range in the unit selected. The supported mode is OOS and AUTO. As the transducer block runs together with AI block, the transducer block goes to AUTO only if the AI mode block is already in AUTO. The sensor temperature may be read from the SECONDARY\_VALUE parameter.

Warning messages may appear in Primary Value status or in the Block Error in certain condition as explain below.

### Supported Modes

OOS and AUTO.

### BLOCK\_ERR

The BLOCK\_ERR of the transducer block will reflect the following causes:

- Input Failure – When sensor is disconnected from main electronic board, or the process is out of the sensor range.
- Out of Service – When the block is in OOS mode.

### Primary\_Value Status

The PRIMARY\_VALUE status of the transducer block will reflect the following causes:

- Bad::SensorFailure:NotLimited – When sensor is disconnected from main electronic board, or the process is out of the sensor range.

### Parameters

| Idx | Parameter           | Data Type            | Valid Range | Initial/ Default Value | Units | Store | Description   |
|-----|---------------------|----------------------|-------------|------------------------|-------|-------|---|
| 1   | ST_REV              | Unsigned16           | Positive    | 0                      | None  | S     | Indicates the level of static data.   |
| 2   | TAG_DESC            | VisibleString        |             | Null                   | Na    | S     | Description of Transducer Block.  |
| 3   | STRATEGY            | Unsigned16           |             | 0                      | None  | S     | This parameter is not checked and processed by Transducer Block.  |
| 4   | ALERT_KEY           | Unsigned8            | 1-255       | 0                      | Na    | S     | Number of identification in the plant.  |
| 5   | MODE_BLK            | DS-69                | OS,AUTO     | O/S                    | None  | S     | Indicates the operation mode of Transducer Block.   |
| 6   | BLOCK_ERR           | Bit String           |             |                        | E     | D     | Indicates the status associated with hardware or software in the Transducer.  |
| 7   | UPDATE_EVT          | DS-73                |             |                        | Na    | D     | It is the alert for any static data.  |
| 8   | BLOCK_ALM           | DS-72                |             |                        | Na    | D     | It is used for configuration, hardware and others failures.   |
| 9   | TRANSDUCER_DIRECTOR | Array of Unsigned16  |             |                        | None  | N     | It is used to select several Transducer Blocks.   |
| 10  | TRANSDUCER_TYPE     | Unsigned16           |             | 100                    | None  | N     | Indicates the type of Transducer according to its class.  |
| 11  | XD_ERROR            | Unsigned8            |             | 0                      | None  | D     | It is used to indicate calibration status.  |
| 12  | COLLECTION_DIRECTOR | Array of Unsigned 32 |             |                        | None  | S     | Specifies the number of transducer index into Transducer Block.   |
| 13  | PRIMARY_VALUE_TYPE  | Unsigned16           |             | Pressure               | None  | S     | Defines the calculation type for Transducer Block.  |
| 14  | PRIMARY_VALUE       | DS-65                |             | 0                      | PVR   | D     | It is the value and status used by channel.   |
| 15  | PRIMARY_VALUE_RANGE | DS-68                | 0-100%      |                        | PVR   | S     | The High and Low range limit values, the engineering unit code and the number of digits to the right of the decimal point to be used for PRIMARY_VALUE. |

| Idx | Parameter                   | Data Type         | Valid Range          | Initial/ Default Value | Units      | Store    | Description  |
|-----|-----------------------------|-------------------|----------------------|------------------------|------------|----------|--|
| 16  | CAL_POINT_HI                | Float             |                      | 5080.0                 | CU         | S        | The highest calibrated value.  |
| 17  | CAL_POINT_LO                | Float             |                      | 0.0                    | CU         | S        | The lowest calibrated value.   |
| 18  | CAL_MIN_SPAN                | Float             | URL/40 to URL        | 0.0                    | CU         | S        | The minimum calibration span value allowed. This minimum span information is necessary to ensure that when calibration is done, the two calibrated points (high and low) are not too close together. |
| 19  | CAL_UNIT                    | Unsigned16        |                      | MmH2O                  | E          | S        | The Device Description engineering units code index for the calibration values.  |
| 20  | SENSOR_TYPE                 | Unsigned16        |                      | 117                    | Na         | S        | The type of sensor.  |
| 21  | SENSOR_RANGE                | DS-68             |                      | 0-100%                 | PVR        | S        | The range of sensor.   |
| 22  | SENSOR_SN                   | Unsigned32        | 0 to 2 <sup>32</sup> | 0                      | None       | S        | The serial number of sensor.   |
| 23  | SENSOR_CAL_METHOD           | Unsigned8         |                      | 103                    | None       | S        | The method of last sensor calibration. ISO defines several standard methods of calibration. This parameter is intended to record that method, or if some other method was used.                      |
| 24  | SENSOR_CAL_LOC              | VisibleString     |                      | NULL                   | None       | S        | The location of last sensor calibration. This describes the physical location at which the calibration was performed.  |
| 25  | SENSOR_CAL_DATE             | Time of Day       |                      |                        | None       | S        | The date of the last sensor calibration.   |
| 26  | SENSOR_CAL_WHO              | VisibleString     |                      | NULL                   | None       | S        | The name of person who is in charge of last calibration.   |
| 27  | SENSOR_ISOLATION_MTL        | Unsigned16        |                      | 2                      | None       | S        | Defines the construction material of the isolating diaphragms.   |
| 28  | SENSOR_FLUID                | Unsigned16        |                      | 1                      | None       | S        | Defines the type of fill fluid used in the sensor  |
| 29  | <b>SECONDARY_VALUE</b>      | <b>DS-65</b>      |                      | <b>0</b>               | <b>SVU</b> | <b>D</b> | <b>The secondary value (temperature value), related to</b>   |
| 30  | <b>SECONDARY_VALUE_UNIT</b> | <b>Unsigned16</b> |                      | <b>1001 (°C)</b>       | <b>E</b>   | <b>S</b> | <b>The engineering units to be used with SECONDARY_VALUE.</b>  |
| 31  | PRESS_LIN_NORMAL            | DS-65             | ± 1                  | 0                      | None       | D        | The Linear Normalized Pressure value.  |
| 32  | PRESS_NORMAL                | DS-65             | ± 1                  | 0                      | None       | D        | The Normalized Pressure value.   |
| 33  | PRESS_CUTOFF                | DS-65             | ± 1                  | 0                      | None       | D        | The Cutoff Pressure value.   |
| 34  | CUTOFF_FLAG                 | Unsigned8         | True/False           | True                   | None       | S        | The bypass flag for Pressure value.  |
| 35  | DIGITAL_TEMPERATURE         | DS-65             | 0-255                | 0                      | None       | D        | The digital temperature value.   |
| 35  | DIFF                        | Float             |                      | 0                      | None       | D        | The differential pressure value.   |
| 37  | YDIFF                       | Float             |                      | 0                      | None       | D        | The y differential pressure value.   |
| 38  | CAPACITANCE_LOW             | Float             |                      | 0                      | None       | D        | The low capacitance value.   |
| 39  | CAPACITANCE_HIGH            | Float             |                      | 0                      | None       | D        | The high capacitance value.  |
| 40  | BACKUP_RESTORE              | Unsigned8         |                      | 0                      | None       | S        | This parameter is used to do backup or to restore configuration data.  |
| 41  | SENSOR_RANGE_CODE           | Unsigned16        |                      | 1                      | None       | S        | Indicates the sensor range code.   |
| 42  | COEFF_POL0                  | Float             | ± INF                | -1                     | None       | S        | The polynomial coefficient 0.  |
| 43  | COEFF_POL1                  | Float             | ± INF                | 0                      | None       | S        | The polynomial coefficient 1.  |
| 44  | COEFF_POL2                  | Float             | ± INF                | 1                      | None       | S        | The polynomial coefficient 2.  |
| 45  | COEFF_POL3                  | Float             | ± INF                | 0                      | None       | S        | The polynomial coefficient 3.  |
| 46  | COEFF_POL4                  | Float             | ± INF                | 2                      | None       | S        | The polynomial coefficient 4.  |
| 47  | COEFF_POL5                  | Float             | ± INF                | 0                      | None       | S        | The polynomial coefficient 5.  |
| 48  | COEFF_POL6                  | Float             | ± INF                | 0                      | None       | S        | The polynomial coefficient 6.  |

| Idx | Parameter                      | Data Type          | Valid Range | Initial/ Default Value | Units | Store | Description   |
|-----|--------------------------------|--------------------|-------------|------------------------|-------|-------|---|
| 49  | COEFF_POL7                     | Float              | ± INF       | 0                      | None  | S     | The polynomial coefficient 7.   |
| 50  | COEFF_POL8                     | Float              | ± INF       | 0                      | None  | S     | The polynomial coefficient 8.   |
| 51  | COEFF_POL9                     | Float              | ± INF       | 0                      | None  | S     | The polynomial coefficient 9.   |
| 52  | COEFF_POL10                    | Float              | ± INF       | 0                      | None  | S     | The polynomial coefficient 10.  |
| 53  | COEFF_POL11                    | Float              | ± INF       | 25                     | None  | S     | The polynomial coefficient 11.  |
| 54  | POLYNOMIAL_VERSION             | Unsigned8          | 30h to FFh  | 32                     | None  | S     | Indicates the polynomial version.   |
| 55  | CHARACTERIZATION_TYPE          | Unsigned8          |             | 255                    | None  | S     | Indicates the type of characterization curve.                               |
| 56  | CURVE_BYPASS_LD                | Unsigned16         |             | Enable&Backup Cal      | None  | S     | Enable and disable the characterization curve.                              |
| 57  | CURVE_LENGTH                   | Unsigned8          | 2 to 5      | 5                      | None  | S     | Indicates the length of characterization curve.                             |
| 58  | CURVE_X                        | Array of Float     |             |                        | None  | S     | Input points of characterization curve.                                     |
| 59  | CURVE_Y                        | Array of Float     |             |                        | None  | S     | Output points of characterization curve.                                    |
| 60  | CAL_POINT_HI_BAKUP             | Float              |             | 5080                   | CU    | S     | Indicates the backup for high calibration point.                            |
| 61  | CAL_POINT_LO_BAKUP             | Float              |             | 0                      | CU    | S     | Indicates the backup for low calibration point.                             |
| 62  | CAL_POINT_HI_FACTOR            | Float              |             | 5080                   | CU    | S     | Indicates the factory high calibration point.                               |
| 63  | CAL_POINT_LO_FACTOR            | Float              |             | 0                      | CU    | S     | Indicates the factory low calibration point.                                |
| 64  | CAL_TEMPERATURE                | Float              | -40 a 85 °C | 17.496                 | °C    | S     | Defines the temperature calibration point.                                  |
| 65  | DATASHEET                      | Array of Unsigned8 |             |                        | None  | S     | Indicates information about the sensor.                                     |
| 66  | ORDERING_CODE                  | VisibleString      |             | NULL                   | None  | S     | Indicates information about the sensor and control from factory production. |
| 67  | MAXIMUM_MEASURED_PRESSURE      | Float              | ± INF       | - INF                  | None  | S     | Indicates the maximum pressure measured.                                    |
| 68  | MAXIMUM_MEASURED_TEMPERATURE   | Float              | ± INF       | - INF                  | None  | S     | Indicates the maximum temperature measured.                                 |
| 69  | ACTUAL_OFFSET                  | Float              | ± INF       |                        | None  | S     | Indicates the actual calibrated offset.                                     |
| 70  | ACTUAL_SPAN                    | Float              | ± INF       |                        | None  | S     | Indicates the actual span offset.   |
| 71  | MAXIMUM_OFFSET_DEVIATION       | Float              | ± INF       | 0.5                    | None  | S     | Defines the maximum offset before an alarm is generated.                    |
| 72  | MAXIMUM_GAIN_DEVIATION         | Float              | ± INF       | 2.0                    | None  | S     | Defines the maximum gain before an alarm is generated.                      |
| 73  | OVERPRESSURE_LIMIT             | Float              | ± INF       | + INF                  | None  | S     | Defines the maximum overpressure limit before an alarm is generated.        |
| 74  | MAXIMUM_NUMBER_OF_OVERPRESSURE | Float              | ± INF       | 0                      | None  | S     | Defines the maximum number of overpressure before an alarm is generated.    |
| 75  | GRAVITY                        | Float              |             | 9.785340               | None  | S     | Gravity acceleration.   |
| 76  | HEIGHT                         | Float              |             | 0.5002                 | None  | S     | Distance between the two pressure sensor.                                   |

| Idx | Parameter                  | Data Type  | Valid Range | Initial/ Default Value | Units | Store | Description  |
|-----|----------------------------|------------|-------------|------------------------|-------|-------|--|
| 77  | MEASURED_TYPE              | Unsigned 8 |             | Kg/m <sup>3</sup>      | None  | S     | When the transducer is set as density, there are the following choices:<br><br>1 - Density (g/cm <sup>3</sup> );<br>2 - Density (Kg/m <sup>3</sup> );<br>3 - Density related to 20°C (g/cm <sup>3</sup> );<br>4 - Density related to 4°C (g/cm <sup>3</sup> );<br>5 - Degree Baume;<br>6 - Degree Brix;<br>7 - Degree Plato;<br>8 - Degree INPM;<br>9 - GL;<br>10 - Solid Percent;<br>11 - Density (lb/ft <sup>3</sup> );<br>12 - API. |
| 78  | LIN_DILATATION_COEF        | Float      |             | 0.000016               | None  | S     | Linear dilatation coefficient.   |
| 79  | PRESSURE_COEFFICIE         | Float      |             | 0.5                    | None  | S     | Pressure coefficient.  |
| 80  | TEMP_ZERO                  | Float      |             |                        | None  | S     | Offset coefficient for temperature   |
| 81  | TEMP_GAIN                  | Float      |             |                        | None  | S     | Gain coefficient for the temperature sensor.   |
| 82  | ZERO_ADJUST_TEMP           | Float      |             | 20.0                   | None  | S     | Zero adjustment temperature.   |
| 83  | HEIGHT_MEAS_TEMP           | Float      |             | 20.0                   | None  | S     | Temperature when height was measured   |
| 84  | AUTO_CAL_POINT_LO          | Float      |             |                        | None  | S     | This parameter enables a method for lower calibration. The probe should be in the air and the MEASURED_TYPE and XD_SCALE.UNIT must be Kg/cm <sup>3</sup> .   |
| 85  | AUTO_CAL_POINT_HI          | Float      |             |                        | None  | S     | This parameter enables a method for upper calibration. The probe should be into water and the MEASURED_TYPE and XD_SCALE.UNIT must be Brix. The calibration point is 0 Brix.   |
| 86  | SOLID_POL_COEFF_0          | Float      |             | -0.4987                | None  | S     | Polynomial Coefficient 0 for Solid Percent.  |
| 87  | SOLID_POL_COEFF_1          | Float      |             | 1.6229                 | None  | S     | Polynomial Coefficient 1 for Solid Percent.  |
| 88  | SOLID_POL_COEFF_2          | Float      |             | -0.0192                | None  | S     | Polynomial Coefficient 2 for Solid Percent.  |
| 89  | SOLID_POL_COEFF_3          | Float      |             | 0.0005                 | None  | S     | Polynomial Coefficient 3 for Solid Percent.  |
| 90  | SOLID_POL_COEFF_4          | Float      |             | 0                      | None  | S     | Polynomial Coefficient 4 for Solid Percent.  |
| 91  | SOLID_POL_COEFF_5          | Float      |             | 0                      | None  | S     | Polynomial Coefficient 5 for Solid Percent.  |
| 92  | SOLID_LIMIT_LO             | Float      |             | 0                      | None  | S     | Limit lower for Solid Percent.   |
| 93  | SOLID_LIMIT_HI             | Float      |             | 100                    | None  | S     | Limit upper for Solid Percent.   |
| 94  | PRESS_COMP                 | Float      |             |                        | None  | S     | Factory use  |
| 95  | SIMULATE_PRESS_ENA         | Unsigned 8 |             |                        | None  | D     | Enable the simulation mode.  |
| 96  | SIMULATE_PRESS_VAL<br>UE   | Float      |             |                        | None  | D     | Simulate a pressure value in mmH <sub>2</sub> O a 68°F. Used with SIMULATE_PRESS_ENABLE.   |
| 97  | SIMULATE_DENSITY_VA<br>LUE | Float      |             |                        | None  | D     | Simulate density value used to calculate the pressure value.   |
| 98  | CALCULATED_PRESS_V<br>ALUE | Float      |             |                        | None  | D     | Calculated pressure according to SIMULATE_DENSITY_VALUE.   |

| Idx | Parameter                   | Data Type  | Valid Range | Initial/ Default Value | Units | Store | Description  |
|-----|-----------------------------|------------|-------------|------------------------|-------|-------|--|
| 99  | CALC_PRESS_CAL_POI<br>NT_LO | Float      |             |                        | None  | D     | Pressure value from<br>AUTO_CAL_POINT_LO method  |
| 100 | CALC_PRESS_CAL_POI<br>NT_HI | Float      |             |                        | None  | D     | Pressure value from<br>AUTO_CAL_POINT_HI method.   |
| 101 | DT_RANGE_CODE               | Unsigned 8 |             |                        | None  | S     | Range code.<br>Range 1 ( 0.5 @ 1.25 g/cm <sup>3</sup> )<br>Range 2 (1.0 @ 2.5 g/cm <sup>3</sup> )<br>Range 3 ( 2.0 @ 5.0 g/cm <sup>3</sup> ) |

**Legend: E – Enumerated parameter; Na – Adimensional parameter; RO – Read only; D – dynamic; N – non-volatile; S - static  
CU: CAL\_UNIT; PVR – PRIMARY\_VALUE\_RANGE; Sec: Seconds; SR: SENSOR\_RANGE; SVU: SECONDARY\_VALUE\_RANGE**

**Gray Background Line: Default Parameters of Syscon**



## TT302 - Temperature Transducer

### Description

The temperature transducer makes the direct corrected input or linearized temperature sensor reading PRIMARY\_VALUE available to the AI block. The sensor type, the connection and the calculation type are configured at SENSOR\_TYPE, SENSOR\_CONNECTION and PRIMARY\_VALUE\_TYPE respectively. Note that when two sensors are being used (i.e. backup, differential or double) the only sensor connection available is two wires. The engineering unit and the primary value range are selected from the XD\_SCALE in the AI block. The units allowed are: Ohm for resistance sensor, mV for millivoltage sensor and °C, °F, °R, K for temperature sensor. The XD\_SCALE range must be inside the sensor range in the unit selected. The selection of transducer number is done in SENSOR\_TRANSDUCER\_NUMBER. The second transducer will exist only when the sensor connection is double two wires. In this case two sensors will generate inputs for two transducers. When the sensor works as a backup the second sensor will generate the input if the first one fails. When the sensor works as a differential, the output is the difference of the two inputs. The AI block connected to this transducer has the CHANNEL the same selection as SENSOR\_TRANSDUCER\_NUMBER. The supported mode is OOS and AUTO. As the transducer block runs together with AI block, the transducer block goes to AUTO only if the AI mode block is already in AUTO. The cold-junction temperature may be read from the SECONDARY\_VALUE parameter.

Warning messages may appear in Primary Value status or in the Block Error in certain condition as explain below.

### Supported Modes

OOS and AUTO.

### BLOCK\_ERR

The BLOCK\_ERR of the transducer block will reflect the following causes:

- Input Failure – When the sensor is broken or the sensor reading is out of limits
- Out of Service – When the block is in OOS mode.

### Primary\_Value Status

The PRIMARY\_VALUE status of the transducer block will reflect the following causes:

- Bad::SensorFailure:NotLimited – When the sensor is broken or the sensor reading is out of limits.

### Parameters

| Idx | Parameter            | Data Type           | Valid Range | Initial/ Default Value | Units | Store | Description  |
|-----|----------------------|---------------------|-------------|------------------------|-------|-------|--|
| 1   | ST_REV               | Unsigned16          | Positive    | 0                      | None  | S     | Indicates the level of static data.  |
| 2   | TAG_DESC             | Octet String        |             | Nulls                  | Na    | S     | Description of Transducer Block.   |
| 3   | STRATEGY             | Unsigned16          |             | 0                      | None  | S     | This parameter is not checked and processed by Transducer Block.             |
| 4   | ALERT_KEY            | Unsigned8           | 1-255       | 0                      | None  | S     | Number of identification in the  |
| 5   | MODE_BLK             | DS-69               | See Mode    | OOS                    | Na    | Mix   | Indicates the operation mode of Transducer Block.                            |
| 6   | BLOCK_ERR            | Bit String          |             | Out of Service         |       | D     | Indicates the status associated with hardware or software in the Transducer. |
| 7   | UPDATE_EVT           | DS-73               |             | *                      | Na    | D     | It is the alert for any static data.   |
| 8   | BLOCK_ALM            | DS-72               |             | *                      | Na    | D     | It is used for configuration, hardware and others failures.                  |
| 9   | TRANSDUCER_DIRECTOR  | Array of Unsigned16 |             | 0                      | None  | N     | It is used to select several Transducer Blocks.                              |
| 10  | TRANSDUCER_TYPE      | Unsigned16          | See Table   | Temperature            | E     | N     | Indicates the type of Transducer according to its class.                     |
| 11  | XD_ERROR             | Unsigned8           | See Table   | Default value set      | None  | D     | It is used to indicate calibration status.                                   |
| 12  | COLLECTION_DIRECTORY | Array of Unsigned16 |             | 0                      | None  | N     | Specifies the number of transducer index into Transducer Block.              |

| Idx | Parameter              | Data Type      | Valid Range                 | Initial/ Default Value | Units | Store | Description  |
|-----|------------------------|----------------|-----------------------------|------------------------|-------|-------|--|
| 13  | PRIMARY_VALUE_TYPE     | Unsigned16     | See Table                   | Process temp.          | E     | S     | Defines the calculation type for Transducer Block.   |
| 14  | PRIMARY_VALUE          | DS-65          |                             | *                      | PVR   | D     | It is the value and status used by channel 1, 2 and 3.   |
| 15  | PRIMARY_VALUE_RANGE    | DS-68          |                             | -200/850/Celsius       | PVR   | NS    | The High and Low range limit values, the engineering unit code and the number of digits to the right of the decimal point to be used for Primary Value.  |
| 16  | CAL_POINT_HI           | Float          | +INF                        | 850.0                  | CU    | S     | The highest calibrated value.  |
| 17  | CAL_POINT_LO           | Float          | -INF                        | -250.0                 | CU    | S     | The lowest calibrated value.   |
| 18  | CAL_MIN_SPAN           | Float          |                             | 10.0                   | CU    | N     | The minimum calibration span value allowed. This minimum span information is necessary to ensure that when calibration is done, the two calibrated points (high and low) are not too close together. |
| 19  | CAL_UNIT               | Unsigned16     | See Table                   | Celsius                | E     | S     | The Device Description engineering units code index for the calibration values.  |
| 20  | SENSOR_TYPE            | Unsigned16     | See Table                   | Pt100 IEC              | E     | S     | The type of sensor.  |
| 21  | SENSOR_RANGE           | DS-68          |                             | -200/850/Celsius       | SR    | N     | The range of sensor.   |
| 22  | SENSOR_SN              | Unsigned Long  |                             | 0                      | None  | N     | The sensor serial number.  |
| 23  | SENSOR_CAL_METHOD      | Unsigned8      | Factory/User                | Factory trim           | E     | S     | The method of last sensor calibration. ISO defines several standard methods of calibration. This parameter is intended to record that method, or if some other method was used.                      |
| 24  | SENSOR_CAL_LOC         | Visible String |                             | NULL                   | None  | S     | The location of last sensor calibration. This describes the physical location at which the calibration was performed.  |
| 25  | SENSOR_CAL_DATE        | Time of Day    |                             | Unspecified            | None  | S     | The date of the last sensor calibration.   |
| 26  | SENSOR_CAL_WHO         | Visible String |                             | NULL                   | None  | S     | The name of person who is in charge of last calibration.   |
| 27  | SENSOR_CONNECTION      | Unsigned8      | Double, two, three and four | Three wires            | E     | S     | Indicates the number of wires of the sensor connected in the terminal block. It is not possible to change the connection of Transducer 2.  |
| 28  | SECONDARY_VALUE        | DS-65          | ± INF                       | *                      | SVU   | D     | The secondary value related to the temperature sensor.   |
| 29  | SECONDARY_VALUE_UNIT   | Unsigned16     | See Table                   | Celsius                | E     | S     | The engineering units to be used with the secondary value related to the sensor.   |
| 30  | MODULE_SN              | Unsigned Long  |                             | 0                      | None  | N     | The module serial number.  |
| 31  | SECONDARY_VALUE_ACTION | Unsigned8      | Enable/Disable              | Enable                 |       | S     | Enable the cold junction compensation.   |
| 32  | BACKUP_RESTORE         | Unsigned8      |                             | None                   | Na    | S     | This parameter is used to backup or to restore configuration data.   |
| 33  | CAL_POINT_HI_LAST      | Float          | +INF                        | 850.0                  | CU    | S     | Indicates the last high calibration point.   |
| 34  | CAL_POINT_LO_LAST      | Float          | -INF                        | -200.0                 | CU    | S     | Indicates the last low calibration point.  |
| 35  | CAL_POINT_HI_FACTORY   | Float          | +INF                        | 850.0                  | CU    | S     | Indicates the high factory calibration point.  |
| 35  | CAL_POINT_LO_FACTORY   | Float          | -INF                        | -200.0                 | CU    | S     | Indicates the low factory calibration point.   |
| 37  | ORDERING_CODE          | Visible String |                             | *                      | Na    | S     | Indicates information about factory production.  |

| Idx | Parameter                | Data Type      | Valid Range    | Initial/ Default Value | Units | Store | Description   |
|-----|--------------------------|----------------|----------------|------------------------|-------|-------|---|
| 38  | TWO_WIRES_COMPENSATION   | Unsigned8      | Enable/Disable | Disable                | Na    | D     | Allows the compensation of line resistance for double RTD or Ohm sensors. |
| 39  | SENSOR_TRANSDUCER_NUMBER | Unsigned8      | 1,2            | 1                      | Na    | S     | Selects the Transducer 1 or 2.  |
| 40  | FACTORY_DIGITAL_INPUTS   | Array of Float |                | *                      | None  | D     | Reads the digital inputs.   |
| 41  | FACTORY_GAIN_REFERENCE   | Unsigned8      |                | 0                      | None  | D     | Factory use.  |
| 42  | FACTORY_BORNE_REFERENCE  | Unsigned8      | 1              | 0                      | None  | D     | Factory use.  |

**Legend:** E – Enumerated parameter; Na – Adimensional parameter; RO – Read only; D – dynamic; N – non-volatile; S - static  
 CU: CAL\_UNIT; PVR – PRIMARY\_VALUE\_RANGE; Sec: Seconds; SR: SENSOR\_RANGE; SVU: SECONDARY\_VALUE\_RANGE

**Gray Background Line: Default Parameters of Syscon**

| Sensor Type | Class | Sensor range – 2-wire (Celsius) | Sensor range – Differential (Celsius) |
|-------------|-------|---------------------------------|---------------------------------------|
| Cu 10 GE    | RTD   | -20 to 250                      | -270 to 270                           |
| Ni 120 DIN  |       | -50 to 270                      | -320 to 320                           |
| Pt 50 IEC   |       | -200 to 850                     | -1050 to 1050                         |
| Pt 100 IEC  |       | -200 to 850                     | -1050 to 1050                         |
| Pt 500 IEC  |       | -200 to 450                     | -650 to 650                           |
| Pt 50 JIS   |       | -200 to 600                     | -800 to 800                           |
| Pt 100 JIS  |       | -200 to 600                     | -800 to 800                           |
| 0 to 100    | Ohm   | 0 to 100                        | -100 to 100                           |
| 0 to 400    |       | 0 to 400                        | -400 to 400                           |
| 0 to 2000   |       | 0 to 2000                       | -2000 to 2000                         |
| B NBS       | TC    | 100 to 1800                     | -1700 to 1700                         |
| E NBS       |       | -100 to 1000                    | -1100 to 1100                         |
| J NBS       |       | -150 to 750                     | -900 to 900                           |
| K NBS       |       | -200 to 1350                    | -1550 to 1550                         |
| N NBS       |       | -100 to 1300                    | -1400 to 1400                         |
| R NBS       |       | 0 to 1750                       | -1750 to 1750                         |
| S NBS       |       | 0 to 1750                       | -1750 to 1750                         |
| T NBS       |       | -200 to 400                     | -600 to 600                           |
| L DIN       |       | -200 to 900                     | -1100 to 1100                         |
| U DIN       |       | -200 to 600                     | -800 to 800                           |
| -6 to 22    | MV    | -6 to 22                        | -28 to 28                             |
| -10 to 100  |       | -10 to 100                      | -110 to 110                           |
| -50 to 500  |       | -50 to 500                      | -550 to 550                           |

## IF302 - Current Fieldbus Transducer

### Description

The current fieldbus transducer makes the current input reading PRIMARY\_VALUE available to the AI block. The engineering unit and the primary value range are selected from the XD\_SCALE in the AI block. The only unit allowed in this case is mA. The XD\_SCALE must be inside the current range (0-21 mA). When the XD\_SCALE range is set to 4 and 20, this makes the transducer follow the NAMUR standard. For different values no status is issued. The selection of the input terminal for this transducer is done in TERMINAL\_NUMBER. The AI block connected to this transducer has the CHANNEL the same selection as TERMINAL\_NUMBER.

The supported mode is OOS and AUTO. As the transducer block runs together with AI block, the transducer block goes to AUTO only if the AI mode block is already in AUTO.

Warning messages may appear in Primary Value status or in the Block Error in certain condition as explain below.

### Supported Modes

OOS and AUTO.

### BLOCK\_ERR

The BLOCK\_ERR of the transducer block will reflect the following causes:

- Input Failure – When input current higher than 20.7 and XD\_SCALE EU100 = 20.0 or input current lower than 3.7 and XD\_SCALE EU0 = 4.0.
- Out of Service – When the block is in OOS mode.

### Primary Value Status

The PRIMARY\_VALUE status of the transducer block will reflect the following causes:

- Bad::SensorFailure:NotLimited – When input current higher than 20.7 and XD\_SCALE EU100 = 20.0 or input current lower than 3.7 and XD\_SCALE EU0 = 4.0;
- Uncertain::EngUnitRangeViolation:LowLimited – When input current between 3.7 and 3.98 and XD\_SCALE EU0 = 4.0;
- Uncertain::EngUnitRangeViolation:HighLimited – When input current between 20.02 and 20.7 and XD\_SCALE EU100 = 20.0.

### Parameters

| Idx | Parameter            | Data Type            | Valid Range | Initial/ Default Value | Units | Store | Description  |
|-----|----------------------|----------------------|-------------|------------------------|-------|-------|--|
| 1   | ST_REV               | Unsigned16           | Positive    | 0                      | None  | S     | Indicates the level of static data.  |
| 2   | TAG_DESC             | VisibleString        |             |                        | Na    | S     | Description of Transducer Block.   |
| 3   | STRATEGY             | Unsigned16           |             | 0                      | None  | S     | This parameter is not checked and processed by Transducer Block.             |
| 4   | ALERT_KEY            | Unsigned8            | 1-255       | 0                      | Na    | S     | Number of identification in the plant.                                       |
| 5   | MODE_BLK             | DS-69                | OS, AUTO    | O/S                    | None  | S     | Indicates the operation mode of Transducer Block.                            |
| 6   | BLOCK_ERR            | Bit String           |             |                        | E     | D     | Indicates the status associated with hardware or software in the Transducer. |
| 7   | UPDATE_EVT           | DS-73                |             |                        | Na    | D     | It is the alert for any static data.   |
| 8   | BLOCK_ALM            | DS-72                |             |                        | Na    | D     | It is used for configuration, hardware and others failures.                  |
| 9   | TRANSDUCER_DIRECTORY | Array of Unsigned16  |             | 65535                  | None  | N     | It is used to select several Transducer Blocks.                              |
| 10  | TRANSDUCER_TYPE      | Unsigned16           |             | 65535                  | None  | N     | Indicates the type of Transducer according to its class.                     |
| 11  | XD_ERROR             | Unsigned8            |             | 16                     | None  | D     | It is used to indicate calibration status.                                   |
| 12  | COLLECTION_DIRECTOR  | Array of Unsigned 32 |             |                        | None  | S     | Specifies the number of transducer index into Transducer Block.              |

| Idx | Parameter              | Data Type     | Valid Range         | Initial/ Default Value | Units | Store | Description  |
|-----|------------------------|---------------|---------------------|------------------------|-------|-------|--|
| 13  | PRIMARY_VALUE_TYPE     | Unsigned16    |                     |                        | None  | S     | Defines the calculation type for Transducer Block.   |
| 14  | PRIMARY_VALUE          | DS-65         | 0-22.0mA            | 0                      | PVR   | D     | It is the value and status used by channel 1, 2 and 3.   |
| 15  | PRIMARY_VALUE_RANGE    | DS-68         |                     | 4.0-20.0mA             | PVR   | S     | The High and Low range limit values, the engineering unit code and the number of digits to the right of the decimal point to be used for Primary Value.  |
| 16  | CAL_POINT_HI           | Float         | 15.0-22.0mA         | 20.0                   | CU    | S     | The highest calibrated value.  |
| 17  | CAL_POINT_LO           | Float         | 0.0-9.0mA           | 4.0                    | CU    | S     | The lowest calibrated value.   |
| 18  | CAL_MIN_SPAN           | Float         |                     | 6.0                    | CU    | S     | The minimum calibration span value allowed. This minimum span information is necessary to ensure that when calibration is done, the two calibrated points (high and low) are not too close together. |
| 19  | CAL_UNIT               | Unsigned16    | 1211                | mA                     | 1211  | S     | The Device Description engineering units code index for the calibration values.  |
| 20  | SENSOR_SN              | Unsigned32    | 0 - 2 <sup>32</sup> | 0                      | None  | S     | Sensor Serial Number.  |
| 21  | CAL_METHOD             | Unsigned8     |                     | Factory                | None  | S     | The method of last sensor calibration.   |
| 22  | CAL_LOC                | VisibleString |                     | NULL                   | None  | S     | The location of last sensor calibration. This describes the physical location at which the calibration was performed.  |
| 23  | CAL_DATE               | Time of Day   |                     | 0                      | None  | S     | The date of the last sensor calibration.   |
| 24  | SENSOR_CAL_WHO         | VisibleString |                     | NULL                   | None  | S     | The name of person who is in charge of last calibration.   |
| 25  | TERMINAL_NUMBER        | Unsigned8     | 1,2,3               | 0                      | None  | S     | Indicates the input terminal number (1, 2 and 3).  |
| 26  | BACKUP_RESTORE         | Unsigned8     |                     | 0                      | None  | S     | This parameter is used to backup or to restore configuration data.   |
| 27  | CAL_POINT_HI_BACKUP    | Float         |                     | 20.0                   | CU    | S     | Indicates the backup for high calibration point.   |
| 28  | CAL_POINT_LO_BACKUP    | Float         |                     | 4.0                    | CU    | S     | Indicates the backup for low calibration point.  |
| 29  | CAL_POINT_HI_FACTORY   | Float         |                     | 20.0                   | CU    | S     | Indicates the high factory calibration point.  |
| 30  | CAL_POINT_LO_FACTORY   | Float         |                     | 4.0                    | CU    | S     | Indicates the low factory calibration point.   |
| 31  | FACTORY_GAIN_REFERENCE | Float         |                     | 19.0                   | None  | S     | Factory calibration reference value.   |
| 32  | ORDERING_CODE          | VisibleString |                     | Null                   | None  | S     | Indicates information about factory production.  |

**Legend:** E – Enumerated parameter; Na – Adimensional parameter; RO – Read only; D – dynamic; N – non-volatile; S - static  
 CU: CAL\_UNIT; PVR – PRIMARY\_VALUE\_RANGE; Sec: Seconds; SR: SENSOR\_RANGE; SVU: SECONDARY\_VALUE\_RANGE

**Gray Background Line: Default Parameters of Syscon**

## TP302 – Position Fieldbus Transducer

### Description

The position fieldbus transducer makes the position input reading PRIMARY\_VALUE available to the AI block. The engineering unit and the primary value range are selected from the XD\_SCALE in the AI block. The only unit allowed in this case is %. The AI block connected to this transducer has the CHANNEL the same selection as TERMINAL\_NUMBER. The supported mode is OOS and AUTO. As the transducer block runs together with AI block, the transducer block goes to AUTO only if the AI mode block is already in AUTO. The sensor module temperature may be read from the SECONDARY\_VALUE parameter.

Warning messages may appear in Primary Value status or in the Block Error in certain conditions as explained below.

### Supported Modes

OOS and AUTO.

### BLOCK\_ERR

The BLOCK\_ERR of the transducer block will reflect the following causes:

- Input Failure – When mechanic module is disconnected from main electronic board.
- Out of Service – When the block is in OOS mode.

### Primary\_Value Status

The PRIMARY\_VALUE status of the transducer block will reflect the following causes:

Bad::SensorFailure:NotLimited – When mechanic module is disconnected from main electronic board.

### Parameters

| Idx | Parameter            | Data Type            | Valid Range | Initial/ Default Value | Units | Store | Description   |
|-----|----------------------|----------------------|-------------|------------------------|-------|-------|---|
| 1   | ST_REV               | Unsigned16           |             | 0                      | None  | S     | Indicates the level of static data.   |
| 2   | TAG_DESC             | VisibleString        |             | Null                   | Na    | S     | Description of Transducer Block.  |
| 3   | STRATEGY             | Unsigned16           |             | 0                      | None  | S     | This parameter is not checked and processed by Transducer Block.  |
| 4   | ALERT_KEY            | Unsigned8            | 1-255       | 0                      | None  | S     | Number of identification in the plant.  |
| 5   | MODE_BLK             | DS-69                | See Table   | O/S                    | Na    | Mix   | Indicates the operation mode of Transducer Block.   |
| 6   | BLOCK_ERR            | Bit String           |             |                        |       | D     | Indicates the status associated with hardware or software in the Transducer.  |
| 7   | UPDATE_EVT           | DS-73                |             |                        | Na    | D     | It is the alert for any static data.  |
| 8   | BLOCK_ALM            | DS-72                |             |                        | Na    | D     | It is used for configuration, hardware and others failures.   |
| 9   | TRANSDUCER_DIRECTORY | Array of Unsigned16  |             |                        | None  | N     | It is used to select several Transducer Blocks.   |
| 10  | TRANSDUCER_TYPE      | Unsigned16           | See Table   | 65535                  | E     | N     | Indicates the type of Transducer according to its class.  |
| 11  | XD_ERROR             | Unsigned8            | See Table   | 0                      | None  | D     | It is used to indicate calibration status.  |
| 12  | COLLECTION_DIRECTORY | Array of Unsigned 32 |             |                        | None  | S     | Specifies the number of transducer index into Transducer Block.   |
| 13  | PRIMARY_VALUE_TYPE   | Unsigned16           | See Table   | 65535                  | None  | S     | Defines the calculation type for Transducer Block.  |
| 14  | PRIMARY_VALUE        | DS-65                | ± INF       | 0                      | PVR   | D     | It is the value and status used by channel 1, 2 and 3.  |
| 15  | PRIMARY_VALUE_RANGE  | DS-68                | 0-100%      | 100                    | PVR   | S     | The High and Low range limit values, the engineering unit code and the number of digits to the right of the decimal point to be used for Primary Value. |
| 16  | CAL_POINT_HI         | Float                | +INF        | 100                    | CU    | S     | The highest calibrated value.   |

| Idx | Parameter              | Data Type     | Valid Range          | Initial/ Default Value | Units | Store | Description  |
|-----|------------------------|---------------|----------------------|------------------------|-------|-------|--|
| 17  | CAL_POINT_LO           | Float         | -INF                 | 0                      | CU    | S     | The lowest calibrated value.   |
| 18  | CAL_MIN_SPAN           | Float         |                      | 5.0 %                  | CU    | S     | The minimum calibration span value allowed. This minimum span information is necessary to ensure that when calibration is done, the two calibrated points (high and low) are not too close together. |
| 19  | CAL_UNIT               | Unsigned16    | See Table            | %                      | E     | S     | The Device Description engineering units code index for the calibration values.  |
| 20  | SENSOR_SN              | Unsigned32    | 0 to 2 <sup>32</sup> | 0                      |       | S     | The sensor serial number.  |
| 21  | SENSOR_CAL_METHOD      | Unsigned8     | See Table            | Factory                | None  | S     | The method of last sensor calibration. ISO defines several standard methods of calibration. This parameter is intended to record that method, or if some other method was used.                      |
| 22  | SENSOR_CAL_LOC         | VisibleString |                      | NULL                   | None  | S     | The location of last sensor calibration. This describes the physical location at which the calibration was performed.  |
| 23  | SENSOR_CAL_DATE        | Time of Day   |                      | 0                      | None  | S     | The date of the last sensor calibration.   |
| 24  | SENSOR_CAL_WHO         | VisibleString |                      | NULL                   | None  | S     | The name of person who is in charge of last calibration.   |
| 25  | SECONDARY_VALUE        | DS-65         | ± INF                | 0                      | SUV   | D     | The secondary value related to the temperature sensor.   |
| 26  | SECONDARY_VALUE_UNIT   | Unsigned16    | See Table            | 1001 (°C)              | E     | S     | The engineering units to be used with the secondary value related to the sensor.   |
| 27  | DIGITAL_HALL           | Float         | 0-65536              | 0                      | Na    | D     | Digital Hall Value.  |
| 28  | DIAGNOSTIC_STATUS      | Unsigned16    |                      | Good                   |       | S     | Show the device status (failures and warnings)   |
| 29  | READ_HALL_CAL_POINT_HI | Float         |                      | 43786.0                |       | S     | Digital Hall value for the highest calibration point.  |
| 30  | READ_HALL_CAL_POINT_LO | Float         |                      | 24111.0                |       | S     | Digital Hall value for the lowest calibration point.   |
| 31  | SENSOR_TEMPERATURE     | DS-65         |                      | 0                      | °C    | D     | The sensor temperature value   |
| 32  | DIGITAL_TEMPERATURE    | DS-65         | ± INF                | 0                      | None  | D     | The digital temperature value.   |
| 33  | CAL_TEMPERATURE        | Float         | -40 a 85 °C          | 25                     | °C    | S     | The temperature value used to calibrate the temperature.   |
| 34  | ACTION_TYPE            | Unsigned8     | Direct/Reverse       | Direct                 | None  | S     | Defines if the action is direct or indirect.   |
| 35  | BACKUP_RESTORE         | Unsigned8     | See Table            | 0                      | Na    | S     | This parameter is used to backup or to restore configuration data.   |
| 35  | CAL_POINT_HI_BACKUP    | Float         | +INF                 | 100                    | CU    | S     | Indicates the backup for high calibration point.   |
| 37  | CAL_POINT_LO_BACKUP    | Float         | -INF                 | 0                      | CU    | S     | Indicates the backup for low calibration point.  |
| 38  | CAL_POINT_HI_FACTORY   | Float         | +INF                 | 100                    | CU    | S     | Indicates the high factory calibration point.  |
| 39  | CAL_POINT_LO_FACTORY   | Float         | -INF                 | 0                      | CU    | S     | Indicates the low factory calibration point.   |
| 40  | ORDERING_CODE          | VisibleString |                      | Null                   | Na    | S     | Indicates information about factory production.  |

Legend: E – Enumerated parameter; Na – Adimensional parameter; RO – Read only; D – dynamic; N – non-volatile; S - static  
 CU: CAL\_UNIT; PVR – PRIMARY\_VALUE\_RANGE; Sec: Seconds; SR: SENSOR\_RANGE; SVU: SECONDARY\_VALUE\_RANGE

Gray Background Line: Default Parameters of Syscon

## TEMP – DF-45 Temperature Transducer

### Overview

This is the transducer block for the module DF-45, an eight low signal input module for RTD, TC, mV, Ohm.

### Description

This transducer block has parameters to configure the eight inputs of low signal, as well an individual status and value in engineering units for each input. Therefore it is enough to configure only the TEMP block if the purpose is to monitor variables.

If the application is a control loop or calculation, it is also necessary to configure an AI or MAI block to address these variables. One important difference for the TEMP block, when using an AI block to access an input : write to VALUE\_RANGE\_x parameter is disabled. The user must configure the scale in the XD\_SCALE parameter of the AI block, that will be copied to the corresponding VALUE\_RANGE\_x parameter.

### BLOCK\_ERR

The BLOCK\_ERR will reflect the following causes:

- Block Configuration Error - When it is not compatible the CHANNEL parameter and HC configuration (DFI302);
- Input Failure – At least one input is in failure (DFI302);
- Out of Service – When the block is in O/S mode.

### Supported Modes

O/S and AUTO.

### Parameters

| Idx | Parameter     | Data Type (length) | Valid Range/Options | Default Value | Units | Store / Mode | Description   |
|-----|---------------|--------------------|---------------------|---------------|-------|--------------|---|
| 1   | ST_REV        | Unsigned16         |                     | 0             | None  | S/RO         |   |
| 2   | TAG_DESC      | OctString(32)      |                     | Spaces        | Na    | S            |   |
| 3   | STRATEGY      | Unsigned16         |                     | 0             | None  | S            |   |
| 4   | ALERT_KEY     | Unsigned8          | 1 to 255            | 0             | None  | S            |   |
| 5   | MODE_BLK      | DS-69              |                     | O/S           | Na    | S            | See Mode Parameter  |
| 6   | BLOCK_ERR     | Bitstring(2)       |                     |               | E     | D / RO       |   |
| 7   | CHANNEL       | Unsigned16         |                     |               | None  | S / O/S      | The rack and slot number of the associated DF-45 module coded as RRSXX.   |
| 8   | TEMP_0        | DS-65              |                     |               |       | D            | Temperature of point 0.   |
| 9   | TEMP_1        | DS-65              |                     |               |       | D            | Temperature of point 1.   |
| 10  | TEMP_2        | DS-65              |                     |               |       | D            | Temperature of point 2.   |
| 11  | TEMP_3        | DS-65              |                     |               |       | D            | Temperature of point 3.   |
| 12  | TEMP_4        | DS-65              |                     |               |       | D            | Temperature of point 4.   |
| 13  | TEMP_5        | DS-65              |                     |               |       | D            | Temperature of point 5.   |
| 14  | TEMP_6        | DS-65              |                     |               |       | D            | Temperature of point 6.   |
| 15  | TEMP_7        | DS-65              |                     |               |       | D            | Temperature of point 7.   |
| 16  | VALUE_RANGE_0 | DS-68              |                     | 0-100%        | VR0   | S / O/S      | If it is connected to AI block, it is a copy of XD_SCALE. Otherwise the user may write in this scaling parameter. |



| Idx | Parameter            | Data Type (length) | Valid Range/ Options                         | Default Value     | Units    | Store / Mode   | Description   |
|-----|----------------------|--------------------|--|-------------------|----------|----------------|---|
| 17  | SENSOR_CONNECTION_0  | Unsigned8          | 1 : differential<br>2 : 2-wire<br>3 : 3-wire | 3                 | E        | S / O/S        | Connection of the sensor 0.   |
| 18  | <b>SENSOR_TYPE_0</b> | <b>Unsigned8</b>   | <b>See table below</b>                       | <b>Pt 100 IEC</b> | <b>E</b> | <b>S / O/S</b> | <b>Type of sensor 0.</b>  |
| 19  | VALUE_RANGE_1        | DS-68              |  | 0-100%            | VR1      | S / O/S        | If it is connected to AI block, it is a copy of XD_SCALE. Otherwise the user may write in this scaling parameter. |
| 20  | SENSOR_CONNECTION_1  | Unsigned8          | 1 : differential<br>2 : 2-wire<br>3 : 3-wire | 3                 | E        | S / O/S        | Connection of the sensor 1.   |
| 21  | <b>SENSOR_TYPE_1</b> | <b>Unsigned8</b>   | <b>See table below</b>                       | <b>Pt 100 IEC</b> | <b>E</b> | <b>S / O/S</b> | <b>Type of sensor 1.</b>  |
| 22  | VALUE_RANGE_2        | DS-68              |  | 0-100%            | VR2      | S / O/S        | If it is connected to AI block, it is a copy of XD_SCALE. Otherwise the user may write in this scaling parameter. |
| 23  | SENSOR_CONNECTION_2  | Unsigned8          | 1 : differential<br>2 : 2-wire<br>3 : 3-wire | 3                 | E        | S / O/S        | Connection of the sensor 2.   |
| 24  | <b>SENSOR_TYPE_2</b> | <b>Unsigned8</b>   | <b>See table below</b>                       | <b>Pt 100 IEC</b> | <b>E</b> | <b>S / O/S</b> | <b>Type of sensor 2.</b>  |
| 25  | VALUE_RANGE_3        | DS-68              |  | 0-100%            | VR3      | S / O/S        | If it is connected to AI block, it is a copy of XD_SCALE. Otherwise the user may write in this scaling parameter. |
| 26  | SENSOR_CONNECTION_3  | Unsigned8          | 1 : differential<br>2 : 2-wire<br>3 : 3-wire | 3                 | E        | S / O/S        | Connection of the sensor 3.   |
| 27  | <b>SENSOR_TYPE_3</b> | <b>Unsigned8</b>   | <b>See table below</b>                       | <b>Pt 100 IEC</b> | <b>E</b> | <b>S / O/S</b> | <b>Type of sensor 3.</b>  |
| 28  | VALUE_RANGE_4        | DS-68              |  | 0-100%            | VR4      | S / O/S        | If it is connected to AI block, it is a copy of XD_SCALE. Otherwise the user may write in this scaling parameter. |
| 29  | SENSOR_CONNECTION_4  | Unsigned8          | 1 : differential<br>2 : 2-wire<br>3 : 3-wire | 3                 | E        | S / O/S        | Connection of the sensor 4.   |
| 30  | SENSOR_TYPE_4        | Unsigned8          | See table below                              | Pt 100 IEC        | E        | S / O/S        | Type of sensor 4.   |
| 31  | VALUE_RANGE_5        | DS-68              |  | 0-100%            | VR5      | S / O/S        | If it is connected to AI block, it is a copy of XD_SCALE. Otherwise the user may write in this scaling parameter. |
| 32  | SENSOR_CONNECTION_5  | Unsigned8          | 1 : differential<br>2 : 2-wire<br>3 : 3-wire | 3                 | E        | S / O/S        | Connection of the sensor 5.   |
| 33  | <b>SENSOR_TYPE_5</b> | <b>Unsigned8</b>   | <b>See table below</b>                       | <b>Pt 100 IEC</b> | <b>E</b> | <b>S / O/S</b> | <b>Type of sensor 5.</b>  |

| Idx | Parameter            | Data Type (length) | Valid Range/ Options                         | Default Value     | Units    | Store / Mode   | Description  |
|-----|----------------------|--------------------|--|-------------------|----------|----------------|--|
| 34  | VALUE_RANGE_6        | DS-68              |  | 0-100%            | VR6      | S / O/S        | If it is connected to AI block, it is a copy of XD_SCALE. Otherwise the user may write in this scaling parameter.  |
| 35  | SENSOR_CONNECTION_6  | Unsigned8          | 1 : differential<br>2 : 2-wire<br>3 : 3-wire | 3                 | E        | S / O/S        | Connection of the sensor 6.  |
| 36  | <b>SENSOR_TYPE_6</b> | <b>Unsigned8</b>   | <b>See table below</b>                       | <b>Pt 100 IEC</b> | <b>E</b> | <b>S / O/S</b> | <b>Type of sensor 6.</b>   |
| 37  | VALUE_RANGE_7        | DS-68              |  | 0-100%            | VR7      | S / O/S        | If it is connected to AI block, it is a copy of XD_SCALE. Otherwise the user may write in this scaling parameter.  |
| 38  | SENSOR_CONNECTION_7  | Unsigned8          | 1 : differential<br>2 : 2-wire<br>3 : 3-wire | 3                 | E        | S / O/S        | Connection of the sensor 7.  |
| 39  | SENSOR_TYPE_7        | Unsigned8          | See table below                              | Pt 100 IEC        | E        | S / O/S        | Type of sensor 7.  |
| 40  | UPDATE_EVT           | DS-73              |  |                   | Na       | D              | This alert is generated by any change to the static data.  |
| 41  | BLOCK_ALM            | DS-72              |  |                   | Na       | D              | The block alarm is used for all configuration, hardware, connection failure or system problems in the block. The cause of the alert is entered in the subcode field. The first alert to become active will set the Active status in the Status attribute. As soon as the Unreported status is cleared by the alert reporting task, another block alert may be reported without clearing the Active status, if the subcode has changed. |

**Legend: E – Enumerated parameter; Na – Adimensional parameter; RO – Read only; D – dynamic; N – non-volatile; S - static**

**Gray Background Line: Default Parameters of Syscon**

| Code | Sensor Type | Class | Sensor range – Differential (Celsius) | Sensor range – 2-wire (Celsius) | Sensor range – 3-wire (Celsius) |
|------|-------------|-------|---------------------------------------|---------------------------------|---------------------------------|
| 1    | Cu 10 GE    | RTD   | -270 to 270                           | -20 to 250                      | -20 to 250                      |
| 2    | Ni 120 DIN  |       | -320 to 320                           | -50 to 270                      | -50 to 270                      |
| 3    | Pt 50 IEC   |       | -1050 to 1050                         | -200 to 850                     | -200 to 850                     |
| 4    | Pt 100 IEC  |       | -1050 to 1050                         | -200 to 850                     | -200 to 850                     |
| 5    | Pt 500 IEC  |       | -270 to 270                           | -200 to 450                     | -200 to 450                     |
| 6    | Pt 50 JIS   |       | -850 to 850                           | -200 to 600                     | -200 to 600                     |
| 7    | Pt 100 JIS  |       | -800 to 800                           | -200 to 600                     | -200 to 600                     |
| 51   | 0 to 100    | Ohm   |                                       | 0 to 100                        | 0 to 100                        |
| 52   | 0 to 400    |       |                                       | 0 to 400                        | 0 to 400                        |
| 53   | 0 to 2000   |       |                                       | 0 to 2000                       | 0 to 2000                       |
| 151  | B NBS       | TC    | -1600 to 1600                         | 100 to 1800                     |                                 |
| 152  | E NBS       |       | -1100 to 1100                         | -100 to 1000                    |                                 |
| 153  | J NBS       |       | 900 to 900                            | -150 to 750                     |                                 |
| 154  | K NBS       |       | -1550 to 1550                         | -200 to 1350                    |                                 |
| 155  | N NBS       |       | -1400 to 1400                         | -100 to 1300                    |                                 |
| 156  | R NBS       |       | -1750 to 1750                         | 0 to 1750                       |                                 |
| 157  | S NBS       |       | -1750 to 1750                         | 0 to 1750                       |                                 |
| 158  | T NBS       |       | -600 to 600                           | -200 to 400                     |                                 |
| 159  | L DIN       |       | -1100 to 1100                         | -200 to 900                     |                                 |
| 160  | U DIN       |       | -800 to 800                           | -200 to 600                     |                                 |
| 201  | -6 to 22    | MV    |                                       | -6 to 22                        |                                 |
| 202  | -10 to 100  |       |                                       | -10 to 100                      |                                 |
| 203  | -50 to 500  |       |                                       | -50 to 500                      |                                 |

**If DIAG.BEHAVIOR parameter is “Adapted”:**

- When the configuration of sensor type means a different class, the connection is automatically changed to default (RTD and Ohm – 3-wire, TC and mV – 2-wire).

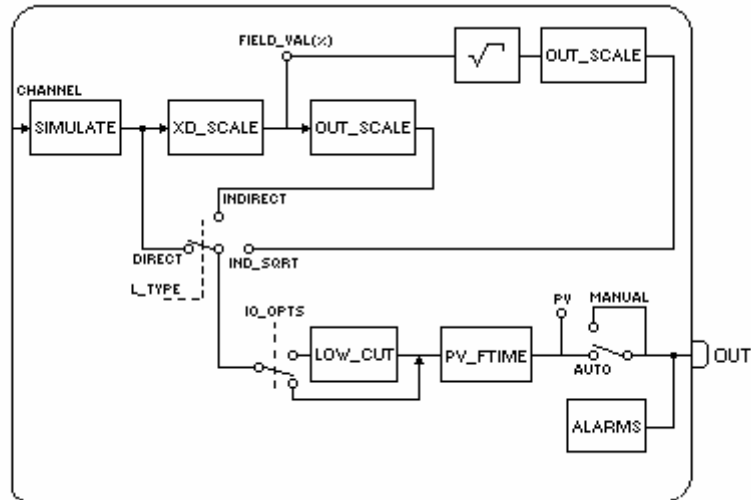
## Input Function Blocks

### AI - Analog Input

#### Overview

The Analog Input block takes the input data from the Transducer block, selected by channel number, and makes it available to other function blocks at its output.

#### Schematic



#### Description

The AI block is connected to the transducer block through the CHANNEL parameter that must match with the following parameter in the transducer block:

- SENSOR\_TRANSDUCER\_NUMBER parameter for the TT302
- TERMINAL\_NUMBER parameter for the IF302

The CHANNEL parameter must be set to 1 (one) if the AI block is running in the LD302, and no configuration is necessary in the transducer block to connect it to the AI block.

Transducer scaling (XD\_SCALE) is applied to the value from the channel to produce the FIELD\_VAL in percent. The XD\_SCALE engineering units code and range must be suitable to the sensor of transducer block connected to the AI block, otherwise a block alarm indicating configuration error will be generated.

The L\_TYPE parameter determines how the values passed by the transducer block will be used into the block. The options are:

Direct - the transducer value is passed directly to the PV. Therefore OUT\_SCALE is useless.

Indirect - the PV value is the FIELD\_VAL value converted to the OUT\_SCALE.

Indirect with Square Root - the PV value is square root of the FIELD\_VAL converted to the OUT\_SCALE.

PV and OUT always have identical scaling based on OUT\_SCALE.

The LOW\_CUT parameter is an optional characteristic that may be used to eliminate noise near zero for a flow sensor. The LOW\_CUT parameter has a corresponding "Low cutoff" option in the IO\_OPTS bit string. If the option bit is true, any calculated output below the low cutoff value (LOW\_CUT) will be changed to zero.

#### BLOCK\_ERR

The BLOCK\_ERR of the AI block will reflect the following causes:

- Block Configuration Error – the configuration error occurs when one or more of the following situations occur:
  - When the CHANNEL or L\_TYPE parameters have an invalid value;
  - When the XD\_SCALE does not have a suitable engineering unit or range for the sensor of transducer block.
  - When it is not compatible the CHANNEL parameter and HC configuration (DFI302).

- Simulate Active – When the Simulate is active.
- Input Failure – I/O module failure (DFI302)
- Out of Service – When the block is in O/S mode.

### Supported Modes

O/S, MAN and AUTO.

### Status Handling

The AI block does not support cascade path. Then, the output status has not a cascade sub-status.

When the OUT value exceeds the OUT\_SCALE range and no worse condition exists in the block then the OUT status will be “uncertain, EU Range Violation”.

The following options from STATUS\_OPTS apply, where Limited refers to the sensor limits: (see in the Function block options to more details about each option)

- Propagate Fault Forward
- Uncertain if Limited
- BAD if Limited
- Uncertain if Man mode

### Parameters

| Idx | Parameter   | Data Type (length) | Valid Range/Options   | Default Value  | Units | Store / Mode | Description   |
|-----|-------------|--------------------|---|--|-------|--------------|---|
| 1   | ST_REV      | Unsigned16         |   | 0  | None  | S/RO         |   |
| 2   | TAG_DESC    | OctString(32)      |   | Spaces   | Na    | S            |   |
| 3   | STRATEGY    | Unsigned16         |   | 0  | None  | S            |   |
| 4   | ALERT_KEY   | Unsigned8          | 1 to 255  | 0  | None  | S            |   |
| 5   | MODE_BLK    | DS-69              |   | O/S  | Na    | S            | See Mode Parameter.   |
| 6   | BLOCK_ERR   | Bitstring(2)       |   |  | E     | D / RO       |   |
| 7   | PV          | DS-65              |   |  | PV    | D / RO       | Process analog value for use in executing the function.   |
| 8   | OUT         | DS-65              | OUT_SCALE +/- 10%   |  | OUT   | D / Man      | The analog value calculated as a result of executing the function.  |
| 9   | SIMULATE    | DS-82              | 1: Disable ;<br>2: Active<br>are the Enable/Disable options.                          | Disable  |       | D            | Allows the input value to be manually supplied when simulate is enabled. In this case, the simulate value and status will be the PV value.  |
| 10  | XD_SCALE    | DS-68              | Depends on the device type. See the manual. See the corresponding manual for details. | Depends on the device type. See description for details. | XD    | S / Man      | The high and low scale values, to transducer for a specified channel.<br><br>The Default value for each Smar device is showed below:<br><br>LD292/302: 0 to 5080 [mmH <sub>2</sub> O]<br>IF302: 4 to 20 [mA]<br>TT302: -200 to 850 [°C]<br>TP302: 0 to 100 [%]<br>DT302: 1000 to 2500 [kg / m <sup>3</sup> ]<br>DFI302: 100,0,1342 0 to 100 [%] |
| 11  | OUT_SCALE   | DS-68              |   | 0-100%   | OUT   | S / Man      | The high and low scale values to the OUT parameter.   |
| 12  | GRANT_DENY  | DS-70              |   | 0  | na    | D            |   |
| 13  | IO_OPTS     | Bitstring(2)       | See Block Options   | 0  | na    | S / O/S      | See Block Options   |
| 14  | STATUS_OPTS | Bitstring(2)       | See Block Options   | 0  | Na    | S / O/S      | See Block Options   |

| Idx | Parameter  | Data Type (length) | Valid Range/ Options                                | Default Value | Units | Store / Mode | Description  |
|-----|------------|--------------------|---|---------------|-------|--------------|--|
| 15  | CHANNEL    | Unsigned16         |   | 0             | None  | S / O/S      | For more details about the configuration of this parameter, see Chapter 1 "CHANNEL Configuration".   |
| 16  | L_TYPE     | Unsigned8          | 1: Direct<br>2: Indirect<br>3: Indirect Square Root | 0             | E     | S / Man      | Determines how the values passed by the transducer block may be used:<br>Directly (Direct); with a percent (Indirect) ; or with a percent and with square root (Ind Sqr Root).   |
| 17  | LOW_CUT    | Float              | Non-Negative  | 0             | OUT   | S            | A value of zero percent of scale is used in block processing if the transducer value falls below this limit, in % of scale. This feature may be used to eliminate noise near zero for a flow sensor.   |
| 18  | PV_FTIME   | Float              | Non-Negative  | 0             | Sec   | S            | Time constant of a single exponential filter for the PV, in seconds.   |
| 19  | FIELD_VAL  | DS-65              |   |               | %     | D / RO       | Raw value of the field device in percent of the PV range, with a status reflecting the Transducer condition, before signal characterization (L_TYPE) or filtering (PV_FTIME).  |
| 20  | UPDATE_EVT | DS-73              |   |               | Na    | D            | This alert is generated by any change to the static data.  |
| 21  | BLOCK_ALM  | DS-72              |   |               | Na    | D            | The block alarm is used for all configuration, hardware, connection failure or system problems in the block. The cause of the alert is entered in the subcode field. The first alert to become active will set the Active status in the Status attribute. As soon as the Unreported status is cleared by the alert reporting task, another block alert may be reported without clearing the Active status, if the subcode has changed. |
| 22  | ALARM_SUM  | DS-74              | See Block Options                                   |               | Na    | S            | <b>The current alert status, unacknowledged states, unreported states, and disabled states of the alarms associated with the function block.</b>   |
| 23  | ACK_OPTION | Bitstring(2)       | 0: Auto ACK Disable<br>1: Auto ACK Enable           | 0             | Na    | S            | Selection of whether alarms associated with the block will be automatically acknowledged   |
| 24  | ALARM_HYS  | Float              | 0 to 50 %   | 0.5%          | %     | S            | Alarm hysteresis parameter. In order to clear the alarm the amount the PV must return within the alarm limit plus hysteresis.  |
| 25  | HI_HI_PRI  | Unsigned8          | 0 to 15   |               |       | S            | Priority of the high high alarm.   |
| 26  | HI_HI_LIM  | Float              | OUT_SCALE, +INF                                     | +INF          | OUT   | S            | The setting for high high alarm in engineering units.  |
| 27  | HI_PRI     | Unsigned8          | 0 to 15   |               |       | S            | Priority of the high alarm.  |
| 28  | HI_LIM     | Float              | OUT_SCALE, +INF                                     | +INF          | OUT   | S            | <b>The setting for high alarm in engineering units.</b>  |
| 29  | LO_PRI     | Unsigned8          | 0 to 15   |               |       | S            | Priority of the low alarm.   |
| 30  | LO_LIM     | Float              | OUT_SCALE, -INF                                     | -INF          | OUT   | S            | <b>The setting for low alarm in engineering units.</b>   |
| 31  | LO_LO_PRI  | Unsigned8          | 0 to 15   |               |       | S            | Priority of the low low alarm.   |
| 32  | LO_LO_LIM  | Float              | OUT_SCALE, -INF                                     | -INF          | OUT   | S            | The setting for low low alarm in engineering units.  |
| 33  | HI_HI_ALM  | DS-71              |   |               | OUT   | D            | The status for high high alarm and its associated time stamp.  |
| 34  | HI_ALM     | DS-71              |   |               | OUT   | D            | The status for high alarm and its associated time stamp.   |
| 35  | LO_ALM     | DS-71              |   |               | OUT   | D            | The status for low alarm and its associated time stamp.  |

| Idx | Parameter | Data Type<br>(length) | Valid Range/<br>Options | Default<br>Value | Units | Store /<br>Mode | Description   |
|-----|-----------|-----------------------|-------------------------|------------------|-------|-----------------|---|
| 36  | LO_LO_ALM | DS-71                 |                         |                  | OUT   | D               | The status for low low alarm and its associated time stamp. |

**Legend:** E – Enumerated parameter; Na – Adimensional parameter; RO – Read only; D – dynamic; N – non-volatile; S - static

**Gray Background Line: Default Parameters of Syscon**

**If DIAG.BEHAVIOR parameter is “Adapted”:**

The default value of CHANNEL is the lowest available number.

The default value of L\_TYPE is direct.

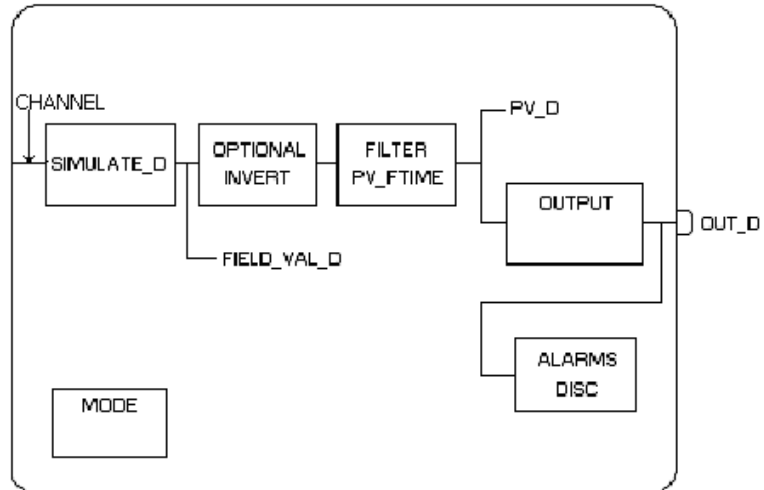
The required mode for writing is the actual mode, regardless the target mode: OUT

## DI - Discrete Input

### Overview

The DI block takes the manufacturer's discrete input data, selected by channel number, and makes it available to other function blocks at its output.

### Schematic



### Description

The FIELD\_VAL\_D shows the true on/off state of the hardware, using XD\_STATE. The Invert I/O option can be used to do a Boolean NOT function between the field value and the output. A discrete value of zero (0) will be considered to be a logical zero (0) and a non-zero discrete value will be considered to be a logical (1) e.g. if invert is selected, the logical NOT of a non-zero field value would result in a zero (0) discrete output, the logical NOT of a zero field value would result in a discrete output value of one(1). PV\_FTIME may be used to set the time that the hardware must be in one state before it gets passed to the PV\_D. The PV\_D is always the value that the block will place in OUT\_D if the mode is Auto. If Man is allowed, someone may write a value to OUT\_D. The PV\_D and the OUT\_D always have identical scaling. OUT\_STATE provides scaling for PV\_D.

### BLOCK\_ERR

The BLOCK\_ERR of the DI block will reflect the following causes:

- Block Configuration Error – the configuration error occurs when one or more of the following situations occur:
  - When the CHANNEL parameter has an invalid value;
  - When it is not compatible the CHANNEL parameter and HC configuration (DFI302).
- Simulate Active – When the Simulate is active;
- Input Failure – I/O module failure (DFI302);
- Out of Service – When the block is in O/S mode.

### Supported Modes

O/S, Man, and Auto.

### Status Handling

The DI block does not support cascade path. Then, the output status has not a cascade sub-status. The following options from STATUS\_OPTS apply: Propagate Fault Forward



## Parameters

| Idx | Parameter   | Data Type<br>(length) | Valid Range/<br>Options  | Default<br>Value | Units  | Store/<br>Mode | Description  |
|-----|-------------|-----------------------|--|------------------|--------|----------------|--|
| 1   | ST_REV      | Unsigned16            |  | 0                | None   | S/RO           |  |
| 2   | TAG_DESC    | OctString(32)         |  | Spaces           | Na     | S              |  |
| 3   | STRATEGY    | Unsigned16            |  | 0                | None   | S              |  |
| 4   | ALERT_KEY   | Unsigned8             | 1 to 255   | 0                | None   | S              |  |
| 5   | MODE_BLK    | DS-69                 |  | O/S              | Na     | S              | See Mode Parameter   |
| 6   | BLOCK_ERR   | Bitstring(2)          |  |                  | E      | D / RO         |  |
| 7   | PV_D        | DS-66                 |  |                  | PV     | D / RO         | The primary discrete value for use in executing the function, or a process value associated with it.   |
| 8   | OUT_D       | DS-66                 | OUT_STATE  |                  | OUT    | D / Man        | The primary discrete value calculated as a result of executing the function.   |
| 9   | SIMULATE_D  | DS-83                 | 1: Disable ;<br>2: Active<br>are the<br>Enable/Disable<br>options. | Disable          |        | D              | Allows the transducer discrete input or output to the block to be manually supplied when simulate is enabled. When simulation is disabled, the simulate value and status track the actual value and status.  |
| 10  | XD_STATE    | Unsigned16            |  | 0                | XD     | S              | Index to the text describing the states of a discrete for the value obtained from the transducer.  |
| 11  | OUT_STATE   | Unsigned16            |  | 0                | OUT    | S              | Index to the text describing the states of a discrete output.  |
| 12  | GRANT_DENY  | DS-70                 |  | 0                | Na     | D              |  |
| 13  | IO_OPTS     | Bitstring(2)          | See Block<br>Options   | 0                | Na     | S / O/S        | See Block Options  |
| 14  | STATUS_OPTS | Bitstring(2)          | See Block<br>Options   | 0                | Na     | S / O/S        | See Block Options  |
| 15  | CHANNEL     | Unsigned16            |  | 0                | None   | S / O/S        | For more details about the configuration of this parameter, see Chapter 1 "CHANNEL Configuration".   |
| 16  | PV_FTIME    | Float                 | Non-Negative   | 0                | Sec    | S              | Time constant of a single exponential filter for the PV, in seconds.   |
| 17  | FIELD_VAL_D | DS-66                 |  |                  | On/Off | D / RO         | Raw value of the field device discrete input, with a status reflecting the Transducer condition.   |
| 18  | UPDATE_EVT  | DS-73                 |  |                  | Na     | D              | This alert is generated by any change to the static data.  |
| 19  | BLOCK_ALM   | DS-72                 |  |                  | Na     | D              | The block alarm is used for all configuration, hardware, connection failure or system problems in the block. The cause of the alert is entered in the subcode field. The first alert to become active will set the Active status in the Status attribute. As soon as the Unreported status is cleared by the alert reporting task, another block alert may be reported without clearing the Active status, if the subcode has changed. |
| 20  | ALARM_SUM   | DS-74                 | See Block<br>Options   |                  | Na     | S              | The current alert status, unacknowledged states, unreported states, and disabled states of the alarms associated with the function block.  |

| Idx | Parameter  | Data Type<br>(length) | Valid Range/<br>Options                         | Default<br>Value | Units | Store/<br>Mode | Description  |
|-----|------------|-----------------------|---|------------------|-------|----------------|--|
| 21  | ACK_OPTION | Bitstring(2)          | 0: Auto ACK<br>Disable<br>1: Auto ACK<br>Enable | 0                | Na    | S              | Selection of whether alarms associated with the block will be automatically acknowledged |
| 22  | DISC_PRI   | Unsigned8             | 0 to 15   | 0                |       | S              | Priority of the discrete alarm.  |
| 23  | DISC_LIM   | Unsigned8             | PV_STATE  | 0                | PV    | S              | State of discrete input which will generate an alarm.                                    |
| 24  | DISC_ALM   | DS-72                 |   |                  | PV    | D              | The status and time stamp associated with the discrete alarm.                            |

**Legend: E – Enumerated parameter; Na – Adimensional parameter; RO – Read only; D – dynamic; N – non-volatile; S - static**

**Gray Background Line: Default Parameters of Syscon**

## MAI - Multiple Analog Input

### Description

The MAI block makes available for the FF network eight analog variables of the I/O subsystem through its eight output parameters OUT\_1 through OUT\_8.

Status indication in the output parameters OUT\_x depends on the I/O subsystem and the transducer block, that is manufacturer specific. For example, if there is individual detection of sensor failure, it will be indicated in the status of related OUT\_x parameter. Problem in the interface to the I/O subsystem will be indicated in the status of all OUT\_x as BAD – Device Failure.

### BLOCK\_ERR

The BLOCK\_ERR of the MAI block will reflect the following causes:

- Other – the number of MDI, MDO, MAI and MAO blocks or the device tag in FB700 is different from LC700;
- Block Configuration Error – the configuration error occurs when the OCURRENCE/CHANNEL has an invalid value (FB700) or it is not compatible the CHANNEL parameter and HC configuration (DFI302);
- Input failure – the CPU of LC700 stopped working (FB700) or I/O module failure (DFI302);
- Power up – there is no CPU of LC700 in the rack or the hardware configuration of LC700 has an error;
- Out of Service – When the block is in O/S mode.

### Status Handling

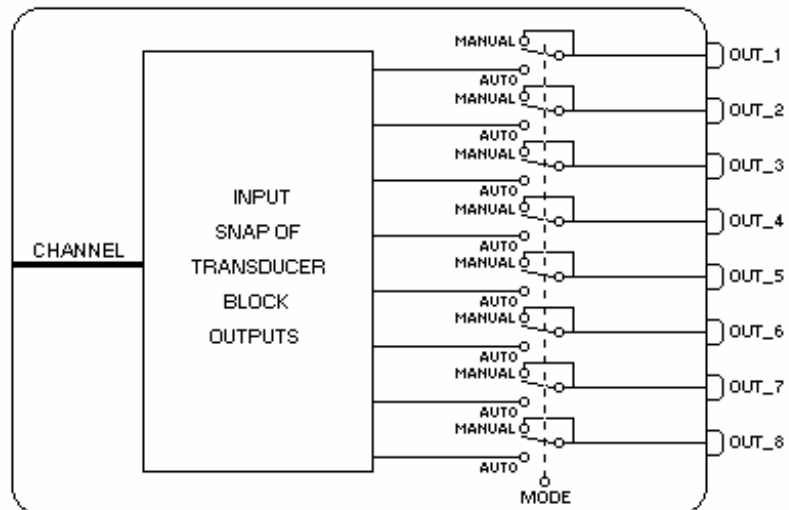
The status of OUT\_x will be the following if the BLOCK\_ERR indicates:

- Other – Bad : Configuration Error
- Input failure – Bad : Device Failure
- Power up – Bad : Device Failure

### Supported Modes

O/S, MAN and AUTO.

### Schematic



Parameters

| Idx | Parameter            | Data Type (length) | Valid Range/ Options | Default Value | Units | Store / Mode | Description  |
|-----|----------------------|--------------------|----------------------|---------------|-------|--------------|--|
| 1   | ST_REV               | Unsigned16         |                      | 0             | None  | S/RO         |  |
| 2   | TAG_DESC             | OctString(32)      |                      | Spaces        | Na    | S            |  |
| 3   | STRATEGY             | Unsigned16         |                      | 0             | None  | S            |  |
| 4   | ALERT_KEY            | Unsigned8          | 1 to 255             | 0             | None  | S            |  |
| 5   | MODE_BLK             | DS-69              |                      | O/S           | Na    | S            | See Mode Parameter   |
| 6   | BLOCK_ERR            | Bitstring(2)       |                      |               | E     | D / RO       |  |
| 7   | OCCURRENCE / CHANNEL | Unsigned16         |                      | 0             | None  | S / O/S      | For more details about the configuration of this parameter, see Chapter 1 "CHANNEL Configuration". It defines the transducer to be used going to or from the physical world. It addresses a group of eight points. |
| 8   | OUT_1                | DS-65              |                      |               |       | D / Man      | Numbered analog input 1.   |
| 9   | OUT_2                | DS-65              |                      |               |       | D / Man      | Numbered analog input 2.   |
| 10  | OUT_3                | DS-65              |                      |               |       | D / Man      | Numbered analog input 3.   |
| 11  | OUT_4                | DS-65              |                      |               |       | D / Man      | Numbered analog input 4.   |
| 12  | OUT_5                | DS-65              |                      |               |       | D / Man      | Numbered analog input 5.   |
| 13  | OUT_6                | DS-65              |                      |               |       | D / Man      | Numbered analog input 6.   |
| 14  | OUT_7                | DS-65              |                      |               |       | D / Man      | Numbered analog input 7.   |
| 15  | OUT_8                | DS-65              |                      |               |       | D / Man      | Numbered analog input 8.   |
| 16  | UPDATE_EVT           | DS-73              |                      |               | Na    | D            |  |
| 17  | BLOCK_ALM            | DS-72              |                      |               | Na    | D            |  |

Legend: E – Enumerated parameter; Na – Adimensional parameter; RO – Read only; D – dynamic; N – non-volatile; S - static

Gray Background Line: Default Parameters of Syscon

If DIAG.BEHAVIOR parameter is “Adapted”:

The default value of OCCURRENCE is the number of MAI blocks instantiated for the FB-700. The required mode for writing is the actual mode, regardless the target mode: OUT\_1, OUT\_2, ..., OUT\_8.

| Device type | Description                    |
|-------------|--------------------------------|
| FB700       | Block has OCCURRENCE parameter |
| DFI302      | Block has CHANNEL parameter    |

## MDI - Multiple Discrete Input

### Description

The MDI block makes available for the FF network eight discrete variables of the I/O subsystem through its eight output parameters OUT\_D1 through OUT\_D8. Status indication in the output parameters OUT\_Dx depends on the I/O subsystem and the transducer block, that is manufacturer specific. For example, if there is individual detection of sensor failure, it will be indicated in the status of related OUT\_Dx parameter. Problem in the interface to the I/O subsystem will be indicated in the status of all OUT\_Dx as BAD – Device Failure.

### BLOCK\_ERR

The BLOCK\_ERR of the MDI block will reflect the following causes:

- Other – the number of MDI, MDO, MAI and MAO blocks or the device tag in FB700 is different from LC700;
- Block Configuration Error – the configuration error occurs when the OCCURRENCE has an invalid value (FB700) or it is not compatible the CHANNEL parameter and HC configuration (DFI302);
- Input failure – the CPU of LC700 stopped working (FB700) or I/O module failure (DFI302);
- Power up – there is no CPU of LC700 in the rack or the hardware configuration of LC700 has an error;
- Out of Service – When the block is in O/S mode.

### Status Handling

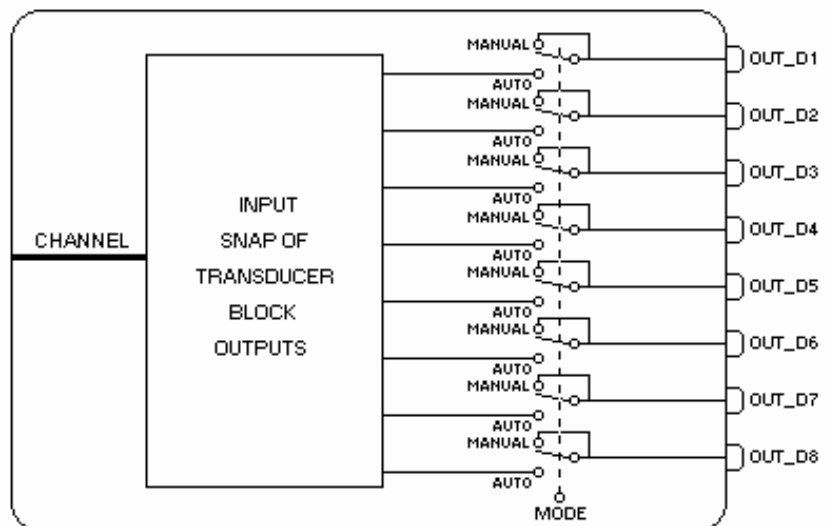
The status of OUT\_Dx will be the following if the BLOCK\_ERR indicates:

- Other – Bad : Configuration Error
- Input failure – Bad : Device Failure
- Power up – Bad : Device Failure

### Supported Modes

O/S, MAN and AUTO.

### Schematic



Parameters

| Idx | Parameter            | Data Type (length) | Valid Range/Options | Default Value | Units | Store / Mode | Description  |
|-----|----------------------|--------------------|---------------------|---------------|-------|--------------|--|
| 1   | ST_REV               | Unsigned16         |                     | 0             | None  | S/RO         |  |
| 2   | TAG_DESC             | OctString(32)      |                     | Spaces        | Na    | S            |  |
| 3   | STRATEGY             | Unsigned16         |                     | 0             | None  | S            |  |
| 4   | ALERT_KEY            | Unsigned8          | 1 to 255            | 0             | None  | S            |  |
| 5   | MODE_BLK             | DS-69              |                     | O/S           | Na    | S            | See Mode Parameter   |
| 6   | BLOCK_ERR            | Bitstring(2)       |                     |               | E     | D / RO       |  |
| 7   | OCCURRENCE / CHANNEL | Unsigned16         |                     | 0             | None  | S / O/S      | For more details about the configuration of this parameter, see Chapter 1 "CHANNEL Configuration". It defines the transducer to be used going to or from the physical world. It addresses a group of eight points. |
| 8   | OUT_D1               | DS-66              |                     |               |       | D / Man      | Numbered discrete input 1.   |
| 9   | OUT_D2               | DS-66              |                     |               |       | D / Man      | Numbered discrete input 2.   |
| 10  | OUT_D3               | DS-66              |                     |               |       | D / Man      | Numbered discrete input 3.   |
| 11  | OUT_D4               | DS-66              |                     |               |       | D / Man      | Numbered discrete input 4.   |
| 12  | OUT_D5               | DS-66              |                     |               |       | D / Man      | Numbered discrete input 5.   |
| 13  | OUT_D6               | DS-66              |                     |               |       | D / Man      | Numbered discrete input 6.   |
| 14  | OUT_D7               | DS-66              |                     |               |       | D / Man      | Numbered discrete input 7.   |
| 15  | OUT_D8               | DS-66              |                     |               |       | D / Man      | Numbered discrete input 8.   |
| 16  | UPDATE_EVT           | DS-73              |                     |               | Na    | D            |  |
| 17  | BLOCK_ALM            | DS-72              |                     |               | Na    | D            |  |

Legend: E – Enumerated parameter; Na – Adimensional parameter; RO – Read only; D – dynamic; N – non-volatile; S - static

Gray Background Line: Default Parameters of Syscon

If DIAG.BEHAVIOR parameter is “Adapted”:

The default value of OCCURRENCE is the number of MDI blocks instantiated for the FB-700.

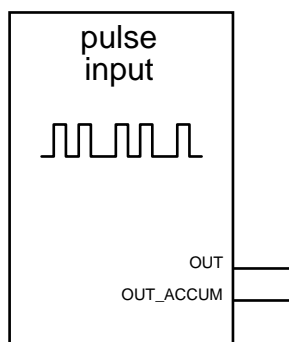
The required mode for writing is the actual mode, regardless the target mode: OUT\_1, OUT\_2, ..., OUT\_8.

| Device type      | Description                    |
|------------------|--------------------------------|
| FB700            | Block has OCCURRENCE parameter |
| DFI302 AND DC302 | Block has CHANNEL parameter    |

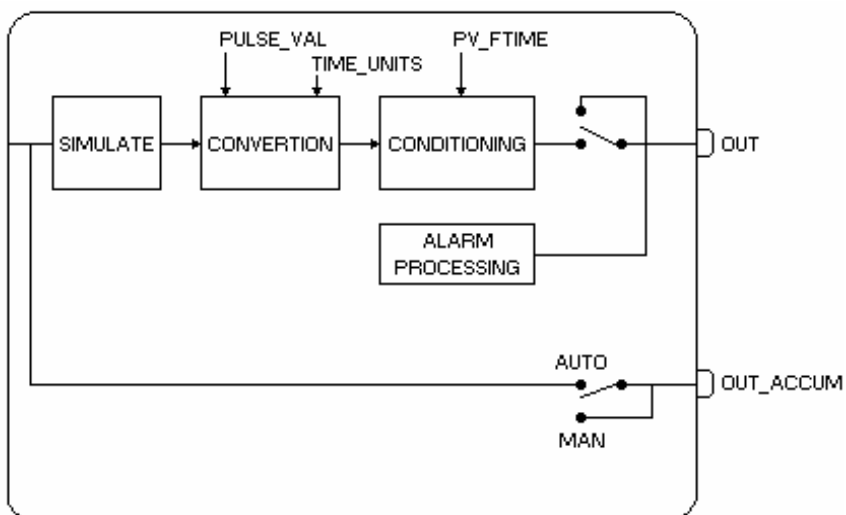
## PUL – Pulse Input

### Overview

The Pulse Input Block provides analog values based on a pulse (counter) transducer input. There are two primary outputs available. An accumulation output is intended to be connected to an integrator block for differencing, conversion, and integration. This is most useful when the count rate is low relative to the block execution rate. For high count rates, the accumulated count of pulses per block execution can be interpreted as an analog rate (vs. accumulation) value and can be alarmed. (Alarm conditions include high, high-high, low, and low-low alarms.)



### Schematic



### Description

OUT is a connectable bipolar (signed) analog value output of the PI block. It is determined by taking the number of counts accumulated since the last execution of the block, multiplying by the value of each pulse (PULSE\_VAL), dividing by the block's execution rate in seconds, converting to units/minute, units/hour, or units/day in accordance with the TIME\_UNITS enumeration, and filtering using PV\_FTIME. PV\_FTIME is the time constant for a filter. Alarming is performed on this filtered value. Reverse flow may be detected from the transducer and indicated via a negative value of OUT.

Pre-filtered value = (change\_in\_counts \* PULSE\_VAL / exec\_period) \* time\_unit\_factor  
Where,

**CHANGE\_IN\_COUNTS** is the number of counts received since last execution

**PULSE\_VAL** is the value in engineering units of each pulse

**EXEC\_PERIOD** is the execution period of the block in seconds

**Time Unit Factor** is 1 sec/sec, 60 sec/min, 3600 sec/hour, or 86400 sec/day, per the TIME\_UNITS index.

For example, 70 pulse counts are received by the transducer in the 0.5 second execution period of the PI block. The metering device manufacturer specifies that each pulse represents 0.1 gallons of flow. The user wants the flow rate expressed in "gallons per minute". PULSE\_VAL should be set to 0.1. TIME\_UNITS should be set to "units/minute". The related time\_unit\_factor will be "60 sec/min". Using the above equation, the pre-filtered rate value will then be computed as:

$$\begin{aligned} & ((70 \text{ pulses} * 0.1 \text{ gallons/pulse}) / 0.5 \text{ sec}) * 60 \text{ sec/min} = \\ & (7.0 \text{ gallons/} 0.5 \text{ sec}) * 60 \text{ sec/min} = \\ & (14.0 \text{ gallons/sec}) * 60 \text{ sec/min} = \\ & 840 \text{ gallons/min} \end{aligned}$$

OUT\_ACCUM is a connectable float output of the PI block. It is intended to be connected to the Integrator block for totalization, so it only accumulates enough to avoid rollover between executions of the Integrator block. It represents a continuous accumulation of counts from the transducer, limited to the range of values from 0 to 999,999. It can count either up or down. An increment of the accumulation 999,999 by 1 will result in the accumulation 0 and a decrement of the accumulation 0 by 1 will result in the accumulation 999,999. A maximum change to the accumulation of  $\pm 499,999$  counts is permitted to be reflected in OUT\_ACCUM in a single execution of the block. If a change of counts greater in magnitude than 499,999 occurs at the transducer:

- The change in OUT\_ACCUM is limited to 499,999 of the proper sign,
- The OUT\_ACCUM status's quality is set to uncertain,
- The OUT\_ACCUM status's sub-status is set to "Engr. Units Range Violation",
- The OUT\_ACCUM status's limits = low (if negative) or limits = high (if positive) indicator is set
- A BLOCK\_ALM must be issued.

CHANNEL is used to associate the block with the hardware that is connected to this block. It defines the transducer to be used coming from the physical world.

### **Supported Modes**

O/S, Manual and Auto modes are supported.

### **Mode Handling**

Manual mode "disconnects" the input from the output and permits manual substitution of the value. OUT is the alarmed value and the value which normally would be substituted, but OUT\_ACCUM may also be substituted.

On transition from Manual to Auto, the PV filter will be initialized to the value of OUT, and the accumulated total will be set to the value of OUT\_ACCUM.

### **Status Handling**

This block has no inputs from other blocks and therefore does not react to status of other blocks. Both the OUT and the OUT\_ACCUM outputs have status and will reflect the status of the transducer (e.g. hardware failure) and the mode of the block (e.g., out-of-service, manual, etc.) using the conventional rules of status.

An unusable status (bad) for OUT will cause the alarm processing to be suspended. Current alarms will not be cleared and new alarms will not be generated until the status returns to a usable status.

### **Simulation**

The SIMULATE\_P parameter is provided to simulate pulse input as a rate in pulses/second, rather than the actual transducer value. The value entered in the SIMULATE\_P record is considered to be the signed change in accumulation per second. The quality of the status entered is passed to the status of OUT and OUT\_ACCUM.



## Parameters

| Idx | Parameter   | Data Type (length) | Valid Range/Options  | Default Value | Units | Store / Mode | Description   |
|-----|-------------|--------------------|--|---------------|-------|--------------|---|
| 1   | ST_REV      | Unsigned16         |  | 0             | None  | S/RO         |   |
| 2   | TAG_DESC    | OctString(32)      |  | Spaces        | Na    | S            |   |
| 3   | STRATEGY    | Unsigned16         |  | 0             | None  | S            |   |
| 4   | ALERT_KEY   | Unsigned8          | 1 to 255   | 0             | None  | S            |   |
| 5   | MODE_BLK    | DS-69              |  | O/S           | Na    | S            | See Mode Parameter  |
| 6   | BLOCK_ERR   | Bitstring(2)       |  |               | E     | D / RO       |   |
| 7   | PV          | DS-65              |  |               | PV    | D / RO       | Process analog value for use in executing the function.   |
| 8   | OUT         | DS-65              | OUT_SCALE +/- 10%  |               | OUT   | D / Man      | The analog value calculated as a result of executing the function.  |
| 9   | OUT_ACCUM   | DS-65              |  |               | None  | N / Man      | This parameter is the number of counts accumulated in an on-going basis. It is not normally reset except that it wraps around to zero after reaching 999,999 counts. The value is based on the transducer input in <i>Auto</i> mode and is the last transducer value of the value specified by the operator/engineer in <i>Man</i> mode. (Its meaning is most useful when the number of counts received between executions of the block is small.) It is intended to be connected to the counter input of an integrator block. The OUT_ACCUM value may increase or decrease by a maximum of 499,999 counts per execution. |
| 10  | SIMULATE_P  | DS-82              | 1: Disable ;<br>2: Active<br>are the Enable/Disable options.                     | Disable       |       | D            | Allows the transducer input to the Pulse Input block to be manually supplied when simulate is enabled. When simulation is disabled, the simulate value and status track the actual value and status. The value is the rate of change of the transducer count in counts per second, not the accumulation.  |
| 11  | PULSE_VAL   | Float              |  | 0             | None  |              | Value of each metered pulse in engineering units. Used only to calculate PV and OUT. Not used for OUT_ACCUM calculation.  |
| 12  | TIME_UNITS  | Unsigned8          | 1: seconds<br>2: minutes<br>3: hours<br>4: days<br>5: [day-<br>[hr:[min[:sec]]]] | 0             | E     | S            | Time units factor to be used in the conversion of the output.   |
| 13  | OUT_SCALE   | DS-68              |  | 0-100%        | OUT   | S / Man      | The high and low scale values to the OUT parameter.   |
| 14  | GRANT_DENY  | DS-70              |  | 0             | na    | D            |   |
| 15  | IO_OPTS     | Bitstring(2)       | See Block Options  | 0             | na    | S / O/S      | See Block Options   |
| 16  | STATUS_OPTS | Bitstring(2)       | See Block Options  | 0             | Na    | S / O/S      | See Block Options   |
| 17  | CHANNEL     | Unsigned16         |  | 0             | None  | S / O/S      | For more details about the configuration of this parameter, see Chapter 1 "CHANNEL Configuration".  |

| Idx | Parameter  | Data Type (length) | Valid Range/Options                       | Default Value | Units | Store / Mode | Description  |
|-----|------------|--------------------|---|---------------|-------|--------------|--|
| 18  | PV_FTIME   | Float              | Non-Negative                              | 0             | Sec   | S            | Time constant of a single exponential filter for the PV, in seconds.   |
| 19  | FIELD_VAL  | DS-65              |   |               | %     | D / RO       | Raw value of the field device with a status reflecting the Transducer condition, before filtering (PV_FTIME).  |
| 20  | UPDATE_EVT | DS-73              |   |               | Na    | D            | This alert is generated by any change to the static data.  |
| 21  | BLOCK_ALM  | DS-72              |   |               | Na    | D            | The block alarm is used for all configuration, hardware, connection failure or system problems in the block. The cause of the alert is entered in the subcode field. The first alert to become active will set the Active status in the Status attribute. As soon as the Unreported status is cleared by the alert reporting task, another block alert may be reported without clearing the Active status, if the subcode has changed. |
| 22  | ALARM_SUM  | DS-74              | See Block Options                         |               | Na    | S            | The current alert status, unacknowledged states, unreported states, and disabled states of the alarms associated with the function block.  |
| 23  | ACK_OPTION | Bitstring(2)       | 0: Auto ACK Disable<br>1: Auto ACK Enable | 0             | Na    | S            | Selection of whether alarms associated with the block will be automatically acknowledged   |
| 24  | ALARM_HYS  | Float              | 0 to 50 %                                 | 0.5%          | %     | S            | Alarm hysteresis parameter. In order to clear the alarm the amount the PV must return within the alarm limit plus hysteresis (percentage of OUT_SCALE).  |
| 25  | HI_HI_PRI  | Unsigned8          | 0 to 15                                   |               |       | S            | Priority of the high high alarm.   |
| 26  | HI_HI_LIM  | Float              | OUT_SCALE, +INF                           | +INF          | OUT   | S            | The setting for high high alarm in engineering units.  |
| 27  | HI_PRI     | Unsigned8          | 0 to 15                                   |               |       | S            | Priority of the high alarm.  |
| 28  | HI_LIM     | Float              | OUT_SCALE, +INF                           | +INF          | OUT   | S            | The setting for high alarm in engineering units.   |
| 29  | LO_PRI     | Unsigned8          | 0 to 15                                   |               |       | S            | Priority of the low alarm.   |
| 30  | LO_LIM     | Float              | OUT_SCALE, -INF                           | -INF          | OUT   | S            | The setting for low alarm in engineering units.  |
| 31  | LO_LO_PRI  | Unsigned8          | 0 to 15                                   |               |       | S            | Priority of the low low alarm.   |
| 32  | LO_LO_LIM  | Float              | OUT_SCALE, -INF                           | -INF          | OUT   | S            | The setting for low low alarm in engineering units.  |
| 33  | HI_HI_ALM  | DS-71              |   |               | OUT   | D            | The status for high high alarm and its associated time stamp.  |
| 34  | HI_ALM     | DS-71              |   |               | OUT   | D            | The status for high alarm and its associated time stamp.   |
| 35  | LO_ALM     | DS-71              |   |               | OUT   | D            | The status for low alarm and its associated time stamp.  |
| 36  | LO_LO_ALM  | DS-71              |   |               | OUT   | D            | The status for low low alarm and its associated time stamp.  |

Legend: E – Enumerated parameter; Na – Adimensional parameter; RO – Read only; D – dynamic; N – non-volatile; S - static

Gray Background Line: Default Parameters of Syscon

If DIAG.BEHAVIOR parameter is “Adapted”:

The default value of CHANNEL is the lowest available number.

The required mode for writing is the actual mode, regardless the target mode : OUT

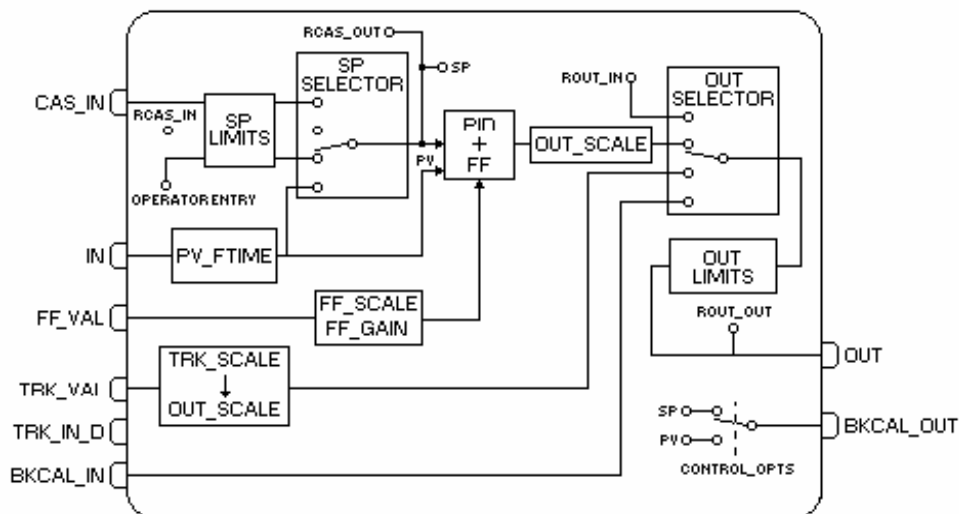
## Control and Calculation Function Blocks

### PID/EPID - PID Control/Enhanced PID Control

#### Overview

The PID block offers a lot of control algorithms that use the Proportional, integral and derivative terms.

#### Schematic



#### Description

The algorithm of the PID is the non-iterative or ISA. In this algorithm, the GAIN is applied to all terms of the PID, and the Proportional and the Integral actuate over the error, and the derivative actuates over the PV value. Therefore user changes of SP will not cause bump in the output due to the derivative term when the block is in Auto.

As long as an error exists, the PID function will integrate the error, which moves the output in a direction to correct the error. PID blocks may be cascaded when the difference in process time constants of a primary and secondary process measurement makes it necessary or desirable.

See the PV calculation and SP calculation section for details.

#### Direct and Reverse Acting

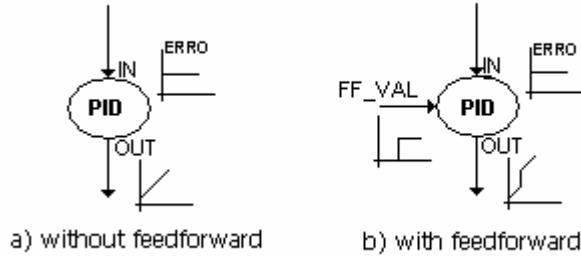
It is possible to choose the direct or reverse action of control that is made through the "Direct Acting" bit in the CONTROL\_OPTS parameter:

- If the "Direct acting" bit is true then the error is obtained subtracting the SP from the PV:  
Error = (PV – SP)
- If the "Direct acting" bit is false (clear), the choice is "Reverse acting" then the error is obtained subtracting the PV from the SP:  
Error = (SP – PV)

The Default value of the "Direct acting" bit is false, it means "reverse action".

### Feedforward Control

The PID block supports the feedforward algorithm. The FF\_VAL input is supplied by an external value, which is proportional to some disturbance in the control loop. The value is converted to output scale using the FF\_SCALE and OUT\_SCALE parameters. This value is multiplied by the FF\_GAIN and added to the output of the PID algorithm.



If the status of FF\_VAL is Bad, the last usable value will be used. When the status returns to good, the difference of FF\_VAL values will be subtracted from BIAS\_A/M in order to avoid bump in the output.

### PID Constants

GAIN (Kp), RESET (Tr), and RATE (Td) are the tuning constants for the P, I and D terms, respectively. Gain is a dimensionless number. RESET and RATE are time constants expressed in seconds. There are existing controllers that are tuned by the inverse value of some or all of them, such as proportional band and repeats per minute. The human interface to these parameters should be able to display the user's preference.

### Bypass

When bypass is active the SP value will be transferred to the OUT without the calculation of PID terms. Bypass is used in secondary cascade controller when the PV is bad.

#### Conditions to turn the Bypass on:

- The "Bypass Enable" bit in the CONTROL\_OPTS must be true.
- BYPASS parameter is changed to ON.
- The BYPASS parameter is the ON/OFF switch that activates the bypass. By default, it can be changed only when the block mode is Man or O/S. Optionally, when the "Change of Bypass in an automatic mode" bit in the FEATURES\_SEL parameter in Resource block is true, then the block permits that the BYPASS switch changes in automatic modes too.

There is special treatment when the Bypass parameter changes ON/OFF in order to avoid bump in the output. When the bypass is switched to ON, the SP receives the OUT value in percent of the OUT\_SCALE. And when the bypass is switched to OFF, the SP receives the PV value.

| Transition in BYPASS | Action                            |
|----------------------|-----------------------------------|
| OFF -> ON            | OUT -> SP with scaling conversion |
| ON -> OFF            | PV -> SP                          |

Below, there is an example of the bypass in the PID block working as a PID slave in cascade control.

- Step 1 – the status of IN is bad, therefore the actual mode of PID is Man
- Step 2 - the target mode is changed to Man in order to write BYPASS
- Step 3 – the user sets BYPASS to ON, and OUT is transferred to SP with scaling conversion
- Step 4 – the user changes the target mode to Cas
- Step 5 – the PID block reaches the Cas mode, despite of IN.Status.
- Step 7 – the status of IN becomes good
- Step 8 - the target mode is changed to Man in order to write BYPASS
- Step 9 – the user sets BYPASS to OFF, and PV is transferred to SP

CONTROL\_OPTS = "Bypass Enable"

| Steps     | 1        | 2        | 3        | 4        | 5        | 6        | 7         | 8         | 9         | 10        | 11        |
|-----------|----------|----------|----------|----------|----------|----------|-----------|-----------|-----------|-----------|-----------|
| Target    | Cas      | Man      |          | Cas      |          |          |           | Man       |           | Cas       |           |
| Bypass    | Off      |          | On       |          |          |          |           |           | Off       |           |           |
| IN        | Bad      | Bad      | Bad      | Bad      | Bad      | Bad      | GNC<br>80 | GNC<br>80 | GNC<br>80 | GNC<br>80 | GNC<br>80 |
| SP        | GC<br>50 | GC<br>50 | GC<br>20 | GC<br>20 | GC<br>20 | GC<br>20 | GC<br>20  | GC<br>20  | GC<br>80  | GC<br>80  | GC<br>80  |
| Actual    | Man      | Man      | Man      | Man      | Cas      | Cas      | Cas       | Man       | Man       | Man       | Cas       |
| BKCAL_OUT | NI       | NI       | NI       | IR       | GC       | GC       | GC        | NI        | NI        | IR        | GC        |
| OUT       | GC<br>20 | GC<br>20 | GC<br>20 | GC<br>20 | GC<br>20 | GC<br>20 | GC<br>20  | GC<br>20  | GC<br>20  | GC<br>20  | GC<br>20  |

**Legend: GNC-Good Non Cascade status; GC-Good Cascade status**

### Output Tracking

The PID block supports the output track algorithm, which allows the output to be forced to a tracking value when the tracking switch is on.

In order to activate the output tracking, the block should attend the following conditions:

- bit "Track Enable" in the CONTROL\_OPTS parameter must be true;
- the target mode is an automatic mode (Auto, Cas and Rcas) or Rout;
- status TRK\_VAL and TRK\_IN\_D are usable, it means the status is good or uncertain and the bit STATUS\_OPTS."Use Uncertain as good" is true;
- the value of TRK\_IN\_D is active;
- If the target mode is Man, it is necessary, besides the above conditions, the bit "Track in Manual" in the CONTROL\_OPTS parameter must be true.

When the tracking output is active, the OUT will be transferred to TRK\_VAL converted in OUT\_SCALE. The limit status becomes constant and the actual mode goes to LO.

If the TRK\_IN\_D or TRK\_VAL status is unusable, the tracking output will be disabled and PID will return to the normal operation.

### Additional features for the Enhanced PID block (EPID)

The EPID function block provides the following additional features:

#### 1- Different type of transfer from a "manual" mode to an "automatic" mode.

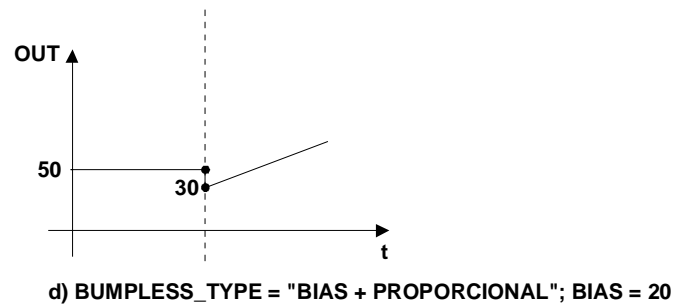
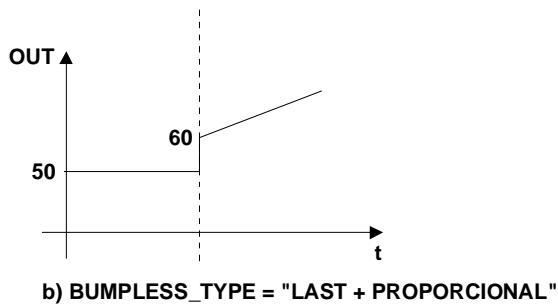
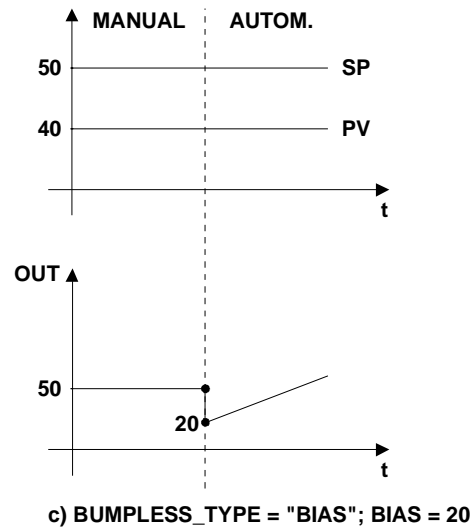
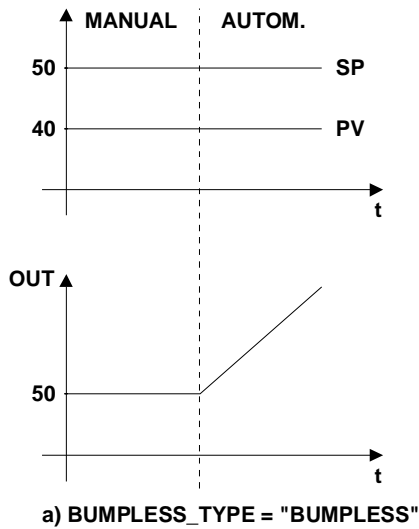
The BUMPLESS\_TYPE parameter provides four types of transfer from a "manual" mode to an "automatic" mode:

**a.bumpless** : This is the default value and the behavior of the standard PID block. The block starts to calculate from the last value in the "manual" mode.

**b.Last + proportional**: The block starts to calculate from the last value in the "manual" mode plus the proportional term

**c. Bias**: The block starts to calculate from the BIAS parameter.

**d. Bias + proportional**: The block starts to calculate from the BIAS parameter plus the proportional term.



## 2.-Special treatment to Output Tracking

Special treatment is made when the output tracking is enabled:

The algorithm generates an IFS status in the output in the following situations:

- When `TRK_IN_D` has an unusable status and the "IFS if Bad `TRK_IN_D`" bit in `PID_OPTS` is true.
- When `TRK_VAL` has an unusable status and the "IFS if Bad `TRK_VAL`" bit in `PID_OPTS` is true.

The mode is changed to Man when the tracking inputs are not usable in the following ways:

- When the `TRK_IN_D` is not usable and the "Man if Bad `TRK_IN_D`" bit in `PID_OPTS` is true then the mode will be Man and the `OUT` will be the last value. Optionally, if the "target to Man if Bad `TRK_IN_D`" bit in the `PID_OPTS` is true, then the target mode will be changed to Man too.
- When the `TRK_VAL` is not usable and the "Man if Bad `TRK_VAL`" bit in `PID_OPTS` is true, then the mode will be Man and the `OUT` will be the last usable value. Optionally, if the "target to Man if Bad `TRK_VAL`" bit in the `PID_OPTS` is true, then the target mode will be changed to Man too.

Optionally, the target mode of the output block will be changed to Manual by the block algorithm when the "tracking" is active. To set this feature, the "Target to Man if tracking active" bit in the `PID_OPTS` parameter needs to be true.

The required actions are summarized in the following table:

| Situation  | PID_OPTS  | Mode   |                | Algorithm Action   |
|--|---|--------|----------------|--|
|  |   | Target | Actual         |  |
| TRK_IN_D is not usable   | 0x00  |        | "auto"         | . Output tracking is not active.<br>. The algorithm continues the normal calculation.  |
|  | IFS if Bad TRK_IN_D                                     |        | "auto" -> Iman | . Output tracking is not active.<br>. The algorithm continues the normal calculation.<br>. OUT.Status is GoodC-IFS.<br>. When the output block goes to fault state, the upper blocks go to Iman. |
|  | Man if Bad TRK_IN_D                                     |        | Man            | . Output tracking is not active.<br>. The algorithm stops the calculation.   |
|  | "Target to Man if Bad TRK_IN_D" ; "Man if Bad TRK_IN_D" | Man    | Man            | . Output tracking is not active. The target mode is changed to Man.  |
| TRK_VAL is not usable  | 0x00  |        | "auto"         | . Output tracking is not active.<br>. The algorithm continues the normal calculation.  |
|  | IFS if Bad TRK_VAL                                      |        | "auto" -> Iman | . Output tracking is not active.<br>. The algorithm continues the normal calculation.<br>. OUT.Status is GoodC-IFS.<br>. When the output block goes to fault state, the upper blocks go to Iman. |
|  | Man if Bad TRK_VAL                                      |        | Man            | . Output tracking is not active.<br>. The algorithm stops the calculation.   |
|  | "Target to Man if Bad TRK_VAL" ; "Man if Bad TRK_VAL"   | Man    | Man            | . Output tracking is not active. the target mode is changed to Man.  |
| TRK_IN_D and TRK_VAL is usable, TRK_IN_D is active, output tracking is enabled |   |        | LO             | Output Tracking is active.   |

If the additional parameters of EPID block is configured with the default values, the block works as the standard PID block.

### BLOCK\_ERR

The BLOCK\_ERR of the PID block will reflect the following causes:

- Block Configuration Error – the configuration error occurs when the BYPASS and SHED\_OPT parameters have an invalid value;
- Out of Service – it occurs when the block is in O/S mode.

### Supported Modes

O/S,IMAN, LO, MAN, AUTO, CAS, RCAS and ROUT.

### Control Algorithm

$$OUT = GAIN * \left[ E + \frac{RATE * S}{1 + \alpha * RATE * S} * PV + \frac{E}{RESET * S} \right] + BIAS\_A/M + FEEDFORWARD$$

NOTE: ① BIAS\_A/M: Internal BIAS Calculated on changing to automatic modes (RCAS, CAS, AUTO).

- $\alpha$ : Pseudo - Derivative Gain Equals to 0.13

Parameters

| Idx | Parameter    | Data Type (length) | Valid Range/Options | Default Value | Units  | Store / Mode | Description  |
|-----|--------------|--------------------|---------------------|---------------|--------|--------------|--|
| 1   | ST_REV       | Unsigned16         |                     | 0             | None   | S/RO         |  |
| 2   | TAG_DESC     | OctString(32)      |                     | Spaces        | Na     | S            |  |
| 3   | STRATEGY     | Unsigned16         |                     | 0             | None   | S            |  |
| 4   | ALERT_KEY    | Unsigned8          | 1 to 255            | 0             | None   | S            |  |
| 5   | MODE_BLK     | DS-69              |                     | O/S           | Na     | S            | See Mode Parameter   |
| 6   | BLOCK_ERR    | Bitstring(2)       |                     |               | E      | D / RO       |  |
| 7   | PV           | DS-65              |                     |               | PV     | D / RO       | Process analog value. This is the IN value after pass over the PV filter.  |
| 8   | SP           | DS-65              | PV_SCALE +/- 10%    |               | PV     | N / Auto     | The analog set point. Can be set manually, automatically through the interface device or another field device.                                     |
| 9   | OUT          | DS-65              | OUT_SCALE +/- 10%   |               | OUT    | N / Man      | The output value result of the PID calculation.  |
| 10  | PV_SCALE     | DS-68              |                     | 0-100%        | PV     | S / Man      | The high and low scale values to the PV and SP parameter.  |
| 11  | OUT_SCALE    | DS-68              |                     | 0-100%        | OUT    | S / Man      | The high and low scale values to the OUT parameter.  |
| 12  | GRANT_DENY   | DS-70              |                     | 0             | na     | D            | Options for controlling access of host computer and local control panels to operating, tuning and alarm parameters of the block.                   |
| 13  | CONTROL_OPTS | Bitstring(2)       | See Block Options   | 0             | na     | S / O/S      | See Block Options  |
| 14  | STATUS_OPTS  | Bitstring(2)       | See Block Options   | 0             | Na     | S / O/S      | See Block Options  |
| 15  | IN           | DS-65              |                     |               | PV     | D            | The primary input value of the block, or PV value.   |
| 16  | PV_FTIME     | Float              | Non-Negative        | 0             | Sec    | S            | Time constant of a single exponential filter for the PV, in seconds.   |
| 17  | BYPASS       | Unsigned8          | 1:Off<br>2:On       | 0             | E      | S / Man      | When bypass is set, the setpoint value (in percent) will be directly transferred to the output.  |
| 18  | CAS_IN       | DS-65              |                     |               |        | D            | <b>This parameter is the remote setpoint value, which must come from another Fieldbus block, or a DCS block through a defined link.</b>            |
| 19  | SP_RATE_DN   | Float              | Positive            | +INF          | PV/Sec | S            | Ramp rate at which upward setpoint changes in PV units per second. It is disable if is zero or +INF. Rate limiting will apply only in AUTO mode.   |
| 20  | SP_RATE_UP   | Float              | Positive            | +INF          | PV/Sec | S            | Ramp rate at which downward setpoint changes in PV units per second. It is disable if is zero or +INF. Rate limiting will apply only in AUTO mode. |
| 21  | SP_HI_LIM    | Float              | PV_SCALE +/- 10%    | 100           | PV     | S            | The setpoint high limit is the highest setpoint operator entry that can be used for the block.   |
| 22  | SP_LO_LIM    | Float              | PV_SCALE +/- 10%    | 0             | PV     | S            | The setpoint low limit is the lowest setpoint operator entry that can be used for the block.   |
| 23  | GAIN         | Float              |                     | 0             | None   | S            | Proportional term of the PID. It is the Kp value.  |
| 24  | RESET        | Float              | Positive            | +INF          | sec    | S            | Integral term of the PID. It is the Tr value.  |



| Idx | Parameter  | Data Type (length) | Valid Range/ Options   | Default Value | Units | Store / Mode | Description   |
|-----|------------|--------------------|--|---------------|-------|--------------|---|
| 25  | BAL_TIME   | Float              | Positive   | 0             | sec   | S            | This specifies the time for the internal working value of bias or ratio to return to the operator set bias or ratio, in seconds.<br><br>In the PID block, it may be used to specify the time constant at which the integral term will move to obtain balance when the output is limited and the mode is Auto, Cas, or Rcas. |
| 26  | RATE       | Float              | Positive   | 0             | sec   | S            | <b>Derivative term of the PID. It is the Td value.</b>  |
| 27  | BKCAL_IN   | DS-65              |  |               | OUT   | N            | <b>The value and status from a lower block's BKCAL_OUT that is used to prevent reset windup and to initialize the control loop.</b>   |
| 28  | OUT_HI_LIM | Float              | OUT_SCALE +/- 10%  | 100           | OUT   | S            | Limits the maximum output value.  |
| 29  | OUT_LO_LIM | Float              | OUT_SCALE +/- 10%  | 0             | OUT   | S            | Limits the minimum output value.  |
| 30  | BKCAL_HYS  | Float              | 0 to 50%   | 0.5%          | %     | S            | The amount that the output must change away from its output limit before the limit status is turned off, expressed as a percent of the span of the output.  |
| 31  | BKCAL_OUT  | DS-65              |  |               | PV    | D / RO       | <b>The value and status required by an upper block's BKCAL_IN so that the upper block may prevent reset windup and provide bumpless transfer to closed loop control.</b>  |
| 32  | RCAS_IN    | DS-65              |  |               | PV    | D            | Target setpoint and status provided by a supervisory Host to a analog control or output block.  |
| 33  | ROUT_IN    | DS-65              |  |               | OUT   | D            | Target output and status provided by a Host to the control block for use as the output (Rout mode).   |
| 34  | SHED_OPT   | Unsigned8          | 1: NormalShed, NormalReturn<br>2: NormalShed, NoReturn<br>3: ShedToAuto, NormalReturn<br>4: ShedToAuto, NoReturn<br>5: ShedToMan, NormalReturn<br>6: ShedToMan, NoReturn<br>7: ShedToRetainedTarget, NormalReturn<br>8: ShedToRetainedTarget, NoReturn | 0             |       | S            | Defines action to be taken on remote control device timeout.  |
| 35  | RCAS_OUT   | DS-65              |  |               | PV    | D / RO       | Block setpoint and status after ramping - provided to a supervisory Host for back calculation and to allow action to be taken under limiting conditions or mode change.   |
| 36  | ROUT_OUT   | DS-65              |  |               | OUT   | D / RO       | Block output and status - provided to a Host for back calculation in ROut mode and to allow action to be taken under limited conditions or mode change  |

| Idx | Parameter  | Data Type (length) | Valid Range/ Options                      | Default Value | Units  | Store / Mode | Description  |
|-----|------------|--------------------|---|---------------|--------|--------------|--|
| 37  | TRK_SCALE  | DS-68              |   | 0-100%        | TRK    | S / Man      | The high and low scale values, engineering units code, and number of digits to the right of the decimal point, associated with TRK_VAL.  |
| 38  | TRK_IN_D   | DS-66              |   |               | On/Off | D            | <b>This discrete input is used to initiate external tracking of the block output to the value specified by TRK_VAL.</b>  |
| 39  | TRK_VAL    | DS-65              |   |               | TRK    | D            | <b>This input is used as the track value when external tracking is enabled by TRK_IN_D.</b>  |
| 40  | FF_VAL     | DS-65              |   |               | FF     | D            | The feed forward value and status.   |
| 41  | FF_SCALE   | DS-68              |   | 0-100%        | FF     | S            | The feedforward input high and low scale values, engineering units code, and number of digits to the right of the decimal point.   |
| 42  | FF_GAIN    | Float              |   | 0             | none   | S/Man        | The gain that the feed forward input is multiplied by before it is added to the calculated control output.   |
| 43  | UPDATE_EVT | DS-73              |   |               | Na     | D            | This alert is generated by any change to the static data.  |
| 44  | BLOCK_ALM  | DS-72              |   |               | Na     | D            | The block alarm is used for all configuration, hardware, connection failure or system problems in the block. The cause of the alert is entered in the subcode field. The first alert to become active will set the Active status in the Status attribute. As soon as the Unreported status is cleared by the alert reporting task, another block alert may be reported without clearing the Active status, if the subcode has changed. |
| 45  | ALARM_SUM  | DS-74              | See Block Options                         |               | Na     | S            | The current alert status, unacknowledged states, unreported states, and disabled states of the alarms associated with the function block.  |
| 46  | ACK_OPTION | Bitstring(2)       | 0: Auto ACK Disable<br>1: Auto ACK Enable | 0             | Na     | S            | Selection of whether alarms associated with the block will be automatically acknowledged   |
| 47  | ALARM_HYS  | Float              | 0 to 50 %                                 | 0.5%          | %      | S            | Alarm hysteresis parameter. In order to clear the alarm the amount the PV must return within the alarm limit plus hysteresis.  |
| 48  | HI_HI_PRI  | Unsigned8          | 0 to 15                                   | 0             |        | S            | Priority of the high high alarm.   |
| 49  | HI_HI_LIM  | Float              | PV_SCALE, +INF                            | +INF          | PV     | S            | The setting for high high alarm in engineering units.  |
| 50  | HI_PRI     | Unsigned8          | 0 to 15                                   | 0             |        | S            | Priority of the high alarm.  |
| 51  | HI_LIM     | Float              | PV_SCALE, +INF                            | +INF          | PV     | S            | The setting for high alarm in engineering units.   |
| 52  | LO_PRI     | Unsigned8          | 0 to 15                                   | 0             |        | S            | Priority of the low alarm.   |
| 53  | LO_LIM     | Float              | PV_SCALE, +INF                            | -INF          | PV     | S            | The setting for low alarm in engineering units.  |
| 54  | LO_LO_PRI  | Unsigned8          | 0 to 15                                   | 0             |        | S            | Priority of the low low alarm.   |
| 55  | LO_LO_LIM  | Float              | PV_SCALE, +INF                            | -INF          | PV     | S            | The setting for low low alarm in engineering units.  |
| 56  | DV_HI_PRI  | Unsigned8          | 0 to 15                                   | 0             |        | S            | Priority of the deviation high alarm.  |
| 57  | DV_HI_LIM  | Float              | 0 to PV span, +INF                        | +INF          | PV     | S            | The setting for deviation high alarm in engineering units.   |
| 58  | DV_LO_PRI  | Unsigned8          | 0 to 15                                   | 0             |        | S            | Priority of the deviation low alarm.   |
| 59  | DV_LO_LIM  | Float              | -INF, -PV span to 0                       | -INF          | PV     | S            | The setting for deviation low alarm in engineering units.  |
| 60  | HI_HI_ALM  | DS-71              |   |               | PV     | D            | The status for high high alarm and its associated time stamp.  |

| Idx | Parameter | Data Type (length) | Valid Range/ Options | Default Value | Units | Store / Mode | Description  |
|-----|-----------|--------------------|----------------------|---------------|-------|--------------|--|
| 61  | HI_ALM    | DS-71              |                      |               | PV    | D            | The status for high alarm and its associated time stamp.           |
| 62  | LO_ALM    | DS-71              |                      |               | PV    | D            | The status for low alarm and its associated time stamp.            |
| 63  | LO_LO_ALM | DS-71              |                      |               | PV    | D            | The status for low low alarm and its associated time stamp.        |
| 64  | DV_HI_ALM | DS-71              |                      |               | PV    | D            | The status for deviation high alarm and its associated time stamp. |
| 65  | DV_LO_ALM | DS-71              |                      |               | PV    | D            | The status for deviation low alarm and its associated time stamp.  |

**Legend: E – Enumerated parameter; Na – Adimensional parameter; RO – Read only; D – dynamic; N – non-volatile; S - static**

**Gray Background Line: Default Parameters of Syscon**

Enhanced PID - Additional Parameters

| Idx | Parameter     | Type         | Valid Range/<br>Options  | Default<br>Value | Units | Mode To<br>Change | Description  |
|-----|---------------|--------------|--|------------------|-------|-------------------|--|
| 66  | BUMPLESS_TYPE | Unsigned8    | 0: Bumpless<br>1: Last+Proportional<br>2: Bias<br>3: Bias+Proportional | 0                | E     | S / Man           | Options that defines the algorithm action to start the output when the block transfer from "manual" to "automatic" mode. |
| 67  | BIAS          | Float        |  | 0                | OUT   | S                 | The bias value to use in the PID algorithm when the BUMPLESS type is "Bias" or "Bias+Proportional".                      |
| 68  | PID_OPTS      | Bitstring(2) | See block options  | 0                |       | S / O/S           | The options for handling the additional features of the output tracking.   |

Legend: E – Enumerated parameter; Na – Adimensional parameter; RO – Read only; D – dynamic; N – non-volatile; S - static

Gray Background Line: Default Parameters of Syscon

If DIAG.BEHAVIOR parameter is "Adapted":

The default value of BYPASS is OFF.

The default value of SHED\_OPT is NormalShed/NormalReturn.

The required mode for writing is the actual mode, regardless the target mode: SP and OUT.

## APID – Advanced Pid

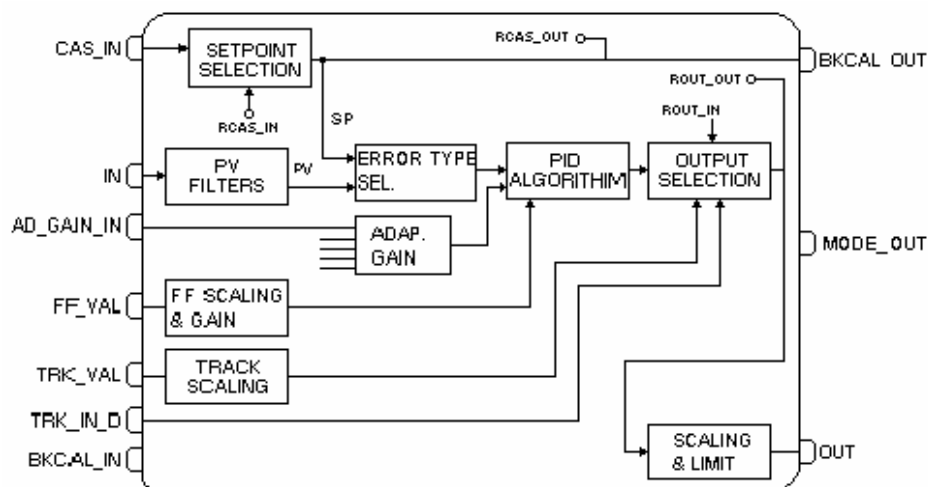
### Overview

The advanced PID function block provides the following additional features comparing to the standard PID algorithm and the enhanced PID:

- Selection of the terms (proportional, integral, derivative) calculated on error or process variable
- PI Sampling algorithm
- Adaptive gain
- Configurable Limits of anti reset wind-up
- Special treatment for the error
- Discrete output to indicate the actual mode

The standard features as well the enhanced ones are described in the PID block, therefore they will not be repeated here.

### Schematic



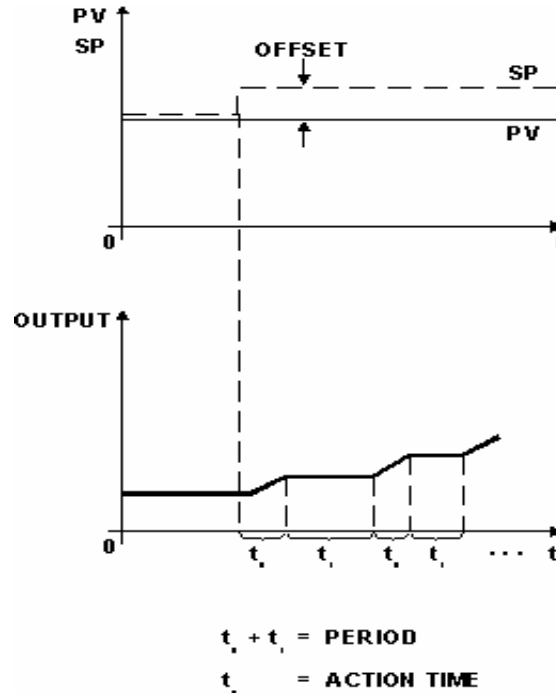
### Description

Selection of the terms (proportional, integral, derivative) calculated on error or process variable.

The control algorithm can be ideal parallel or not iterative (ISA). For each algorithm can choose the terms (proportional, integral, and derivative) calculated on error or process variable by setting the PID\_TYPE parameter. Where:

- PI.D - The P and I terms are calculated based on the error and the D term on the PV.
- PID - The P, I and D terms are calculated based on the error.
- I.PD - The I is calculated based on the error and the P and D terms on the PV.

**PI Sampling algorithm**



The output is calculated based on the PI algorithm during time  $t_0$ . After that, the algorithm stops calculating and it holds the last value during time  $t_a$ . The time  $t_0$  is adjusted by SAMP\_ON, and  $t_a$  by (SAMP\_PER – SAMP\_ON).

If the SAMP\_PER is less than SAMP\_ON or SAMP\_ON is zero, then the algorithm works as an ordinary PI controller.

**Adaptive gain**

The adaptive gain permits to change the algorithm PID terms by a factor obtained in a curve established by CURVE\_X and CURVE\_Y parameters. This curve is based in SP, PV, Error, OUT or another value set in AD\_GAIN\_IN parameter. The algorithm actions that will be changed are defined by the AD\_GAIN\_ACTION parameter. The AD\_GAIN\_IN\_SEL parameter selects the input value to enter into the curve in order to get the adaptive gain.

The CURVE\_X points of the curve are in the same engineering units of the selected variable. The CURVE\_Y points are the adaptive gain. The adaptive gain (G) changes the PID constants GAIN, RESET and RATE to:

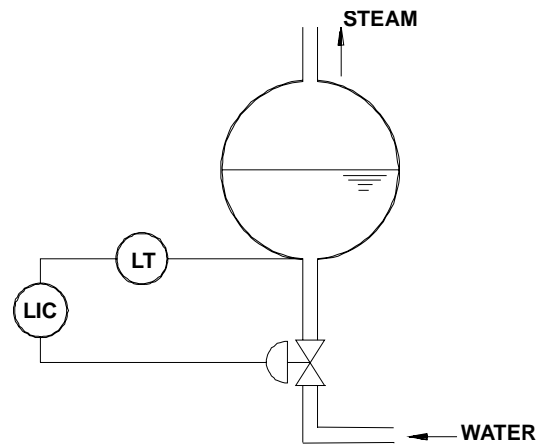
$$\text{GAIN}' = G * \text{GAIN}$$

$$\text{RESET}' = \text{RESET} / G$$

$$\text{RATE}' = G * \text{RATE}$$

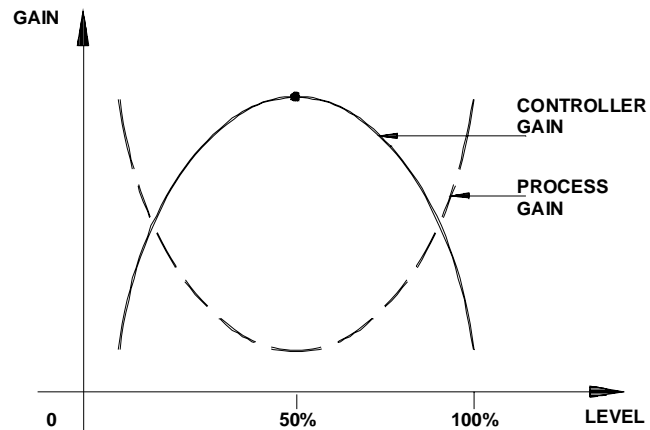
If the curve has less than 20 configured points, the non-configured points shall be set with +INF. The curve must have crescent values in the X axis. Any configuration error will be indicated by the BLOCK\_ALM parameter. If the curve has a configuration error, and thus the adaptive gain value will be the CURVE\_Y corresponding to the highest CURVE\_X point.

If the AD\_GAIN\_IN is selected and it has a bad status, the algorithm uses the last usable value to provide bumpless transfer.



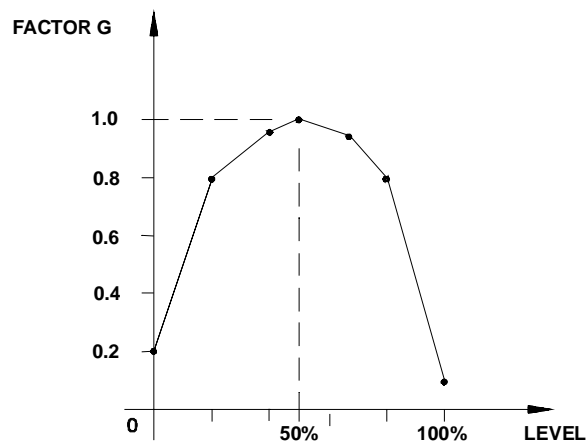
The volume variations are nonlinear with the level variations. The dotted line of figure below shows the volume gain with the level. Note that the volume varies slowly (low gain), around 50% level and varies very fast (high gain) around the level extremes.

The control action must have a gain that is the inverse of the process gain. This is shown by the continuous line of the figure below.



*Process and Controller Gain*

The adaptive gain characteristic can be configured as shown in Fig 4.9.7. This curve can be represented by the following points of Curve 1: (X1 = 0; Y1 = 0.2; X2 = 20; Y2 = 0.8; X3 = 40; Y3 = 0.96; etc.).



*Gain Curve as a Function of PV*

While planning the configuration, observe the following:

1. It is not necessary to use all 13 points of the curve.
2. It is fundamental to use the 0% and the 100% of the determining variable (-100 and +100% for the Error).
3. It is recommendable to program the variable up to 102%, since the variable may be above 100%.
4. Tuning is normally done for  $G = 1$ . In the example, the control becomes slower above or below 50% of the level.

Adaptative Gain is also very useful for pH control.

#### Configurable Limits of anti reset wind-up

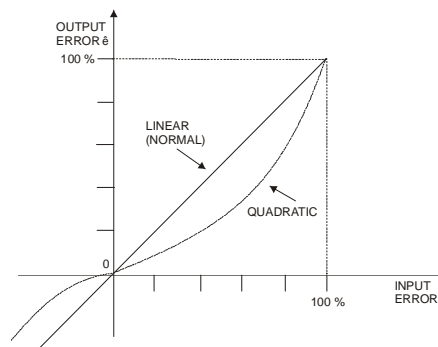
The saturation limits to integral term can be changed by the ARW\_LOW and ARW\_UP parameters. Then the control algorithm stops the integral calculation when the output signal reaches the anti-reset wind-up limits. The proportional and derivative calculations are not affected.

The Anti Reset Wind-up will not be stopped to the output limits, i.e., when the ARW\_UP limit is greater than OUT\_HI\_LIM, the OUT is clamped in the OUT\_HI\_LIM value, but internally the algorithm continue the integral calculation until the ARW\_UP limit. The user can avoid this case configuring the ARW\_UP less or equal to OUT\_HI\_LIM. The same idea applies to the low limit.

#### Special treatment for the error

The treatment of the error in the control process can be chosen by the ERROR\_TYPE parameter. The quadratic error can be applied on only integral term or on all PID terms. In the quadratic error, the considered error for the calculation will be:

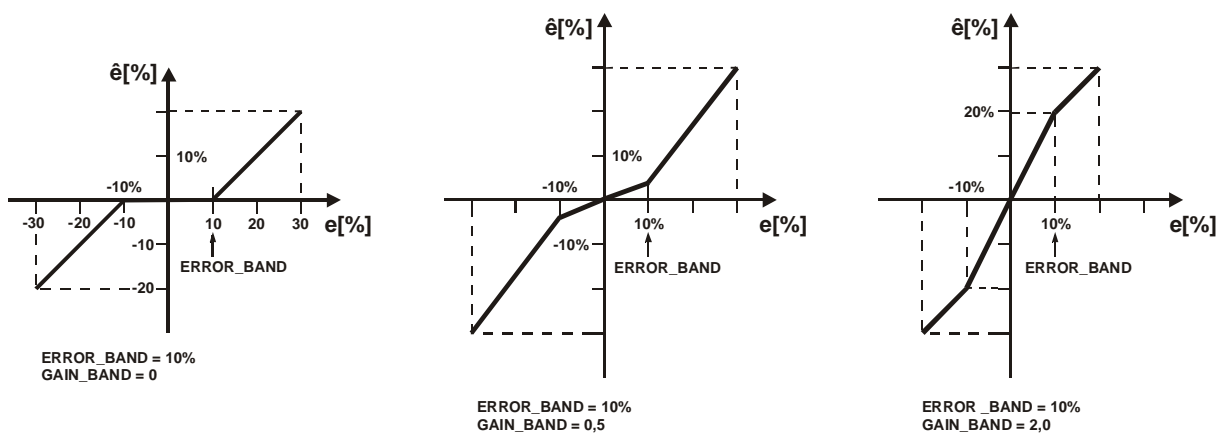
$$\hat{e} = \frac{e^*|e|}{100}$$



In order to use the GAP control to consider the cases where the control is unstable over a band around SP due the dead band of the actuator or due the noise or other things, there is a special gain in the error type.

In order to use the ERROR\_TYPE as special gain it is necessary to define the ERROR\_BAND where it will be applied the special gain GAIN\_BAND parameter on the error. If the ERROR\_BAND is zero the algorithm will not apply the special gain.





### Mode indication

The MODE\_IND parameter is used to configure which mode(s) types in the actual mode will be indicated by a TRUE value in the discrete output MODE\_OUT. If more than one mode type is chosen, then it will be used an OR logic.

### Working as a standard PID

If the additional parameters of APID block is configured with the default values, then it works as the standard PID block.

### BLOCK\_ERR

The BLOCK\_ERR will reflect the following causes:

- Block Configuration Error – the configuration error occurs when the BYPASS or SHED\_OPT parameter has an invalid value or the curve has any of the following problems:
  - CURVE\_X[i] > CURVE\_X[i+1]
  - If the curve is not using **effectively** 20 points and any non-configured point is different from +INFINITY.
- Out of Service – it occurs when the block is in O/S mode.

### Supported modes

O/S, IMAN, LO, MAN, AUTO, CAS, RCAS and ROUT.

### Parameters

| Idx | Parameter      | Data Type (length) | Valid Range/Options                                   | Default Value | Units | Store / Mode | Description   |
|-----|----------------|--------------------|---|---------------|-------|--------------|---|
| 66  | MODE_OUT       | DS-66              |   |               |       | D / RO       | This output parameter indicates if one of selected modes in the parameter "MODE_IND" is the actual mode                                   |
| 67  | MODE_IND       | Bitstring          | Actual mode bitstring                                 | 0             |       | D            | Selection of mode(s) to be indicated in the output parameter "MODE_OUT".  |
| 68  | AD_GAIN_ACTION | Unsigned8          | 0: Disable<br>1: PID<br>2: PI<br>3: P<br>4: I<br>5: D | 0             | E     | S / Man      | It chooses the term(s) of PID algorithm multiplied by the adaptive gain.  |
| 69  | AD_GAIN_IN_SEL | Unsigned8          | 0: SP<br>1: PV<br>2: Error<br>3: OUT<br>4: AD_GAIN_IN | 0             | E     | S / Man      | It selects the input to enter into the curve in order to get the adaptive gain. The option Error may be selected if ERROR_TYPE is Normal. |
| 70  | AD_GAIN_IN     | DS-65              |   |               |       | D            | Input parameter to enter into the curve in order to get the adaptive gain.  |

| Idx | Parameter     | Data Type (length) | Valid Range/ Options   | Default Value | Units                                     | Store / Mode | Description  |
|-----|---------------|--------------------|--|---------------|---|--------------|--|
| 71  | CURVE_X       | 20 Floats          |  | 0's           | EU of variable selected by AD_GAIN_IN_SEL | S            | Curve input points. The $x_i$ points of the curve are defined by an array of twenty points.  |
| 72  | CURVE_Y       | 20 Floats          |  | 0's           | Na  | S            | Curve output points. The $y_i$ points of the curve are defined by an array of twenty points.   |
| 73  | ERROR_TYPE    | Unsigned8          | 0: Normal<br>1: Quadratic (Integral)<br>2: Quadratic (all terms)<br>3: Special gain  | 0             | E   | S / Man      | Type of error used by the PID algorithm. The options Quadratic and Special gain may be selected if AD_GAIN_IN_SEL is different of Error. |
| 74  | ERROR_BAND    | Float              | 0-300%   | 0             | %   | S            | It is applied a special treatment for error within the "ERROR_BAND".   |
| 75  | GAIN_BAND     | Float              | 0-10   | 0             | Na  | S            | Special gain applied to the error, if it is selected in the ERROR_BAND.  |
| 76  | PID_TYPE      | Unsigned8          | 0:PI.D + ISA<br>1:PID + ISA<br>2:I.PD + ISA<br>3:PI Sampling + ISA<br>4:PI.D + Parallel<br>5:PID + Parallel<br>6:I.PD + Parallel<br>7:PI Sampling+Parallel | 0             | E   | S            | Type of PID algorithm.   |
| 77  | SAMP_ON       | Float              | 0-10800  | 0             | Sec                                       | S            | Time interval of the PID algorithm activity, therefore (SAMP_PER – SAMP_ON) means the hold time.   |
| 78  | SAMP_PER      | Float              | 0-10800  | 0             | Sec                                       | S            | Period of the PI sampling algorithm.   |
| 79  | BUMPLESS_TYPE | Unsigned8          | 0: Bumpless<br>1: Last+Proportional<br>2: Bias<br>3: Bias+Proportional   | 0             | E   | S / Man      | This parameter defines the type of transfer from a "manual" mode to an "automatic" mode.   |
| 80  | BIAS          | Float              |  | 0             | OUT                                       | S            | The bias value to use in the PID algorithm when the BUMPLESS type is "Bias" or "Bias+Proportional".                                      |
| 81  | ARW_UP        | Float              |  | + INF         | OUT                                       | S            | High limit for anti reset windup.  |
| 82  | ARW_LOW       | Float              |  | - INF         | OUT                                       | S            | Low limit for anti reset windup.   |
| 83  | PID_OPTS      | Bitstring(2)       |  | 0             |   | S / O/S      | A bit string for handling the additional characteristics of the output tracking.   |

Legend: E – Enumerated parameter; Na – Adimensional parameter; RO – Read only; D – dynamic; N – non-volatile; S - static

Gray Background Line: Default Parameters of Syscon

## ARTH - Arithmetic

### Description

The ARTH block is intended for use in calculating measurements from combinations of signals from sensors. It is not intended to be used in a control path, so it does not support cascades or back calculation. It does no conversions to percent, so scaling is not supported. It has no process alarms.

The block has 5 inputs. The first two are dedicated to a range extension function that results in a PV, with status reflecting the input in use. The remaining three inputs are combined with the PV in a selection of four term math functions that have been found useful in a variety of measurements. The inputs used to form the PV must come from devices with the desired engineering units, so that the PV enters the equation with the right units. Each of the additional inputs has a bias and gain constant. The bias can be used to correct for absolute temperature or pressure. The gain can be used to normalize terms within a square root function. The output also has gain and bias constants for any further adjustment required.

The range extension function has a graduated transfer, controlled by two constants referenced to IN. An internal value,  $g$ , is zero for IN less than RANGE\_LO. It is one when IN is greater than RANGE\_HI. It is interpolated from zero to one over the range of RANGE\_LO to RANGE\_HI. The equation for PV follows:

$$PV = g * IN + (1 - g) * IN\_LO$$

if :

IN < RANGE\_LO or

IN\_LO < RANGE\_HI and status of IN is unusable and status of IN\_LO is usable:

$g = 0$

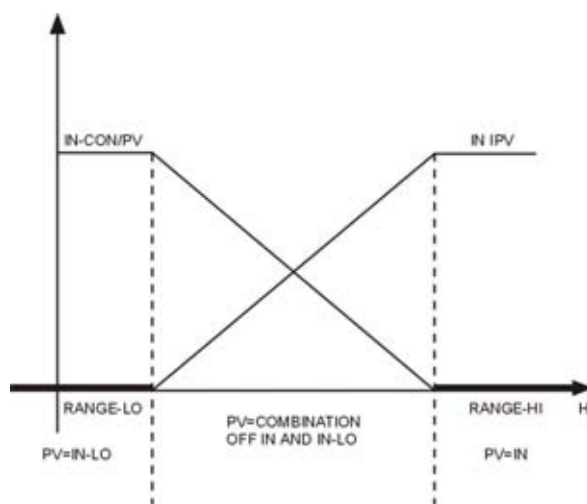
IN > RANGE\_HI or

IN > RANGE\_LO and status of IN is usable and status of IN\_LO is unusable:

$g = 1$

RANGE\_LO ≤ IN ≤ RANGE\_HI:

$$g = \frac{IN - RANGE\_LO}{RANGE\_HI - RANGE\_LO}$$



If the status of IN\_LO is unusable and IN is usable and greater than RANGE\_LO, then  $g$  will be set to one. If the status of IN is unusable, and IN\_LO is usable and less than RANGE\_HI, then  $g$  will be set to zero. In each case the PV will have a status of Good until the condition no longer applies.

Otherwise, the status of IN\_LO is used for the PV if  $g$  is less than 0.5, while IN is used for  $g$  greater than or equal to 0.5.

Six constants are used for the three auxiliary inputs. Each has a BIAS\_IN\_i and a GAIN\_IN\_i. The output has a BIAS and GAIN static constant. For the inputs, the bias is added and the gain is applied to the sum. The result is an internal value called t\_i in the function equations.

$$t_i = (IN_i + BIAS\_IN_i) * GAIN\_IN_i$$

The flow compensation functions have limits on the amount of compensation applied to the PV, to assure graceful degradation if an auxiliary input is unstable.

The following equations have the compensation factor limited to COMP\_HI\_LIM and COMP\_LO\_LIM:

- flow compensation , linear
- flow compensation, square root
- flow compensation, approximate
- BTU flow
- Traditional multiply divide

Arithmetic exceptions :

a) Division by zero will produce a value equals to OUT\_HI\_LIM or OUT\_LO\_LIM, it depends on the sign of PV.

b) Roots of negative numbers will produce the root of the absolute value, with a negative sign.

Although the output is not scaled, it still has absolute high and low limits, to keep the values reasonable.

#### **MINIMUM CONFIGURATION**

RANGE\_HI and RANGE\_LO: If the range extension function is not used, these two parameters must be set to INF. Therefore the PV will be a copy of IN.

If the ARITH\_TYPE is one of five first equations, the COMP\_HI\_LIM and COMP\_LO\_LIM parameters must be set properly. The default value of COMP\_HI\_LIM parameter is zero.

As the default value of GAIN parameter is zero, it is necessary to set a suitable value.

#### **BLOCK\_ERR**

The BLOCK\_ERR of the Arithmetic block will reflect the following causes:

- Block Configuration Error – the configuration error occurs when the ARITH\_TYPE has an invalid value;
- Out of Service – When the block is in O/S mode.

#### **Supported Modes**

O/S, MAN and AUTO.

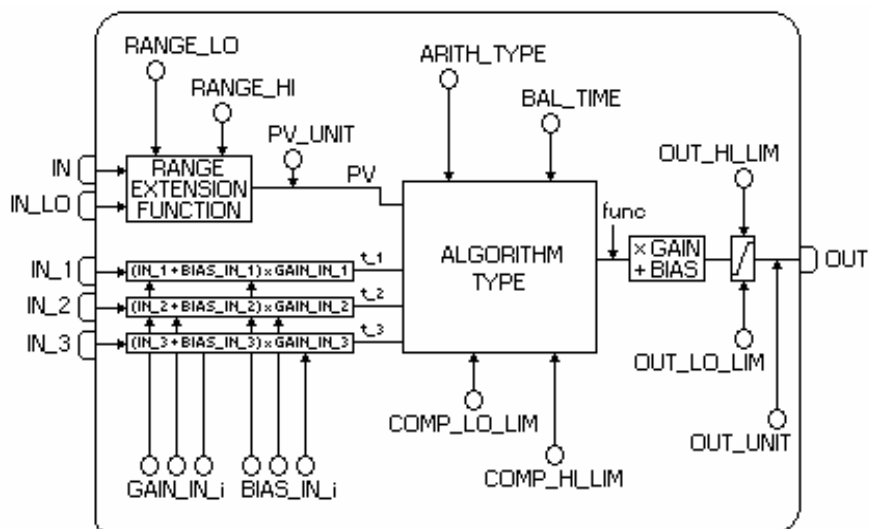
#### **Status Handling**

The status of PV depends on the factor “g”, if it is less than 0.5, then it will be used the status of IN\_LO, and otherwise it will be the status of IN.

The INPUT\_OPTS parameter allows the usage of auxiliary inputs with less than good status. The status of unused inputs is ignored.

The status of the output will be that of the PV, except for when the status of PV is good and the status of a used auxiliary input is not good and INPUT\_OPTS is not configured to use it. In this case, the status of OUT will be Uncertain.

## Schematic



## Parameters

| Idx | Parameter  | Data Type (length) | Valid Range/ Options | Default Value | Units | Store / Mode | Description  |
|-----|------------|--------------------|----------------------|---------------|-------|--------------|--|
| 1   | ST_REV     | Unsigned16         |                      | 0             | None  | S/RO         |  |
| 2   | TAG_DESC   | OctString(32)      |                      | Spaces        | Na    | S            |  |
| 3   | STRATEGY   | Unsigned16         |                      | 0             | None  | S            |  |
| 4   | ALERT_KEY  | Unsigned8          | 1 to 255             | 0             | None  | S            |  |
| 5   | MODE_BLK   | DS-69              |                      | O/S           | Na    | S            | See Mode Parameter.  |
| 6   | BLOCK_ERR  | Bitstring(2)       |                      |               | E     | D / RO       |  |
| 7   | PV         | DS-65              |                      |               | PV    | D / RO       | Process analog value for use in executing the function.  |
| 8   | OUT        | DS-65              | OUT_SCALE +/- 10%    |               | OUT   | D / Man      | The analog value calculated as a result of executing the function.   |
| 9   | PRE_OUT    | DS-65              |                      |               | OUT   | D / RO       | Displays what would be the OUT value and status if the mode was Auto or lower.   |
| 10  | PV_UNITS   | Unsigned16         |                      | 0             | PV    | S            | The engineering units index for display. See Arithmetic block.   |
| 11  | OUT_UNITS  | Unsigned16         |                      | 0             | OUT   | S            | The engineering units of the output for display.   |
| 12  | GRANT_DENY | DS-70              |                      | 0             | na    | D            | Options for controlling access of host computer and local control panels to operating, tuning and alarm parameters of the block. |
| 13  | INPUT_OPTS | Bitstring(2)       |                      | 0             | na    | S / O/S      | Option bit string for handling the status of the auxiliary inputs.   |
| 14  | IN         | DS-65              |                      |               | PV    | D            | The primary input of the block   |
| 15  | IN_LO      | DS-65              |                      |               | PV    | D            | Input for the low range transmitter, in a range extension application.   |
| 16  | IN_1       | DS-65              |                      |               | None  | D            | Numbered input 1.  |
| 17  | IN_2       | DS-65              |                      |               | None  | D            | Numbered input 2.  |
| 18  | IN_3       | DS-65              |                      |               | None  | D            | Numbered input 3.  |
| 19  | RANGE_HI   | Float              |                      | 0             | PV    | S            | Constant value above which the range extension has switched to the high range transmitter.                                       |
| 20  | RANGE_LO   | Float              |                      | 0             | PV    | S            | Constant value below which the range extension has switched to the low range transmitter.  |
| 21  | BIAS_IN_1  | Float              |                      | 0             | None  | S            | The constant to be added to IN_1.  |
| 22  | GAIN_IN_1  | Float              |                      | 0             | None  | S            | The constant to be multiplied times (IN_1 + bias).   |

| Idx | Parameter   | Data Type (length) | Valid Range/ Options  | Default Value | Units | Store / Mode | Description  |
|-----|-------------|--------------------|---|---------------|-------|--------------|--|
| 23  | BIAS_IN_2   | Float              |   | 0             | None  | S            | The constant to be added to IN_2.  |
| 24  | GAIN_IN_2   | Float              |   | 0             | None  | S            | The constant to be multiplied times (IN_2 + bias).   |
| 25  | BIAS_IN_3   | Float              |   |               | None  | S            | The constant to be added to IN_3.  |
| 26  | GAIN_IN_3   | Float              |   | 0             | None  | S            | The constant to be multiplied times (IN_3 + bias).   |
| 27  | COMP_HI_LIM | Float              |   | 0             | None  | S            | The high limit imposed on the PV compensation term.  |
| 28  | COMP_LO_LIM | Float              |   | 0             | None  | S            | The low limit imposed on the PV compensation term.   |
| 29  | ARITH_TYPE  | Unsigned8          | 1= Flow comp. linear<br>2= Flow comp. square root<br>3= Flow comp. approx.<br>4= BTU flow<br>5= Traditional mult. div.<br>6= Average<br>7= Traditional summer<br>8= Fourth order polynomial<br>9= HTG comp. level | 0             | E     | S            | The identification number of the arithmetic algorithm.   |
| 30  | BAL_TIME    | Float              | Positive  | 0             | Sec   | S            | This specifies the time for the internal working value of bias or ratio to return to the operator set bias or ratio, in seconds.<br>In the PID block, it may be used to specify the time constant at which the integral term will move to obtain balance when the output is limited and the mode is Auto, Cas, or RCas.  |
| 31  | BIAS        | Float              |   | 0             | OUT   | S            | The bias value used in computing the function block output, expressed in engineering units.  |
| 32  | GAIN        | Float              |   | 0             | None  | S            | Dimensionless value used by the block algorithm in calculating the block output.   |
| 33  | OUT_HI_LIM  | Float              |   | 100           | OUT   | S            | Limits the maximum output value.   |
| 34  | OUT_LO_LIM  | Float              |   | 0             | OUT   | S            | Limits the minimum output value  |
| 35  | UPDATE_EVT  | DS-73              |   |               | Na    | D            | This alert is generated by any change to the static data.  |
| 36  | BLOCK_ALM   | DS-72              |   |               | Na    | D            | The block alarm is used for all configuration, hardware, connection failure or system problems in the block. The cause of the alert is entered in the subcode field. The first alert to become active will set the Active status in the Status attribute. As soon as the Unreported status is cleared by the alert reporting task, another block alert may be reported without clearing the Active status, if the subcode has changed. |

Legend: E – Enumerated parameter; Na – Adimensional parameter; RO – Read only; D – dynamic; N – non-volatile; S - static

Gray Background Line: Default Parameters of Syscon

**If DIAG.BEHAVIOR parameter is “Adapted”:**

The default value of ARITH\_TYPE is the Gas flow compensation for linear transmitters, equation type 1.

The required mode for writing is the actual mode, regardless the target mode : OUT

## Equation Types

| ARITH<br>TYPE                        | Equation   |
|--------------------------------------|--|
| 1<br>Flow<br>comp.<br>Linear         | $OUT = PV * f * GAIN + BIAS$<br>where $f = \left[ \frac{T1}{T2} \right]$ is limited  |
| 2<br>Flow<br>comp.<br>Square<br>root | $OUT = PV * f * GAIN + BIAS$<br>where $f = \left[ \sqrt{\frac{T1}{T2 * T3}} \right]$ is limited                                      |
| 3<br>Flow<br>comp.<br>Approx.        | $OUT = PV * f * GAIN + BIAS$<br>where $f = \left[ \sqrt{T1 * T2 * T3^2} \right]$ is limited  |
| 4<br>BTU flow                        | $OUT = PV * f * GAIN + BIAS$<br>where $f = [T1 - T2]$ is limited   |
| 5<br>Traditional<br>mult. div.       | $OUT = PV * f * GAIN + BIAS$<br>where $f = \left[ \frac{T1}{T2} + T3 \right]$ is limited   |
| 6<br>Average                         | $OUT = \frac{PV + T1 + T2 + T3}{f} * GAIN + BIAS$<br>Where f is number of inputs used in computation (unusable inputs are not used). |
| 7<br>Traditional<br>summer           | $OUT = (PV + T1 + T2 + T3) * GAIN + BIAS$  |
| 8<br>Fourth<br>order<br>polynomial   | $OUT = (PV + T1^2 + T2^3 + T3^4) * GAIN + BIAS$  |
| 9<br>HTG<br>comp.<br>Level           | $OUT = \frac{PV - T1}{PV - T2} * GAIN + BIAS$  |

Examples

| ARITH_TYPE | Example  | Example equation   | Note  |
|------------|--|--|---|
| 1          | Gas flow compensation for linear transmitters (e.g. turbine) | $Q_b = Q_f * K * \frac{P}{T}$  |   |
| 2          | Gas flow compensation For DP transmitters.                   | $Q_b = Q_f * K * \sqrt{\frac{P}{T * Z}}$   | Z may be constant or an input from other block (AGA3) |
| 3          | Approx. liquid & steam flow comp.                            | $Q_b = Q_f * K * \sqrt{(K + K * T + K * T^2)}$<br>$Q_b = Q_f * K * \sqrt{(K + K * P)}$ | Temperature connected to 3 and 4                      |
| 4          | BTU meter (heat flow)  | $Q_{HEAT} = K * Q_{VOL} * (t_1 - t_2)$   |   |
| 5          | Simple "hard" (non-cascade) ratio                            | $Q_{SP} = Q_{WILD} * RATIO$  | output is setpoint to PID block                       |
| 6          | Average of four temperature measurements                     | $t_a = \frac{t_1 + t_2 + t_3 + t_4}{f}$  |   |
| 7          | Difference in pressure (or level)                            | $P_{bm} = P_b - P_m$   |   |
| 9          | Simple HTG compensated level                                 | $h_{BT} = \frac{P_B - P_T}{P_B - P_M} * h_{BM}$  |   |

**NOTE:** Square root of the third power may be achieved by selecting ARITH\_TYPE = 3 and connecting input to IN and IN\_1. Square root of the fifth power may likewise be achieved by connecting the input to IN, IN\_1 and IN\_3.



## SPLT-Splitter

### Description

The splitter block provides the capability to drive multiple outputs from a single input, usually a PID. This block would normally be used in split ranging or sequencing of multiple valve applications. Included in the block features are the capability to open valves as part of a predetermined schedule and leave open or closed a given valve after the controller has transitioned off the valve. The splitter supports two outputs. Since this block will participate in the control path after a PID block, back calculation support is included.

The application(s) targeted for the splitter block would be a single output from a controller which is used to control up to two valves in either split ranging fashion or as sequenced operation. Split ranging is that application where two valves are used such as a reactor where heating and cooling must be applied by the same controller. The controller action, direct or reversing, is implicitly reversed owing to the change in slope of the function as the input increases or decreases. Sequencing as applied to this document is when two or more valves are used to manipulate the flow of some material and the controller action is not reversed implicitly or otherwise. An example is pH control where added valves are required to increase the loop rangeability.

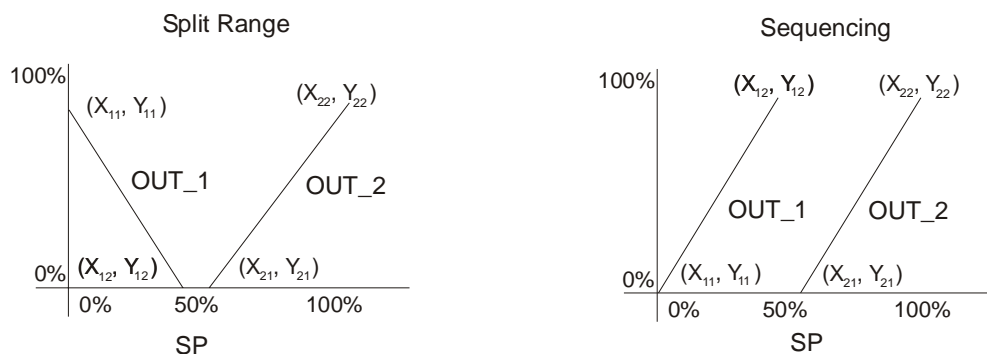
The following parameters are used to specify the signal splitter operation:

X11, Y11 X12, Y12

X21, Y21 X22, Y22

Where  $X_{nJ}$  is the value of CAS\_IN associated with OUT\_n and  $X_{n1}$  and  $X_{n2}$  refers to the 1st and 2nd coordinates respectively. The Y values are defined in the same way.

A graphical representation of the splitter vs. controller output is shown below. Both a Split range and Sequencing application are shown.

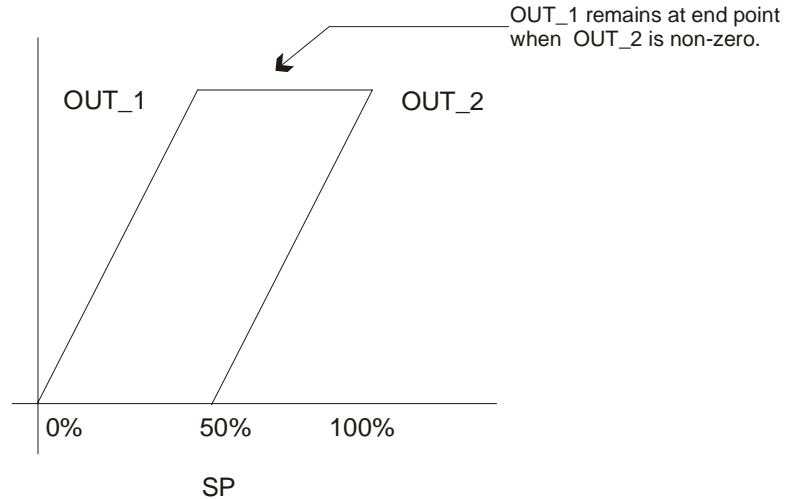


| IN_ARRAY        | OUT_ARRAY       |
|-----------------|-----------------|
| X <sub>11</sub> | Y <sub>11</sub> |
| X <sub>12</sub> | Y <sub>12</sub> |
| X <sub>21</sub> | Y <sub>21</sub> |
| X <sub>22</sub> | Y <sub>22</sub> |

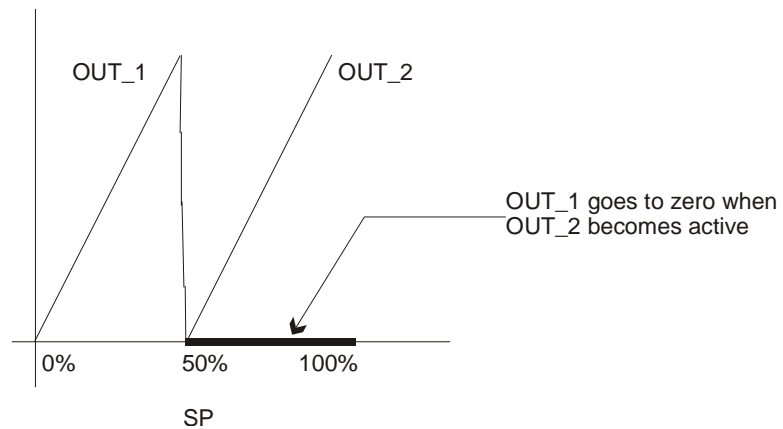
By specifying the coordinates as shown above the endpoints of the lines are defined. The contents of the respective X's and Y's are held in IN\_ARRAY and OUT\_ARRAY parameters. If a set of points is specified such that a region of the input range is not specified then the block will interpolate to the endpoint of the input value, either high or low.

The parameter LOCKVAL provides an option to specify whether OUT\_1 remains at its ending level when control is switched to OUT\_2, or goes to zero. If LOCKVAL is true, OUT\_1 remains at its current value when OUT\_2 is non-zero. If LOCKVAL is false then as soon as the OUT\_2 becomes non-zero then OUT\_1 goes to zero. The parameter OUT\_1 will be the initial value if LOCKVAL = FALSE and the parameter OUT\_ARRAY must be "Sequencing".

In the situation below, LOCKVAL = TRUE.



In the situation below, LOCKVAL = FALSE.



Additionally, the parameter LOCK\_VAL = "SP on Cas Restart" does the return output BKCAL\_OUT for the upper block uses the SP value instead of the BKCAL\_IN in the cascade initialization.

### Supported Modes

O/S, IMAN, Auto and Cas.

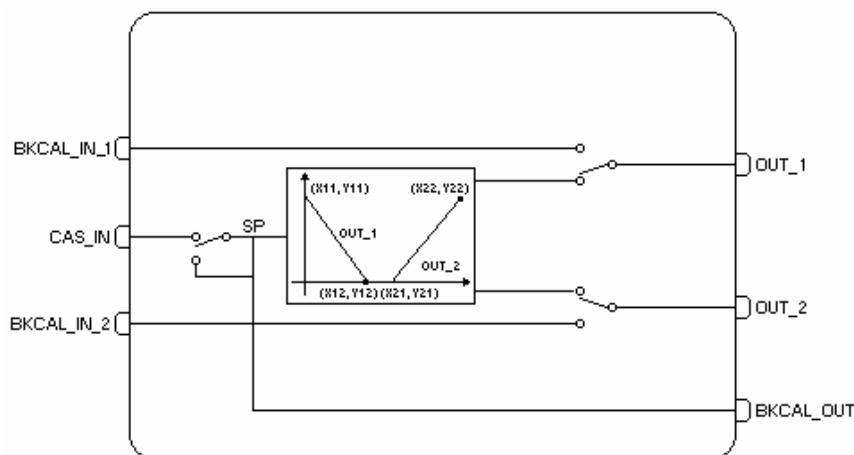
### Status Handling

Sub-status values received at CAS\_IN will be passed to both outputs, except for those used in the cascade handshake. **An IFS will go to both the active and the inactive outputs.** The back calculation status will only come from the active output. An output held by LOCKVAL is not active. Limit status must be inverted if the slope of the active output is negative. No limits are sent back on BKCAL\_OUT if neither output is active.

| Actual mode | BKCAL_IN_1 | BKCAL_IN_2 | BKCAL_OUT | ACTION  |
|-------------|------------|------------|-----------|---|
| Iman        | NI         | NI         | NI        | BKCAL_OUT limited high and low to $(X12 + X21)/2$   |
| Auto or Cas | NI         | OK         | OK        | BKCAL_OUT limited to X21 low and X22 high           |
| Auto or Cas | OK         | NI         | OK        | BKCAL_OUT limited to X11 low and X12 high           |
| Iman        | IR         | NI         | IR        | Initialize cascade to value given by curve X1 vs Y1 |
| Auto or Cas | IR         | OK         | OK        | Initialize OUT_1 using internal offset from Y1      |
| Iman        | NI         | IR         | IR        | Initialize cascade to value given by curve X2 vs Y2 |
| Auto or Cas | OK         | IR         | OK        | Initialize OUT_2 using internal offset from Y2      |

Legend: NI-not invited; IR-initialization request; OK-working in cascade

### Schematic



### Parameters

| Idx | Parameter   | Data Type (length) | Valid Range/ Options | Default Value | Units | Store / Mode | Description  |
|-----|-------------|--------------------|----------------------|---------------|-------|--------------|--|
| 1   | ST_REV      | Unsigned16         |                      | 0             | None  | S/RO         |  |
| 2   | TAG_DESC    | OctString(32)      |                      | Spaces        | Na    | S            |  |
| 3   | STRATEGY    | Unsigned16         |                      | 0             | None  | S            |  |
| 4   | ALERT_KEY   | Unsigned8          | 1 to 255             | 0             | None  | S            |  |
| 5   | MODE_BLK    | DS-69              |                      | O/S           | Na    | S            | See Mode Parameter.  |
| 6   | BLOCK_ERR   | Bitstring(2)       |                      |               | E     | D/RO         |  |
| 7   | SP          | DS-65              |                      |               |       | N / Auto     | The analog set point.  |
| 8   | OUT_1       | DS-65              |                      |               | OUT1  | D / RO       | Numbered output parameter 1.   |
| 9   | OUT_2       | DS-65              |                      |               | OUT2  | D / RO       | Numbered output parameter 2.   |
| 10  | OUT_1_UNITS | Unsigned16         |                      | 0             | E     | S            | The units code for the corresponding output.   |
| 11  | OUT_2_UNITS | Unsigned16         |                      | 0             | E     | S            | The units code for the corresponding output.   |
| 12  | GRANT_DENY  | DS-70              |                      | 0             | Na    | S / O/S      | Options for controlling access of host computer and local control panels to operating, tuning and alarm parameters of the block. |
| 13  | STATUS_OPTS | Bitstring(2)       |                      | 0             | Na    | S            | Options which the user may select in the block processing of status.   |
| 14  | CAS_IN      | DS-65              |                      |               |       | D            | This parameter is the remote setpoint value, which must come from another Fieldbus block, or a DCS block through a defined link. |

| Idx | Parameter  | Data Type (length) | Valid Range/ Options   | Default Value | Units | Store / Mode | Description  |
|-----|------------|--------------------|--|---------------|-------|--------------|--|
| 15  | BKCAL_OUT  | DS-65              |  |               |       | D / RO       | The value and status required by an upper block's BKCAL_IN so that the upper block may prevent reset windup and provide bumpless transfer to closed loop control.  |
| 16  | IN_ARRAY   | 4 Floats           |  | 0's           |       | S            | An array which contains the values of the input or X variables.  |
| 17  | OUT_ARRAY  | 4 Floats           |  | 0's           |       | S            | An array which contains the values of the output or Y variables.   |
| 18  | LOCKVAL    | Unsigned8          | 0:FALSE<br>1:TRUE<br>2- SP on Cas restart<br>3- Lock & SP On cas restart | FALSE         | E     | S            | Flag for holding the first output at current value when the other output is non-zero.<br>It also allowed BKCAL_OUT receives SP or BKCAL_IN in the cascade initialization.  |
| 19  | BKCAL_IN_1 | DS-65              |  |               |       | N            | The back calculated input required to initialize a lower cascade 1.  |
| 20  | BKCAL_IN_2 | DS-65              |  |               |       | N            | The back calculated input required to initialize a lower cascade 2.  |
| 21  | BAL_TIME   | Float              |  | 0             | Sec   | S            | This specifies the time for the internal working value of bias or ratio to return to the operator set bias or ratio, in seconds.   |
| 22  | UPDATE_EVT | DS-73              |  |               | na    | D            | This alert is generated by any change to the static data.  |
| 23  | BLOCK_ALM  | DS-72              |  |               | na    | D            | The block alarm is used for all configuration, hardware, connection failure or system problems in the block. The cause of the alert is entered in the subcode field. The first alert to become active will set the Active status in the Status attribute. As soon as the Unreported status is cleared by the alert reporting task, another block alert may be reported without clearing the Active status, if the subcode has changed. |

Legend: E – Enumerated parameter; Na – Adimensional parameter; RO – Read only; D – dynamic; N – non-volatile; S - static

Gray Background Line: Default Parameters of Syscon

**If DIAG.BEHAVIOR parameter is “Adapted”:**

The required mode for writing is the actual mode, regardless the target mode: SP

## CHAR - Signal Characterizer

### Description

The signal characterizer block has two sections, each with an output that is a non-linear function of the respective inputs. The function is determined by a single look-up table with x-y coordinates of twenty points each. The status of input is copied to the corresponding output, so the block may be used in the control or process signal path. An option can swap the axes of the function for section 2, so that it can be used in the backward control path.

The block interpolates correlates the input IN\_1 to the output OUT\_1 and the input IN\_2 to the output OUT\_2 according to a curve given by the points:

$$[X_1 ; Y_1 ], [X_2 ; Y_2 ] \dots \dots \dots [X_{20} ; Y_{20} ]$$

where x corresponds to the Input and y to the Output. The x-coordinates are given in engineering units of the input. The y-coordinates are given in engineering units of the output.

### How to configure not used points

If the curve has m points,  $m < 20$ , the non-configured points,  $[X_{m+1}; Y_{m+1}]$ ,  $[X_{m+2}; Y_{m+2}]$ , ...  $[X_{20}; Y_{20}]$  shall be set with +INFINITY.

### Working with more than One Characterizer Block in Series

When the application needs more than the limit of a CHAR block (more than 20 points in the curve), it can use many CHAR blocks in series. To do this, it is necessary to configure in the SWAP\_2 parameter:

- Indicate which is the first, the intermediate blocks and the last block of the CHAR series. Thus, the input parameters will be limited by the lower X value of the curve indicated by FIRST (Low Limit) and the upper X value of the curve indicated by LAST (High Limit).
- If the SWAP was used, thus all the curve blocks must be defined with "Swap & xxxx" (SWAP & FIRST, SWAP & INTERMEDIATE, SWAP & LAST).
- The first, intermediate and last values are for the two inputs: IN\_1 and IN\_2.
- When the SWAP\_2 value is equal 0 – No Swap or 1 – Swap, the block will work as "Alone", that is, as not supporting CHAR blocks in series.

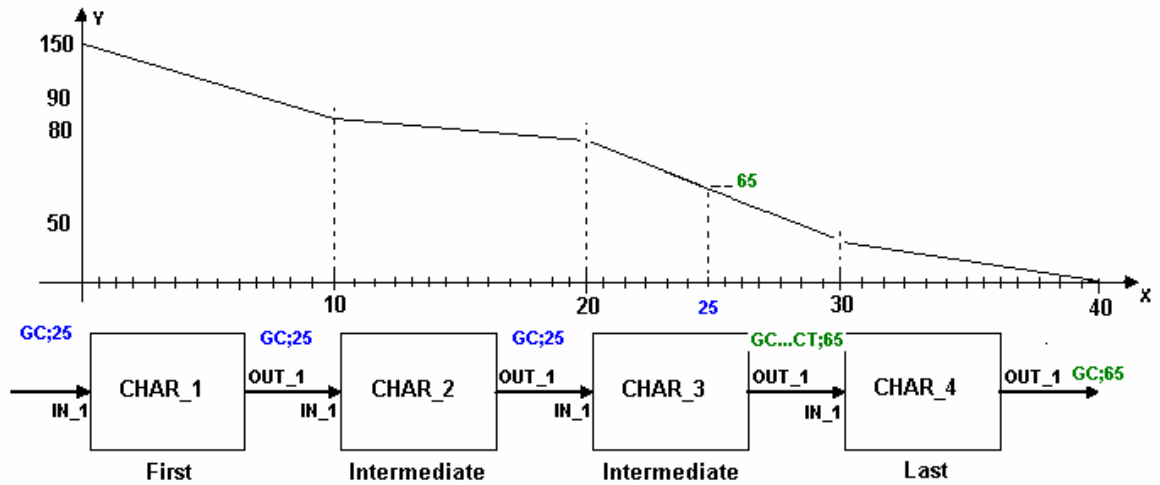
To work in series, the CURVE\_X parameter must be always crescent in relation to the points inside the block and also in relation to the other blocks of the CHAR cascade. For example, the order of the block configuration of the example below must be followed:

1. CHAR1 – Swap\_2 = "First".
2. CHAR2 – Swap\_2 = "Intermediate"
3. CHAR3 – Swap\_2 = "Intermediate"
4. CHAR4 – Swap\_2 = "Last"

If the order was not followed correctly, the blocks will not indicate configuration error, but the algorithm will not work correctly.

The status limit "**Constant**" will be used between the CHAR blocks to indicate the value was "Resolved" by the block. At the end, the Status Limit will be "**Not Limited**" (even the curve was limited the status limit will not used).

In the following example, the application needs 80 points to be configured. In this case is necessary to use four CHAR blocks. It considers the input value for the first block (CHAR\_1) is 25. The value is repassed for the CHAR\_1 and CHAR\_2 blocks because the input value is out of the curve limits of these blocks. The value is "resolved" by the CHAR\_3 block that repasses the Y correspondent value for the following block, as well the "Constant" Status Limit. Thus, the following blocks (CHAR\_4 in the example), when check the input with "Constant" limit, know the value was already "resolved" and repass it for the output.



The Cascade Swap is supported, since the curve was monotonic in the whole extension. The check if the curve is monotonic for all cascade blocks does not exist, thus if the curve was not monotonic, the result will be the first Y value found.

### BLOCK\_ERR

The BLOCK\_ERR will reflect the following causes:

- Block Configuration Error – the configuration error occurs when the BYPASS parameter has an invalid value or the curve has any of the following problems:
  - $CURVE\_X[i] > CURVE\_X[i+1]$
  - If the curve is not using **effectively** 20 points and any non-configured point is different from +INFINITY.
  - If SWAP\_2 is true and the curve is not monotonic.
- Out of Service – it occurs when the block is in O/S mode.

### Supported Modes

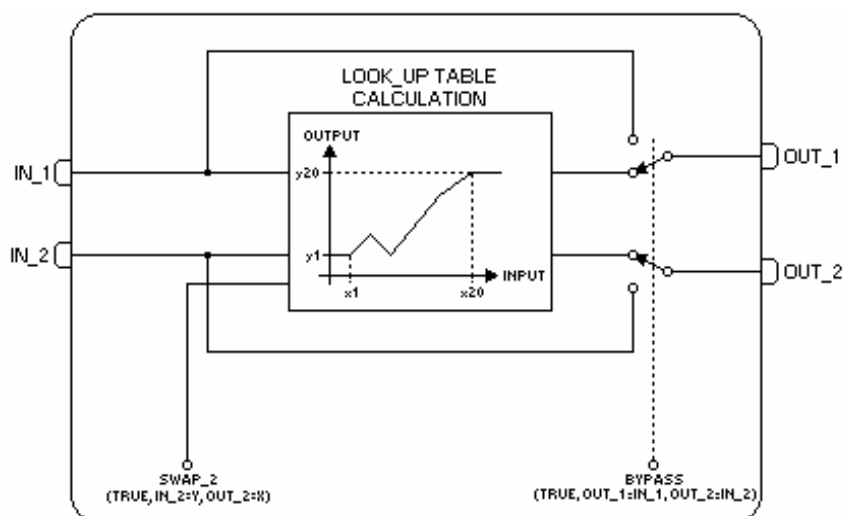
O/S and AUTO.

### Status Handling

The quality and sub-status of OUT\_1 and OUT\_2 reflect the status of IN\_1 and IN\_2, respectively. If one of the curve limits is reached, the appropriate limit is indicated. Limits are reversed if the curve slope is negative.

The status of output will be Bad – Configuration Error if there is an error as indicated in the BLOCK\_ERR parameter.

## Schematic



## Parameters

| Idx | Parameter    | Data Type (length) | Valid Range/Options | Default Value | Units  | Store / Mode | Description  |
|-----|--------------|--------------------|---------------------|---------------|--------|--------------|--|
| 1   | ST_REV       | Unsigned16         |                     | 0             | None   | S/RO         |  |
| 2   | TAG_DESC     | OctString(32)      |                     | Spaces        | Na     | S            |  |
| 3   | STRATEGY     | Unsigned16         |                     | 0             | None   | S            |  |
| 4   | ALERT_KEY    | Unsigned8          | 1 to 255            | 0             | None   | S            |  |
| 5   | MODE_BLK     | DS-69              |                     | O/S           | Na     | S            | See Mode Parameter   |
| 6   | BLOCK_ERR    | Bitstring(2)       |                     |               | E      | D/RO         |  |
| 7   | OUT1         | DS-65              |                     |               | Y      | D / RO       | Numbered output parameter 1.<br>The interpolation result of IN_1.  |
| 8   | OUT2         | DS-65              |                     |               | X or Y | D / RO       | Numbered output parameter 2.<br>The interpolation result of IN_2.  |
| 9   | X_UNITS      | Unsigned16         |                     |               | E      | S            | The engineering unit of the variables corresponding to the x-axis for display.   |
| 10  | Y_UNITS      | Unsigned16         |                     |               | E      | S            | The engineering unit of the variables corresponding to the y-axis for display.   |
| 11  | GRANT_DENY   | DS-70              |                     | 0             | Na     | D            | Options for controlling access of host computer and local control panels to operating, tuning and alarm parameters of the block. |
| 12  | CONTROL_OPTS | Bitstring(2)       | See Block Options   | 0             | Na     | S / O/S      | See Block Options  |
| 13  | IN_1         | DS-65              |                     |               |        | D            | Numbered input parameter 1.  |
| 14  | IN_2         | DS-65              |                     |               |        | D            | Numbered input parameter 2.  |
| 15  | BYPASS       | Unsigned8          | 1:Off<br>2:On       | 0             | E      | S / Man      | When bypass is set, the input value will be directly transferred to the output.  |

| Idx | Parameter  | Data Type (length) | Valid Range/ Options   | Default Value | Units | Store / Mode | Description   |
|-----|------------|--------------------|--|---------------|-------|--------------|---|
| 16  | SWAP_2     | Unsigned8          | 0 – False<br>1 – Swap<br>2 – First<br>3 – Intermediate<br>4 – Last<br>5 – Swap & First<br>6 – Swap & Intermediate<br>7 – Swap & Last | 0             | E     | S/O/S        | 0 – False – No Swap e not support cascade of char.<br>1 – Swap – Swap the curve for OUT_2 e not support cascade of char.<br>2 – First – No swap and the block is the first block of the curve.<br>3 – Intermediate – No swap and the block is an intermediate block in the curve<br>4 – Last - No swap and the block is the last block in the curve.<br>5 – Swap & First – Swap the curve for OUT_2 and is the first block of the curve.<br>6 – Swap & Intermediate- Swap the curve for OUT_2 and an intermediate block of the curve.<br>7 – Swap & Last - Swap the curve for OUT_2 and the block is the last block in the curve. |
| 17  | CURVE_X    | 20 Floats          |  | 0's           | X     | S            | <b>Curve input points. The <math>x_i</math> points of the curve are defined by an array of twenty points.</b>   |
| 18  | CURVE_Y    | 20 Floats          |  | 0's           | Y     | S            | <b>Curve output points. The <math>y_i</math> points of the curve are defined by an array of twenty points.</b>  |
| 19  | UPDATE_EVT | DS-73              |  |               | na    | D            | This alert is generated by any change to the static data.   |
| 20  | BLOCK_ALM  | DS-72              |  |               | na    | D            | The block alarm is used for all configuration, hardware, connection failure or system problems in the block. The cause of the alert is entered in the subcode field. The first alert to become active will set the Active status in the Status attribute. As soon as the Unreported status is cleared by the alert reporting task, another block alert may be reported without clearing the Active status, if the subcode has changed.  |

Legend: E – Enumerated parameter; Na – Adimensional parameter; RO – Read only; D – dynamic; N – non-volatile; S - static

Gray Background Line: Default Parameters of Syscon

If DIAG.BEHAVIOR parameter is “Adapted”:

- The default value of BYPASS is Off.
- The default value of all elements of CURVE\_X is +INF.
- The default value of all elements of CURVE\_Y is +INF.



## INTG - Integrator

### Description

The Integrator Function Block integrates a variable in function of the time or accumulates the counting of a Pulse Input block. The integrated or accumulated value is compared to pre-trip and trip limits, generating discrete signals when these limits are reached. The integrated value may go up, starting from zero, or down, starting from the trip value (parameter SP). In order to determine the amount of uncertain or bad readings, the block integrates the variables with bad or bad and uncertain status separately (parameter RTOTAL). The values used in this second integration are the values with good status just before they went from good to bad or uncertain. Featuring two flow inputs, the block can calculate and integrate net flow. This can be used to calculate volume or mass variation in vessels or as an optimizing tool for flow ratio control.

The basic function of the Integrator block is to integrate an analog value over time. It can also accumulate the count pulses coming from Pulse Input blocks or from another Integrator Block. This block is normally used to totalize flow, giving total mass or volume over a certain time, or totalize power, giving the total energy. The algorithm shall comply with the following points:

1) The block has two dual purpose inputs, IN\_1 and IN\_2. Each input can receive a measurement per unit of time (rate) or an accumulated number of pulses. Each input can receive one of the following types of variables:

**RATE** - When the variable connected to the input is a rate, i.e., kg/s, W, Gal/hour, etc. This input can come from, or is derived from the output OUT of a Pulse Input block or from the output of an Analog Input block.

**ACCUM** - When the input comes from the OUT\_ACCUM of a Pulse Input block, which represents a continuous accumulation of pulse counts from a transducer.

2) The input type is configured in the bit string parameter INTEG\_OPTS. The bits corresponding to IN\_1 and IN\_2 can be set as follows:

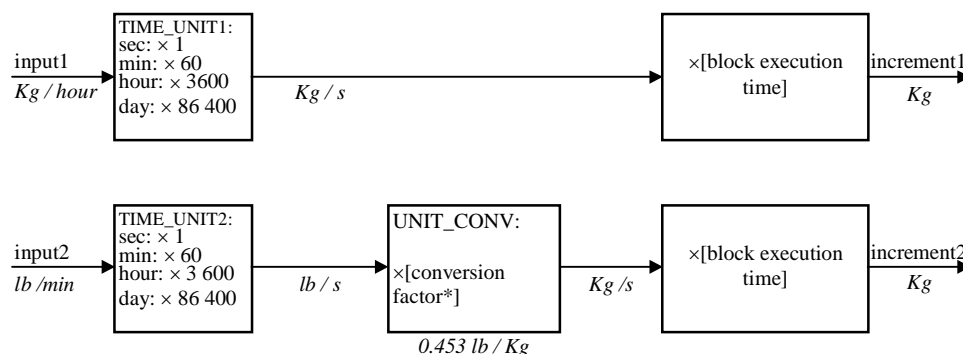
*false* = RATE

*true* = ACCUM

3) Rate inputs:

- Each input needs a parameter to define the rate time unit: [TIME\_UNIT1] or [TIME\_UNIT2]. The time units are used to convert the two rates in units of mass, volume or energy per second.
- The second analog input may have to be converted into the same units of the first input. This is achieved by a unit conversion factor, given by the parameter [UNIT\_CONV].

Each rate, multiplied by the block execution time, gives the mass, volume or energy increment per block execution. This increment will be added or subtracted in a register, according to some rules defined ahead.



**Fig. 1 - Increment calculation with rate input**

4) Counter inputs:

- The counter inputs are originated in Pulse Input blocks. It can also be connected to any floating point variable, as the output of another integrator block. The output ACCUM\_OUT of the Pulse Input block represents a continuous accumulation of pulses from the flow transducer, while the output OUT of an Integrator represents an integration or accumulation of analog inputs.

The Integrator block shall determine the variation of the counter input readings since the last execution.

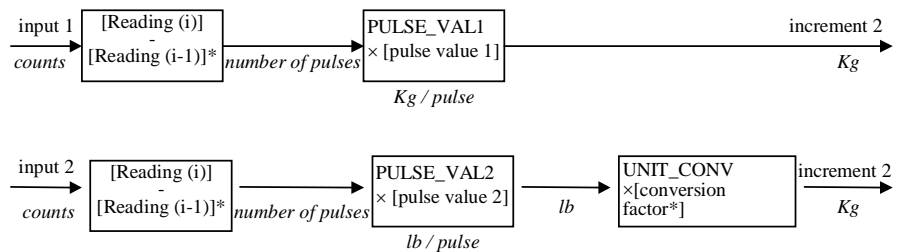
- As the output ACCUM\_OUT of the Pulse Input block wraps up when the counting reaches 999,999 and does not increment or decrement by more than 499,999 per cycle, the variation is determined as follows:

- If the difference between the reading in one cycle and the reading in the preceding cycle is smaller than 500,000 or larger than (-500,000), the difference will be taken as variation.
- If the difference between the reading in one cycle and the reading in the preceding cycle is larger or equal to (+500,000), add (-1.000,000) and use the result as the variation.
- If the difference between the reading in one cycle and the reading in the preceding cycle is smaller or equal to (-500,000), add (+1.000,000) and use the result as the variation.

- If the output OUT of another integrator block is used, that block should be programmed to have only increasing counting.
- The variation of each input must be multiplied by the value, in engineering units, of each pulse given by:

**PULSE\_VAL1 and PULSE\_VAL2.**

The result is the increment in engineering units of, for example, mass, volume or energy per block execution.



**Fig. 2- Increment calculation with counter input**

- In order to distinguish forward and reverse flows, the Integrator block considers a negative sign as an indication of reverse flow. Some flow meters already indicate forward and reverse flows by adding a sign to the measurement value. Others use a separate binary signal.

This signal can be connected to the inputs REV\_FLOW1 and REV\_FLOW2, with the following options:

- 0 = False (not invert signal)
- 1 = True (invert signal)

where True will invert the signal of the IN\_i signal.

- The net flow is obtained by adding the two increments. The net increment will have a positive or negative signal to indicate the net flow direction. In order to integrate the difference between the inflow and outflow of a tank, for example, the second one can be assigned to be negative.

- The net flow direction to be considered in the totalization is defined in INTEG\_OPTS. The following options are available:

FORWARD = only positive flows (after application of REV\_FLOWi ) are totalized. The negative values will be treated as zero. FORWARD is selected when the bit corresponding to Forward is set to true.

REVERSE = only negative flows are totalized. The positive values will be treated as zero. The option bit Reverse must be set to true.

TOTAL= both positive and negative values will be totalized. Both option bits Forward and Reverse must be set to *true* or to *false*.

8) There are two values for the totalization:

TOTAL (OUT) = Where the increments are added every cycle when the inputs have the status *good*, *good* or *uncertain*, or last usable value if *bad*. The status to be considered as usable are defined in INTEG\_OPTS.

RTOTAL = The rejected increments with status not selected by INTEG\_OPTS are added according to some rules described below.

9) The main totalization TOTAL may use inputs with different status, according to a selection established by INTEG\_OPTS:

USE\_UNCERTAIN = Use *good* and *uncertain* inputs when this bit is set to *true*.

USE\_BAD = Use the last *good* or *uncertain* input before it went to *bad* when this bit is set to *true*.

USE\_GOOD = Use *good* inputs when both former bits are set to *false*.

If both bits are set to true, the option USE\_ANY is selected.

10) The increments with status not selected by INTEG\_OPTS are totalized in RTOTAL, according to the following rules:

a) If INTEG\_OPTS has no selection for status, the increments with *uncertain* or *bad* status must be added to RTOTAL. The last value with good status is used in place of the input value with *bad* status.

b) If INTEG\_OPTS has the USE\_UNCERTAIN bit set, only the increments originated by inputs with *bad* input status shall be added to RTOTAL. The last usable value is used in the totalization.

- If INTEG\_OPTS has the USE\_BAD bit set, the last usable value goes to TOTAL and nothing to RTOTAL.

11) TOTAL can be read in the output OUT. The engineering units used in the indication is defined in OUT\_UNITS.

12) The block has a discrete input to reset the integration - RESET\_IN. While this input parameter has value TRUE, the block will be old reset, therefore it will start to integrate only after it goes to FALSE.

The operator can send an operator command to reset the counting by making OP\_CMD\_INT = RESET. The mechanism to reset using this parameter is different from that one used in the RESET\_IN, because a write operation in the OP\_CMD parameter with RESET value will cause a reset, but the block will start to integrate soon after it, despite of the OP\_CMD\_INT remains with RESET.

The integration can start from zero and go up or it can start from a Setpoint value (SP) and go down. The totalization may be reset in different ways. This is defined by the parameter INTEG\_TYPE:

- UP\_AUTO Counts up starting from zero with automatic reset when SP is reached
- UP\_DEM Counts up starting from zero with demand reset
- DN\_AUTO Counts down starting from SP with auto reset when zero is reached
- DN\_DEM Counts down starting from SP with demand reset
- PERIODIC: Counts up and is reset periodically according to CLOCK\_PER
- DEMAND: Counts up and is reset on demand
- PER&DEM: Counts up and is reset periodically or on demand

15) Block takes a snapshot of TOTAL(OUT), RTOTAL and SP prior the reset and keep the information in the registers STOTAL, SRTOTAL and SSP, respectively. The information is kept at least until the next reset.

16) The integrator shall reject reset requests for 5 seconds after a reset. This is to guarantee that the snapshots values are exposed to FIELDBUS before they can be overwritten.

17) When the integration is counting up and it reaches a limit given by the parameter Setpoint - SP - , the discrete output OUT\_TRIP is set.

When the integration is counting down, it starts from a value given by SP. When the counting reaches zero, the discrete output OUT\_TRIP is set.

18) When the integration is counting up and it reaches a limit given by:

### SP - [PRE\_TRIP]

19) The discrete output OUT\_PTRIP is set, when the integration is counting down and it reaches [PRE\_TRIP], the discrete output OUT\_PTRIP is set. OUT\_PTRIP is set until SP or zero is reached.

When the options UP\_AUTO or DN\_AUTO are selected, a residue beyond the trip value may be considered in the next batch if the option CARRY, of INTEG\_OPTS is set. This residue will be “carried” to the next batch by:

- a) Start counting from the residue value, instead of zero, when UP\_AUTO is selected.
- b) Start counting from (SP-Residue) when DN\_AUTO is selected.

20) The number of resets is counted in the register N\_RESET. This counter can not be written or reset.

21) The percentage of rejected counts (RTOTAL) in the whole totalization (TOTAL+RTOTAL) may be determined by calculating the parameter PCT\_INCL as it follows:

$$\text{PCT\_INCL} = \text{TOTAL} / (\text{TOTAL} + \text{RTOTAL})$$

The acceptable limit for *good* status is established by GOOD\_LIM.

The acceptable limit for *uncertain* status is established by UNCERT\_LIM. If

$\text{PCT\_INCL} \geq \text{GOOD\_LIM}$ , the status of OUT will be *good*,  
else, if  $\text{PCT\_INCL} \geq \text{UNCERT\_LIM}$  the status will be *uncertain*,  
else, the status will be *bad*.

### BLOCK\_ERR

The BLOCK\_ERR of the INTG block will reflect the following causes:

- Block Configuration Error – the configuration error occurs when TIME\_UNIT1, TIME\_UNIT2 or INTEG\_TYPE parameters have an invalid value;
- Out of Service – it occurs when the block is in O/S mode.

### Supported Modes

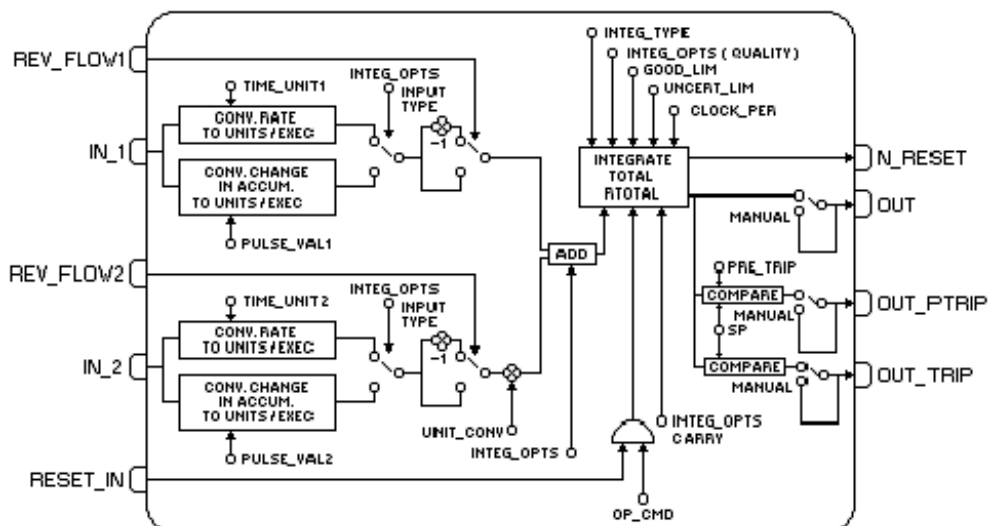
O/S, MAN and AUTO.

### Status

If IN-1 or IN-2 is not connected, it will be ignored. The configuration of INTEG\_OPTS (Use Bad / Uncertain) will be applied to the worst status between IN\_1 and IN\_2. Based on it, the increment will be done in OUT or RTOTAL.

OUT will receive the status determined by GOOD\_LIM and UNCERT\_LIM.

## Schematic



## Parameters

| Idx | Parameter  | Data Type (length) | Valid Range/ Options                        | Default Value | Units  | Store/ Mode | Description  |
|-----|------------|--------------------|---|---------------|--------|-------------|--|
| 1   | ST_REV     | Unsigned16         |   | 0             | None   | S/RO        |  |
| 2   | TAG_DESC   | OctString(32)      |   | Spaces        | Na     | S           |  |
| 3   | STRATEGY   | Unsigned16         |   | 0             | None   | S           |  |
| 4   | ALERT_KEY  | Unsigned8          | 1 to 255                                    | 0             | None   | S           |  |
| 5   | MODE_BLK   | DS-69              |   | O/S           | Na     | S           | See Mode Parameter   |
| 6   | BLOCK_ERR  | Bitstring(2)       |   |               | E      | D / RO      |  |
| 7   | SP         | DS-65              |   |               | OUT    | N / Auto    | The analog set point for trip detection.   |
| 8   | OUT        | DS-65              |   |               | OUT    | N / Man     | The primary analog value calculated as a result of executing the function. It is the result of integration.                      |
| 9   | OUT_UNITS  | Unsigned16         |   | 0             | OUT    | S           | The engineering units of the output for display.   |
| 10  | GRANT_DENY | DS-70              |   | 0             | Na     | D           | Options for controlling access of host computer and local control panels to operating, tuning and alarm parameters of the block. |
| 11  | IN_1       | DS-65              |   | 0             |        | D           | Input parameter for flow 1.  |
| 12  | IN_2       | DS-65              |   | 0             |        | D           | Input parameter for flow 2.  |
| 13  | OUT_TRIP   | DS-66              |   | 0             | On/Off | D           | Output parameter for trip indication.  |
| 14  | OUT_PTRIP  | DS-66              |   | 0             | On/Off | D           | Output parameter for pre-trip indication.  |
| 15  | TIME_UNIT1 | Unsigned8          | 1:seconds<br>2:minutes<br>3:hours<br>4:days | 0             | E      | S           | Converts the rate time units in seconds.   |
| 16  | TIME_UNIT2 | Unsigned8          | 1:seconds<br>2:minutes<br>3:hours<br>4:days | 0             | E      | S           | Converts the rate time units in seconds.   |
| 17  | UNIT_CONV  | Float              |   | 1             | none   | S           | Factor to convert the engineering units of input 2 into the engineering units of input 1.  |

| Idx | Parameter  | Data Type (length) | Valid Range/ Options  | Default Value | Units | Store/ Mode | Description  |
|-----|------------|--------------------|---|---------------|-------|-------------|--|
| 18  | PULSE_VAL1 | Float              |   | 0             | none  | S           | Determines the mass, volume or energy per pulse. It is used only in accum mode.  |
| 19  | PULSE_VAL2 | Float              |   | 0             | none  | S           | Determines the mass, volume or energy per pulse. It is used only in accum mode.  |
| 20  | REV_FLOW1  | DS-66              | 0=FORWARD<br>1=REVERSE  |               | E     | D           | It indicates reverse flow in IN_1 when <i>true</i> .   |
| 21  | REV_FLOW2  | DS-66              | 0=FORWARD<br>1=REVERSE  |               | E     | D           | It indicates reverse flow in IN_2 when <i>true</i> .   |
| 22  | RESET_IN   | DS-66              | 0:Off<br>1:Reset  |               | E     | D           | <b>Resets the totalizer - OUT parameter.</b>   |
| 23  | STOTAL     | Float              |   | 0             | OUT   | D           | Indicates the snapshot of the totalizer - OUT parameter just before a reset.   |
| 24  | RTOTAL     | Float              |   | 0             | OUT   | D           | Indicates the totalization of <i>bad</i> or <i>bad</i> and <i>uncertain</i> inputs, according to INTEG_OPTS.   |
| 25  | SRTOTAL    | Float              |   | 0             | OUT   | D           | The snapshot of RTOTAL just before a reset.  |
| 26  | SSP        | Float              |   | 0             | OUT   | D           | The snapshot of SP.  |
| 27  | INTEG_TYPE | Unsigned8          | 1=UP_AUTO<br>2=UP_DEM<br>3=DN_AUTO<br>4=DN_DEM<br>5=PERIODIC<br>6=DEMAND<br>7=PER&DEM | 0             | E     | S           | <b>Defines the type of counting (up or down) and the type of resetting (demand or periodic)</b>  |
| 28  | INTEG_OPTS | Bitstring(2)       |   |               | none  | S           | <b>A bit string to configure the type of input (rate or accum.) used in each input, the flow direction to be considered in the totalization, the status to be considered in TOTAL and if the totalization residue shall be used in the next batch (only when INTEG_TYPE = UP_AUTO or DN_AUTO).</b> |
| 29  | CLOCK_PER  | Float              |   | 0             | Sec   | S           | Establishes the period for periodic reset, in seconds.   |
| 30  | PRE_TRIP   | Float              |   | 0             | OUT   | S           | Adjusts the amount of mass, volume or energy that will set OUT_PTRIP when the integration reaches (SP-PRE_TRIP) when counting up or PRE_TRIP when counting down.   |
| 31  | N_RESET    | DS-65              |   |               | none  | N / RO      | Counts the number of resets. It can not be written on nor reset.   |
| 32  | PCT_INCL   | Float              |   |               | %     | D / RO      | Indicates the percentage of inputs with <i>good</i> stati compared to the ones with <i>bad</i> or <i>uncertain</i> and <i>bad</i> stati.   |
| 33  | GOOD_LIM   | Float              | 0 to 100%   | 0.1           | %     | S           | Sets the limit for PCT_INCL. Below this limit OUT receives the status <i>good</i> .  |
| 34  | UNCERT_LIM | Float              | 0 to 100%   | 0.2           | %     | S           | Sets the limit for PCT_INCL. Below this limit OUT receives the status <i>uncertain</i> .   |
| 35  | OP_CMD_INT | Unsigned8          | 0=Undefined<br>1=Reset  |               | E     | D           | <b>Operator command. RESET. Resets the totalizer.</b>  |
| 36  | OUTAGE_LIM | Float              | Positive  | 0             | Sec   | S           | The maximum tolerated duration for power failure. This feature is not supported.   |
| 37  | UPDATE_EVT | DS-73              |   |               | na    | D           | This alert is generated by any change to the static data.  |

| Idx | Parameter | Data Type<br>(length) | Valid Range/<br>Options | Default<br>Value | Units | Store/<br>Mode | Description  |
|-----|-----------|-----------------------|-------------------------|------------------|-------|----------------|--|
| 38  | BLOCK_ALM | DS-72                 |                         |                  | na    | D              | The block alarm is used for all configuration, hardware, connection failure or system problems in the block. The cause of the alert is entered in the subcode field. The first alert to become active will set the Active status in the Status attribute. As soon as the Unreported status is cleared by the alert reporting task, another block alert may be reported without clearing the Active status, if the subcode has changed. |

**Legend:** E – Enumerated parameter; Na – Adimensional parameter; RO – Read only; D – dynamic; N – non-volatile; S - static

**Gray Background Line:** Default Parameters of Syscon

**If DIAG.BEHAVIOR parameter is “Adapted”:**

The default value of TIME\_UNIT1 is seconds.

The default value of TIME\_UNIT2 is seconds.

The default value of INTEG\_TYPE is UP\_DEM.

The required mode for writing is the actual mode, regardless the target mode: SP and OUT.

## AALM - Analog Alarm

### Description

The Analog Alarm Block provides alarm condition reporting on an analog output of any block. Alarm conditions include high, high-high, low, and low-low alarms. These limits are computed based on gains and biases from a process setpoint input, thus providing dynamic deviation alarming. An option to temporarily expand alarm limits after a setpoint change is provided. Also, an alarm condition may be ignored for a specified period of time to avoid nuisance alarm reporting.

The input value, IN, is filtered according to the PV\_FTIME time-constant, to become PV. PV is then alarmed in the *auto* mode.

Alarm limits may be dynamically calculated from process setpoint (PSP). The operating limits (same parameter names as limits, but suffixed with an "X") are calculated from specified gains and biases as follows:

$HI\_HI\_LIMX = PSP * HI\_GAIN + HI\_HI\_BIAS + EXPAND\_UP$  (or default to HI\_HI\_LIM if any used parameter is undefined)

$HI\_LIMX = PSP * HI\_GAIN + HI\_BIAS + EXPAND\_UP$  (or default to HI\_LIM if any used parameter is undefined)

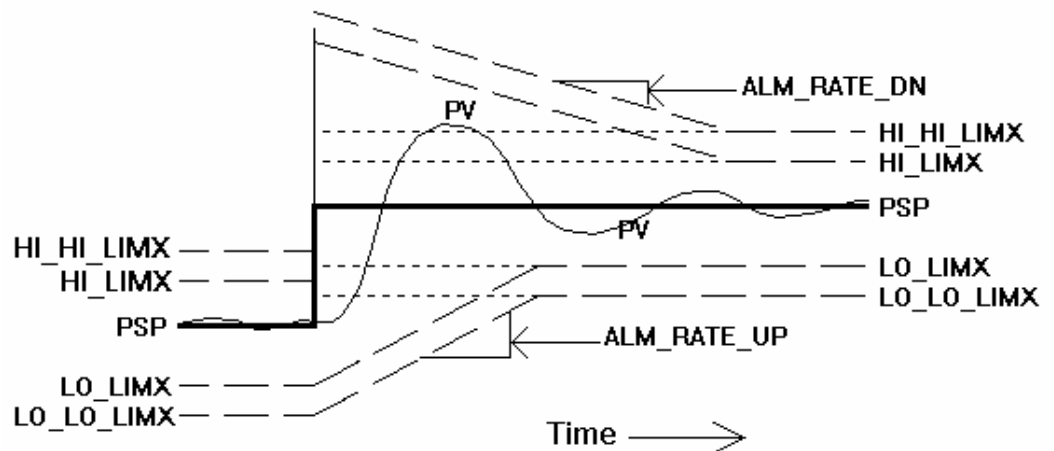
$LO\_LIMX = PSP * LO\_GAIN - LO\_BIAS - EXPAND\_DN$  (or default to LO\_LIM if any used parameter is undefined)

$LO\_LO\_LIMX = PSP * LO\_GAIN - LO\_LO\_BIAS - EXPAND\_DN$  (or default to LO\_LO\_LIM if any used parameter is undefined)

Undefined means:

- HI\_GAIN/HI\_HI\_BIAS = ± INF
- PSP\_STATUS = BAD O/S

Effective alarm limits may be temporarily expanded on step setpoint changes to avoid nuisance alarms. The operating high alarm limits are increased by a calculated term, EXPAND\_UP. The operating low alarm limits are decreased by a calculated term, EXPAND\_DN. See the example in the following time chart:



Both the level 1 (advisory) and level 2 (critical) effective alarm limits are expanded after a setpoint change by the absolute value of the change to PSP. The expansions then decay toward the base limits at a rate determined by ALM\_RATE\_UP and ALM\_RATE\_DN parameters. This permits normal and over-damped process responses to avoid alarms on the initial change and permits under-damped process responses to avoid alarms on overshooting or ringing. The following properties and rules apply:

- The four limits initially expand by the same value, the setpoint change.
- The two high limits always expand by the same value, EXPAND\_UP, and decay by the same rate, ALM\_RATE\_DN (which may differ from the low limits).



- The two low limits always expand by the same value, EXPAND\_DN, and decay by the same rate, ALM\_RATE\_UP (which may differ from the high limits).
- The expansion feature may be suppressed in the upward direction by setting ALM\_RATE\_DN to zero. The expansion feature may be suppressed in the downward direction by setting ALM\_RATE\_UP to zero.
- Additional step setpoint changes prior to complete decay of a previous expansion will expand the alarm limits in each direction to the maximum of the remaining expansion value or new expansion value.

The existence of a new alarm condition may be temporarily ignored by setting the IGNORE\_TIME parameter to the number of seconds to disregard the alarm. Both the reporting of the alarm and the possible change to PRE\_OUT\_ALM will be ignored during this time. This parameter does not delay the clearing of the existence of the alarm on return-to-normal. If the alarm condition does not persist for IGNORE\_TIME seconds, it will not be reported.

OUT\_ALM parameter will be the PRE\_OUT\_ALM value when the block is in Auto mode.

PRE\_OUT\_ALM and OUT\_ALM indicate the existence of one or more selected alarm conditions per the specification of the OUT\_ALM\_SUM parameter. Enumerated choices of the OUT\_ALM\_SUM parameter and their included alarm conditions are listed below:

| OUT_ALM_SUM | INCLUDED ALARM CONDITIONS |        |        |           |
|-------------|---------------------------|--------|--------|-----------|
|             | HI_HI_ALM                 | HI_ALM | LO_ALM | LO_LO_ALM |
| ANY         | ✓                         | ✓      | ✓      | ✓         |
| LOWs        |                           |        | ✓      | ✓         |
| HIGHs       | ✓                         | ✓      |        |           |
| LEVEL1      |                           | ✓      | ✓      |           |
| LEVEL2      | ✓                         |        |        | ✓         |
| LO_LO       |                           |        |        | ✓         |
| LO          |                           |        | ✓      |           |
| HI          |                           | ✓      |        |           |
| HI_HI       | ✓                         |        |        |           |
| NONE        |                           |        |        |           |

For example, if LOWs is chosen for OUT\_ALM\_SUM, either a LO\_ALM or LO\_LO\_ALM being *true* will cause OUT\_ALM to be set to *true*. If LEVEL1 is chosen for OUT\_ALM\_SUM, either a LO\_ALM or HI\_ALM being *true* will cause OUT\_ALM to be set to *true*.

The OUT\_ALM parameter can be used for control purposes, for example, as an interlock signal, besides the basic function of alarm monitoring.

#### Simple alarm calculation: static alarm limits, no expansion and no delay to detection

The alarm limits will be static (HI\_HI\_LIM, HI\_LIM, LO\_LIM and LO\_LO\_LIM are the effective operating alarm limits) if the corresponding gain or bias is +/- INF, or the input PSP is left unconnected with status Bad – O/S.

The alarm limit expansion will be disabled by setting ALM\_RATE\_DN and ALM\_RATE\_UP to zero, The detection of an alarm will be without delay setting IGNORE\_TIME to zero.

#### Additional Features of the Analogical Alarm Block

The OUT\_D output signalize when the IN input is not usable. When the IN.Status is Bad or (Uncertain and the STATUS\_OPTS does not have the bit option "Use Uncertain as Good" set), the OUT\_D value will be 1. When the IN.Status is usable the value will be zero

Optionally, the OUT\_D and OUT\_ALM outputs will be able to inverted, when the respective bits in the INVERT\_OPTS parameter were set.

### BLOCK\_ERR

The BLOCK\_ERR of the Analog Alarm block will reflect the following causes:

- Out of Service – When the block is in O/S mode.

### Supported Modes

O/S, MAN and AUTO.

### Status Handling

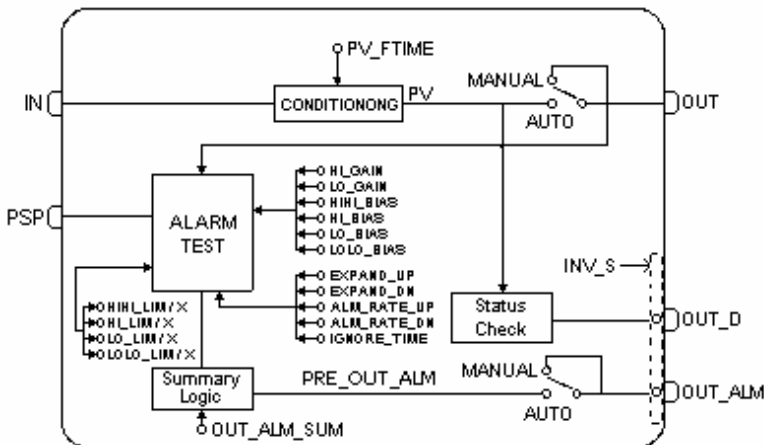
The block will not filter an IN value with a bad status or uncertain status (and "Use Uncertain" option in STATUS\_OPTS is not set), but will instead, filter to the last usable value of PV and assign it the unusable status from IN. When the status of IN returns to a usable value (good or uncertain [and "Use Uncertain" option in STATUS\_OPTS is set]), the value of PV will again be filtered toward the value of IN with the status of IN.

The status of OUT is set to the status of PV (and IN) when in auto mode.

If the worst quality of the stati of PV and PSP is bad, or uncertain (and "Use Uncertain" option in STATUS\_OPTS is not set) the alarm test will not be performed and the status of PRE\_OUT\_ALM will be set to bad (non-specific). Otherwise, the alarm test will be performed and the quality of the status of PRE\_OUT\_ALM will be set to the worst quality of the stati of PV and PSP (good or uncertain). While the alarm condition is not being evaluated due to unusable stati, existing alarms will not be cleared and new alarms will not be generated. Prior alarm conditions may still be acknowledged.

In auto mode, the status of OUT\_ALM will be set to the status of PRE\_OUT\_ALM. In man mode, the limits status of OUT\_ALM is set to double-limited.

### Schematic



### Parameters

| Idx | Parameter | Data Type (length) | Valid Range/ Options | Default Value | Units | Store / Mode | Description   |
|-----|-----------|--------------------|----------------------|---------------|-------|--------------|---|
| 1   | ST_REV    | Unsigned16         |                      | 0             | None  | S/RO         |   |
| 2   | TAG_DESC  | OctString(32)      |                      | Spaces        | Na    | S            |   |
| 3   | STRATEGY  | Unsigned16         |                      | 0             | None  | S            |   |
| 4   | ALERT_KEY | Unsigned8          | 1 to 255             | 0             | None  | S            |   |
| 5   | MODE_BLK  | DS-69              |                      | O/S           | Na    | S            | See Mode Parameter  |
| 6   | BLOCK_ERR | Bitstring(2)       |                      |               | E     | D / RO       |   |
| 7   | PV        | DS-65              |                      |               | PV    | D / RO       | Process analog value. This is the IN value after pass over the PV filter. |
| 8   | OUT       | DS-65              | OUT_SCALE +/- 10%    |               | OUT   | N / Man      | The output value result of the block calculation.                         |
| 9   | OUT_SCALE | DS-68              |                      | 0-100%        | OUT   | S / Man      | The high and low scale values to the OUT parameter.                       |

| Idx | Parameter          | Data Type (length) | Valid Range/ Options   | Default Value | Units     | Store / Mode | Description   |
|-----|--------------------|--------------------|--|---------------|-----------|--------------|---|
| 10  | GRANT_DENY         | DS-70              |  | 0             | na        | D            | Options for controlling access of host computer and local control panels to operating, tuning and alarm parameters of the block.  |
| 11  | STATUS_OPTS        | Bitstring(2)       | See Block Options  | 0             | Na        | S / O/S      | See Block Options   |
| 12  | PV_FTIME           | Float              | Non-Negative   | 0             | Sec       | S            | Time constant of a single exponential filter for the PV, in seconds.  |
| 13  | <b>IN</b>          | <b>DS-65</b>       |  |               | <b>PV</b> | <b>D</b>     | <b>The primary input value of the block, or PV value.</b>   |
| 14  | PSP                | DS-65              |  |               | PV        | D            | This is the process setpoint, which may be used for alarm limit determination.  |
| 15  | HI_GAIN            | Float              |  | 1.1           |           | S            | This gain multiplies PSP before addition of biases for HI_LIM and HI_HI_LIM.  |
| 16  | LO_GAIN            | Float              |  | 0.9           | Na        | S            | This gain multiplies PSP before subtraction of biases for LO_LIM and LO_LO_LIM.   |
| 17  | HI_HI_BIAS         | Float              | Positive   | 1.0           | Out       | S            | This bias is added to PSP*HI_GAIN to determine HI_HI_LIM.   |
| 18  | HI_BIAS            | Float              | Positive   | 0.0           | Out       | S            | This bias is added to PSP*HI_GAIN to determine HI_LIM.  |
| 19  | LO_BIAS            | Float              | Positive   | 0.0           | Out       | S            | This bias is subtracted from PSP*LO_GAIN to determine LO_LIM.   |
| 20  | LO_LO_BIAS         | Float              | Positive   | 1.0           | Out       | S            | This bias is subtracted from PSP*LO_GAIN to determine LO_LO_LIM.  |
| 21  | PRE_OUT_ALM        | DS-66              |  |               | E         | D/RO         | This parameter is the alarm summary variable of the analog alarm block.   |
| 22  | <b>OUT_ALM</b>     | <b>DS-66</b>       |  |               | <b>E</b>  | <b>D</b>     | <b>This parameter is the alarm summary variable of the analog alarm block when in <i>Auto</i> mode and is the value specified by the operator/engineer in <i>Man</i> mode.</b>  |
| 23  | <b>OUT_ALM_SUM</b> | <b>Unsigned8</b>   | <b>0:NONE<br/>1:LO_LO<br/>2:LO<br/>3:LOWs<br/>4:HI<br/>6:LEVEL1<br/>8:HI_HI<br/>9:LEVEL2<br/>12:HIGHS<br/>15:ANY</b> | <b>0</b>      | <b>E</b>  | <b>S</b>     | <b>Specifies the alarms conditions which must be <i>true</i> in order for OUT_ALM to be set to <i>true</i>: ANY, LOWs, HIGHs, LEVEL1, LEVEL2, LO_LO, LO, HI, or HI_HI.</b>  |
| 24  | ALM_RATE_UP        | Float              | Positive   | 0.0           | OUT/sec   | S            | Ramp rate at which downward alarm expansion due to step PSP changes is decayed in the upward direction. Expressed in engineering units per second. Expansion feature disabled in the downward direction if set to zero. (Positive)          |
| 25  | ALM_RATE_DN        | Float              | Positive   | 0.0           | OUT/sec   | S            | Ramp rate at which upward alarm expansion due to step PSP changes is decayed in the downward direction. Expressed in engineering units per second. Expansion feature disabled in the upward direction if set to zero. (Positive)            |
| 26  | EXPAND_UP          | Float              |  |               | OUT       | D/RO         | Amount, in engineering units, that base HI and HI_HI limits are expanded after a setpoint change. Dynamically calculated by block. Initially expanded by the amount of a setpoint change and decayed at the rate of ALM_RATE_UP. (Positive) |

| Idx | Parameter   | Data Type (length) | Valid Range/ Options                      | Default Value | Units | Store / Mode | Description  |
|-----|-------------|--------------------|---|---------------|-------|--------------|--|
| 27  | EXPAND_DN   | Float              |   |               | OUT   | D/RO         | Amount, in engineering units, that base LO and LO_LO limits are expanded after a setpoint change. Dynamically calculated by block. Initially expanded by the amount of a setpoint change and decayed at the rate of ALM_RATE_DN. (Positive)  |
| 28  | IGNORE_TIME | Float              | Positive                                  | 0.0           | Sec   | S            | The time, in seconds, to ignore the existence of a new alarm condition. There is no delay on clearing the existence of the alarm on return to normal. If the alarm does not persist for IGNORE_TIME seconds, it will not be reported. Does not apply to self-clearing (transient) type alarms.   |
| 29  | UPDATE_EVT  | DS-73              |   |               | Na    | D            | This alert is generated by any change to the static data.  |
| 30  | BLOCK_ALM   | DS-72              |   |               | Na    | D            | The block alarm is used for all configuration, hardware, connection failure or system problems in the block. The cause of the alert is entered in the subcode field. The first alert to become active will set the Active status in the Status attribute. As soon as the Unreported status is cleared by the alert reporting task, another block alert may be reported without clearing the Active status, if the subcode has changed. |
| 31  | ALARM_SUM   | DS-74              | See Block Options                         |               | Na    | S            | The current alert status, unacknowledged states, unreported states, and disabled states of the alarms associated with the function block.  |
| 32  | ACK_OPTION  | Bitstring(2)       | 0: Auto ACK Disable<br>1: Auto ACK Enable | 0             | Na    | S            | Selection of whether alarms associated with the block will be automatically acknowledged   |
| 33  | ALARM_HYS   | Float              | 0 to 50 %                                 | 0.5%          | %     | S            | Alarm hysteresis parameter. In order to clear the alarm the amount the PV must return within the alarm limit plus hysteresis.  |
| 34  | HI_HI_PRI   | Unsigned8          | 0 to 15                                   | 0             |       | S            | Priority of the high high alarm.   |
| 35  | HI_HI_LIM   | Float              | OUT_SCALE, +INF                           | +INF          | PV    | S            | <b>The setting for high high alarm in engineering units.</b>   |
| 36  | HI_HI_LIMX  | Float              | OUT_SCALE, +INF                           | +INF          | PV    | D/RO         | The setting for high high alarm in engineering units.  |
| 37  | HI_PRI      | Unsigned8          | 0 to 15                                   | 0             |       | S            | Priority of the high alarm.  |
| 38  | HI_LIM      | Float              | OUT_SCALE, +INF                           | +INF          | PV    | S            | <b>The setting for high alarm in engineering units.</b>  |
| 39  | HI_LIMX     | Float              | OUT_SCALE, +INF                           | +INF          | PV    | D/RO         | The setting for high alarm in engineering units.   |
| 40  | LO_PRI      | Unsigned8          | 0 to 15                                   | 0             |       | S            | Priority of the low alarm.   |
| 41  | LO_LIM      | Float              | OUT_SCALE, -INF                           | -INF          | PV    | S            | <b>The setting for low alarm in engineering units.</b>   |
| 42  | LO_LIMX     | Float              | OUT_SCALE, -INF                           | -INF          | PV    | D/RO         | The setting for low alarm in engineering units.  |
| 43  | LO_LO_PRI   | Unsigned8          | 0 to 15                                   | 0             |       | S            | Priority of the low alarm.   |
| 44  | LO_LO_LIM   | Float              | OUT_SCALE, -INF                           | -INF          | PV    | S            | <b>The setting for low alarm in engineering units.</b>   |
| 45  | LO_LO_LIMX  | Float              | OUT_SCALE, -INF                           | -INF          | PV    | D/RO         | The setting for low alarm in engineering units.  |
| 46  | HI_HI_ALM   | DS-71              |   |               | PV    | D            | The status for high alarm and its associated time stamp.   |
| 47  | HI_ALM      | DS-71              |   |               | PV    | D            | The status for high alarm and its associated time stamp.   |
| 48  | LO_ALM      | DS-71              |   |               | PV    | D            | The status for low alarm and its associated time stamp.  |

| Idx | Parameter   | Data Type (length) | Valid Range/ Options | Default Value | Units | Store / Mode | Description  |
|-----|-------------|--------------------|----------------------|---------------|-------|--------------|--|
| 49  | LO_LO_ALM   | DS-71              |                      |               | PV    | D            | The status for low low alarm and its associated time stamp.              |
| 50  | OUT_D       | DS_66              |                      |               |       | D/RO         | True: Indicate if the IN input is unusable with bad or uncertain status. |
| 51  | INVERT_OPTS | Bitstring(2)       |                      |               |       | S/O/S        | Parameter for inversion of the block discrete outputs.                   |

**Legend:** E – Enumerated parameter; Na – Adimensional parameter; RO – Read only; D – dynamic; N – non-volatile; S - static

**Gray Background Line:** Default Parameters of Syscon

**If DIAG.BEHAVIOR parameter is “Adapted”:**

The required mode for writing is the actual mode, regardless the target mode: OUT

## ISEL - Input Selector

### Description

The signal selector block provides selection of up to four inputs and generates an output based on the configured action. This block would normally receive its input from an AI or another block and not directly from a transducer. In addition to signal selection the block can also perform max, min, mid, avg and first good selection. With the combination of parameter configuration options the block can function as a rotary position switch, or a validated priority selection based on the use of the first good parameter and the DISABLE\_n parameter. As a switch the block can receive switch toggle information from both the connected inputs or from an operator input. The block also supports the concept of a middle selection. Logic is provided for handling of dubious and bad signals in conjunction with configured actions. The intended application of this block is to provide control signal selection in the forward path only and is not intended to receive signals from the output of a controller, therefore, no back calculation support is provided.

The algorithm has the following actions, choose by the SELECT\_TYPE parameter:

- Max = select the max from all the connected and good inputs
- Min = select the min from all the connected and good inputs
- Mid = select the middle value from all the connected and good inputs, if less than MIN\_GOOD inputs are connected then an error code is generated. An error code is also generated if less than MIN\_GOOD values have good status. Not intended for use with 2 or 4 inputs. Although the normal configuration for this feature would be with three signals the block will generate an average of the middle two if four signals are configured or the average of two if three are configured and a bad status is passed on one of the inputs.
- First Good = determine the first good input encountered based on ascending evaluation of the inputs, see text for further discussion
- Avg = compute the average for all the connected and good inputs, if less than two inputs are connected then set the output equal to the input and generate an error code. An error code is also generated if less than MIN\_GOOD inputs have good status.

The processing of the block is as follows:

If DISABLE\_n is true then the respective input IN\_n is not used.

Inputs whose status is bad are ignored. Process the dubious option.

MIN\_GOOD specifies the minimum available signals for OUT status to be good. If there are no inputs left, or fewer than MIN\_GOOD inputs then set the status of OUT to Bad and the value of SELECTED to zero. Do not do selection processing.

For Average ("Avg") the status of OUT is set to worst of inputs considered, then average of the useable inputs is calculated, if none are useable then the output status is bad.

When SELECT\_TYPE is "Mid", "First Good", "Max", or "Min", set the status of OUT to the status of the selected input. The "First Good" option starts at the first input then the second until it encounters an input whose DISABLE\_n is not set and its status is Good, and then transfers this value to the output of the block.

If OP\_SELECT is non-zero, the OP\_SELECT value will override the SELECT\_TYPE selection.

SELECTED is a second output which will indicate which input has been selected by the algorithm for all SELECT\_TYPE except "Avg", when it reflects the number of inputs used in the average. The SELECTED output always has a good status, unless the block is out of service.

### BLOCK\_ERR

The BLOCK\_ERR of the ISEL block will reflect the following causes:

- Block Configuration Error – the configuration error occurs when the SELECT\_TYPE parameter has an invalid value;
- Out of Service – it occurs when the block is in O/S mode.

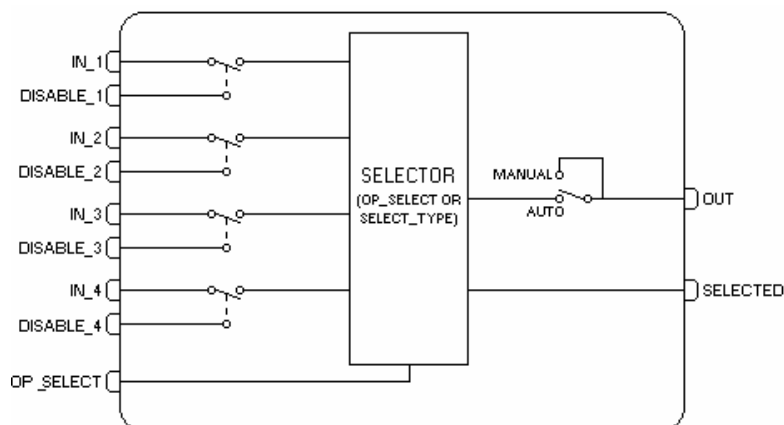
### Supported Modes

O/S, MAN and AUTO.

### Status Handling

The status of OUT will be a copy of the selected input, but if the output is an average of inputs the status will be Good Non-cascade – Non-specific.

## Schematic



## Parameters

| Idx | Parameter   | Data Type (length) | Valid Range/ Options | Default Value | Units | Store / Mode | Description   |
|-----|-------------|--------------------|----------------------|---------------|-------|--------------|---|
| 1   | ST_REV      | Unsigned16         |                      | 0             | None  | S/RO         |   |
| 2   | TAG_DESC    | OctString(32)      |                      | Spaces        | Na    | S            |   |
| 3   | STRATEGY    | Unsigned16         |                      | 0             | None  | S            |   |
| 4   | ALERT_KEY   | Unsigned8          | 1 to 255             | 0             | None  | S            |   |
| 5   | MODE_BLK    | DS-69              |                      | O/S           | Na    | S            | See Mode Parameter  |
| 6   | BLOCK_ERR   | Bitstring(2)       |                      |               | E     | D/RO         |   |
| 7   | OUT         | DS-65              | XD_SCALE             |               | OUT   | D / Man      | The primary analog value calculated as a result of executing the function.  |
| 8   | OUT_UNITS   | Unsigned16         |                      | 0             | E     | S            | The engineering units of the output for display.  |
| 9   | GRANT_DENY  | DS-70              |                      | 0             | Na    | D            | Options for controlling access of host computer and local control panels to operating, tuning and alarm parameters of the block.    |
| 10  | STATUS_OPTS | Bitstring(2)       | See Block Options    | 0             | Na    | S / O/S      | See Block Options   |
| 11  | IN_1        | DS-65              |                      |               |       | D            | Numbered input parameter 1.   |
| 12  | IN_2        | DS-65              |                      |               |       | D            | Numbered input parameter 2.   |
| 13  | IN_3        | DS-65              |                      |               |       | D            | Numbered input parameter 3.   |
| 14  | IN_4        | DS-65              |                      |               |       | D            | Numbered input parameter 4.   |
| 15  | DISABLE_1   | DS-66              |                      |               |       | D            | Parameter to switch off the input from being used. If this parameter is true then don't use this input IN_1 determining the output. |
| 16  | DISABLE_2   | DS-66              |                      |               |       | D            | Parameter to switch off the input from being used. If this parameter is true then don't use this input IN_2 determining the output. |
| 17  | DISABLE_3   | DS-66              |                      |               |       | D            | Parameter to switch off the input from being used. If this parameter is true then don't use this input IN_3 determining the output. |

| Idx | Parameter   | Data Type (length) | Valid Range/ Options   | Default Value | Units | Store / Mode | Description   |
|-----|-------------|--------------------|--|---------------|-------|--------------|---|
| 18  | DISABLE_4   | DS-66              |  |               |       | D            | Parameter to switch off the input from being used. If this parameter is true then don't use this input IN_4 determining the output.   |
| 19  | SELECT_TYPE | Unsigned8          | 1=First good<br>2=MIN<br>3=MAX<br>4=MID<br>5=AVG   | 0             | E     | S            | <p>selector action</p> <p>max = select the max from all the connected and good inputs</p> <p>min = select the min from all the connected and good inputs</p> <p>mid = select the mid value from all the connected and good inputs, if less than min_good inputs are connected then an error code is generated. An error code is also generated if less than min_good values have good status. Not intended for use with 2 or 4 inputs.</p> <p>First Good = determine the first good input encountered based on ascending evaluation of the inputs, see text for further discussion</p> <p>avg = compute the average for all the connected and good inputs, if less than two inputs are connected then set the output equal to the input and generate an error code. An error code is also generated if less than min_good inputs have good status</p> |
| 20  | MIN_GOOD    | Unsigned8          | 0 through 4  | 0             |       | S            | If the number of inputs which are good is less than the value of MIN_GOOD then set the out status to bad.   |
| 21  | SELECTED    | DS-66              | None,<br>1= 1<br>2= 2<br>3= 3<br>4= 4  |               |       | D / RO       | An integer indicating which input has been selected.  |
| 22  | OP_SELECT   | DS-66              | 0 = Normal Operation<br>1= Selects IN1<br>2= Selects IN2<br>3= Selects IN3<br>4= Selects IN4 |               | None  | D            | An operator adjustable parameter to force a given input to be used. Selecting 0 will indicate normal operation while choosing 1 to 4 will indicate the input to be used.  |
| 23  | UPDATE_EVT  | DS-73              |  |               | na    | D            | This alert is generated by any change to the static data.   |
| 24  | BLOCK_ALM   | DS-72              |  |               | na    | D            | The block alarm is used for all configuration, hardware, connection failure or system problems in the block. The cause of the alert is entered in the subcode field. The first alert to become active will set the Active status in the Status attribute. As soon as the Unreported status is cleared by the alert reporting task, another block alert may be reported without clearing the Active status, if the subcode has changed.  |

Legend: E – Enumerated Parameter; NA – Adimensional Parameter; RO – Read Only; D – Dynamic; N – Non volatile; S – Static;

Gray Background Line: Default Parameters in Syscon

**If DIAG.BEHAVIOR parameter is “Adapted”:**

The default value of SELECT\_TYPE is First good.

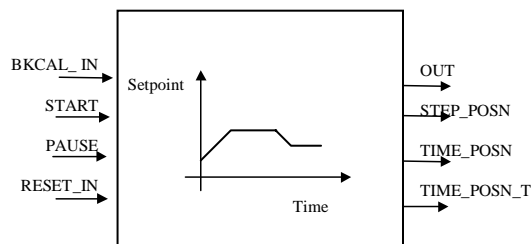
The required mode for writing is the actual mode, regardless the target mode : OUT



## SPG/ESPG - Setpoint Ramp Generator/Enhanced Setpoint Ramp Generator

### Description

The Setpoint generator block is normally used to generate a Setpoint to a PID block in applications like temperature control, batch reactors, etc. In those applications, the Setpoint shall follow a certain profile in function of the time.



The block algorithm shall comply with the following:

1) The profile is determined by up to ten segments or steps. Each segment is defined by a starting value [START\_VAL] and a time duration [DURATION]. The starting value of the next segment determines if the previous segment ramps up, down or remains constant. The profile is given by two parallel arrays and a parameter for the time unit:

START\_VAL (Starting value) - Eleven floating point values defining the initial value of each step, in engineering units.

DURATION (Time duration) - Ten floating point values defining the duration, in seconds, of each step. A null value defines the last step.

TIME\_UNITS - A contained unsigned-eight parameter used to specify the time units used for display.

2) The two arrays define the Setpoint value (y-axis) in function of the time (t-axis). Between two given points, the Setpoint is calculated by interpolation. As each segment is defined by [START\_VAL]<sub>i</sub>, [DURATION]<sub>i</sub> and [START\_VAL]<sub>i+1</sub>, a profile with “n” segments will need **n+1** starting values and **n** time durations. As example, the two following arrays define the profile shown on Fig. 1:

|           | 1  | 2  | 3   | 4   | 5   | 6  |
|-----------|----|----|-----|-----|-----|----|
| START_VAL | 25 | 50 | 50  | 100 | 100 | 25 |
| DURATION  | 60 | 60 | 120 | 60  | 60  | 0  |

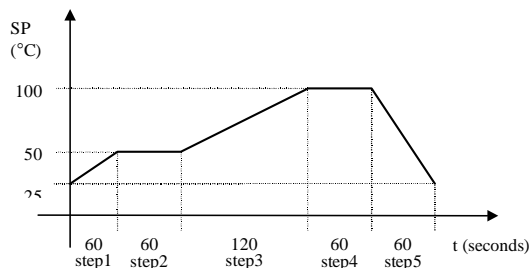


Fig.1 - Setpoint profile

3) The timer is started by a transition from false to true at input START.

4) The timer may be interrupted at any time by changing the discrete signal PAUSE from false to true. It will resume running when PAUSE is set to false. The PAUSE will not force *manual* mode.

5) The timer is also interrupted by a PAUSE caused by the deviation between BKCAL\_IN and the generated Setpoint. If the deviation exceeds DV\_HI\_LIM or DV\_LO\_LIM, an alarm is indicated in DV\_HI\_ALM or DV\_LO\_ALM, respectively. Both alarms stop the timer and resume normal operation when the deviation is within the prescribed limits.

6) The Setpoint is in the “y” axis, while the time is in the “t” axis. The Setpoint value is available at output OUT. It is also available in PRE\_OUT even when the block is in Man mode. For display purpose, the engineering unit of OUT is given by OUT\_SCALE.

7) Three outputs inform the current point of the profile:

STEP\_POSN - Informs the current segment or step.

TIME\_POSN - Informs the time elapsed since the beginning of the current step.

TIME\_POSN\_T - Informs the time elapsed since the beginning of the profile.

8) With the block in manual, the operator can write on the outputs STEP\_POSN, TIME\_POSN and TIME\_POSN\_T in order to select a particular point of the profile. When the block is switched back to auto, the profile will start from that point. The timer is restarted by activating the input START.

9) With the block in manual, the operator can also modify OUT. As the adjusted value may correspond to more than one point on the profile or to none, if the operator adjusts a value beyond the profile limits, the OUT value goes from the last adjusted value to the point before mode switching following a ramp defined by BAL\_TIME.

10) Another operation that can be done with the block in manual, is to advance or return the time through the following operator commands (OP\_CMD\_SPG):

ADVANCE - sets the time to the beginning of the next step.

REPEAT - sets the time to the beginning of the current step.

11) The outputs can only be modified with the block is in manual mode.

12) The operator can give a RESET command using OP\_CMD\_SPG with the block in any mode. The timer is set to zero, i.e., to the beginning of the profile. In this case the operator must give a new start, by switching the input START from false to true. Therefore the block may be started even though the OP\_CMD\_SPG remains with RESET value.

13) The input RESET\_IN allows a discrete signal coming from another block to set the timer to zero. While this input parameter has value TRUE, the block will remain in reset, therefore it will be able to start only after this input parameter goes to FALSE.

14) When the time reaches the last point of the profile, it will automatically return to zero (RESET) and restart (START) automatically, if the parameter AUTO\_CYCLE is set to true.

15) The operation status is given by the parameter SPG\_STATE

READY - When the profile is at the beginning, waiting for the starting signal.

ACTIVE - When the timer is “on”.

PAUSE - When the PAUSE signal stopped the timer.

AT\_END - When the time reaches the last point of the profile.

16) The parameter PAUSE\_CAUSE enumerates the cause of the PAUSE state:

- 1 = Operator Pause
- 2 = Logic Pause
- 3 = Operator & Logic
- 4 = Deviation pause
- 5 = Operator & Deviation
- 6 = Logic & Deviation
- 7 = Operator & Logic & Deviation

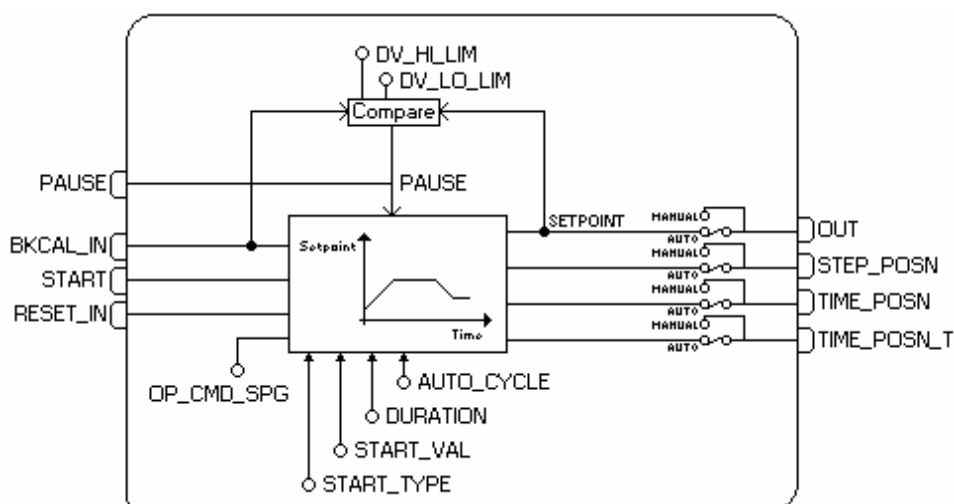
Logic Pause happens when the deviation limits are exceeded or the PID block is not in Cascade mode.

17) Sometimes there is a large deviation between the controlled variable (available in BKCAL\_IN) and the profile initial value. In this situation, the timer may not be started or the control will start with a large upset. In order to avoid these problems, the parameter START\_TYPE offers the following options:

- a - USE\_CURVE- The curve starts as specified by START\_VAL and DURATION.
- b - USE\_DUR- The curve starts at BKCAL\_IN value and use the duration specified.
- c - USE\_RATE- The curve starts at BKCAL\_IN value and use the rate specified by the first two START\_VAL values and the first DURATION value.

18) The input BKCAL\_IN can be connected to the output of an Analog Input block or to the BKCAL\_OUT of a PID control block. If a PID is connected, the CONTROL\_OPTS of the PID should be configured to use PV for BKCAL\_OUT. If the PID is not in Cas mode when the operation status is READY (see 15), initialization will occur as described in 17. If the operation status is ACTIVE, the block will go to IMan mode and behave as described in 9 to make the value of OUT equal the value OF BKCAL\_IN.

### Schematic



### BLOCK\_ERR

The BLOCK\_ERR of the SPG block will reflect the following causes:

- Block Configuration Error – the configuration error occurs when the START\_TYPE parameter has an invalid value;
- Out of Service – it occurs when the block is in O/S mode.

### Supported Modes

O/S, IMAN, MAN and AUTO.

### Status Handling

The input BKCAL\_IN provides status.

If the status of BKCAL\_IN is bad and the option Use uncertain of STATUS\_OPTS is set to true, the deviation alarms are not considered.

If the status of any used input becomes bad or uncertain and the respective option Use bad or Use uncertain of STATUS\_OPTS is not set, the block actual mode will be forced to manual.

Parameters

| Idx | Parameter   | Data Type (length) | Valid Range/Options   | Default Value | Units  | Store / Mode | Description  |
|-----|-------------|--------------------|---|---------------|--------|--------------|--|
| 1   | ST_REV      | Unsigned16         |   | 0             | None   | S/RO         |  |
| 2   | TAG_DESC    | OctString(32)      |   | Spaces        | Na     | S            |  |
| 3   | STRATEGY    | Unsigned16         |   | 0             | None   | S            |  |
| 4   | ALERT_KEY   | Unsigned8          | 1 to 255  | 0             | None   | S            |  |
| 5   | MODE_BLK    | DS-69              |   | O/S           | Na     | S            | See Mode Parameter   |
| 6   | BLOCK_ERR   | Bitstring(2)       |   |               | E      | D / RO       |  |
| 7   | OUT         | DS-65              | OUT_SCALE +/- 10%   |               | OUT    | N / Man      | The analog value calculated as a result of executing the function.   |
| 8   | OUT_SCALE   | DS-68              |   | 0-100%        | OUT    | S / Man      | The high and low scale values to the OUT parameter.  |
| 9   | GRANT_DENY  | DS-70              |   | 0             | na     | D            | Options for controlling access of host computer and local control panels to operating, tuning and alarm parameters of the block. |
| 10  | STATUS_OPTS | Bitstring(2)       | See Block Options   | 0             | Na     | S / O/S      | See Block Options  |
| 11  | START_VAL   | 11 Floats          |   |               |        |              | An array of up to eleven points defines the starting point of each segment of the Setpoint profile, in engineering units.        |
| 12  | DURATION    | 10 Floats          |   | 0's           | Sec    | S            | An array of up to ten points defines the duration of each segment of the Setpoint profile, in seconds.                           |
| 13  | TIME_UNITS  | Unsigned8          | 1=seconds<br>2=minutes<br>3=hours<br>4=days<br>5=[day-<br>[hr:[min]:sec]]   | 0             |        | E            | Display Time Units for TIME_POSN and TIME_POSN_T.  |
| 14  | BKCAL_IN    | DS-65              |   |               | OUT    | N            | The value and status from a lower block's BKCAL_OUT that is used to prevent reset windup and to initialize the control loop.     |
| 15  | START       | DS-66              |   |               | On/Off | D            | A leading edge at this input or a transition from false to true starts the timer.  |
| 16  | START_TYPE  | Unsigned8          | 1=Use Curve<br>2=Use Duration<br>3=Use Rate   | 0             | E      | S            | This parameter selects the starting point option.  |
| 17  | PAUSE       | DS-66              |   |               |        | D            | Stops the timer when set to <i>true</i> . Resume time running when set back to <i>false</i> .                                    |
| 18  | PAUSE_CAUSE | Unsigned8          | 0=Not paused<br>1=Operator Pause<br>2=Logic Pause<br>4=Deviation Pause<br>3=Operator & Logic<br>5=Operator & Deviation<br>6=Logic & Deviation<br>7=Operator & Logic & Deviation |               |        | E            | This parameter enumerates the causes of PAUSE.   |

| Idx | Parameter   | Data Type (length) | Valid Range/ Options                                      | Default Value | Units | Store / Mode | Description  |
|-----|-------------|--------------------|---|---------------|-------|--------------|--|
| 19  | AUTO_CYCLE  | Unsigned8          | 1:Auto cycle  | 0             | E     | S            | When set to <i>true</i> , automatically resets the time to the beginning of the first step and restarts the timer.   |
| 20  | STEP_POSN   | DS-66              | 0=none<br>1=step1<br>2=step 2<br>n=step n                 | 0             | E     | D / Man      | Determine the current step or segment of the profile in auto mode. Direct the timer to the step specified by the operator when in manual mode.   |
| 21  | TIME_POSN   | DS-65              |   |               | Sec   | D / Man      | Determine the time elapsed since the beginning of the step in auto mode. The operator can set the time since the beginning of the current step when operating in manual.   |
| 22  | TIME_POSN_T | DS-65              |   |               | Sec   | N / Man      | Determine the time elapsed since the beginning of the curve in auto mode. The operator can set the time since the beginning of the curve when operating in manual.   |
| 23  | OP_CMD_SPG  | Unsigned8          | 0=UNDEFINED<br>1=RESET_IN<br>2=ADVANCE<br>3=REPEAT        | 0             | E     | D            | Enable the positioning in the profile. Enumerations are: RESET, ADVANCE*, REPEAT*. (*only valid with the block in manual).   |
| 24  | SPG_STATE   | Unsigned8          | 0=UNDEFINED<br>1=READY<br>2=ACTIVE<br>3=PAUSE<br>4=AT_END |               | E     | N            | Define the operating state of the block. Enumerations are: READY, ACTIVE, PAUSE and AT_END.  |
| 25  | PRE_OUT     | DS-65              |   |               |       | D            | Displays what would be the OUT value and status if the mode was Auto or lower.   |
| 26  | RESET_IN    | DS-66              | 0:Off<br>1:Reset  |               | E     | D            | Resets the timer.  |
| 27  | BAL_TIME    | Float              | Positive  | 0             | sec   | S            | This specifies the time for the internal working value of bias or ratio to return to the operator set bias or ratio, in seconds.   |
| 28  | OUTAGE_LIM  | Float              | Positive  | 0             | Sec   | S            | The maximum tolerated duration for power failure.<br>This feature is not supported.  |
| 29  | UPDATE_EVT  | DS-73              |   |               | Na    | D            | This alert is generated by any change to the static data.  |
| 30  | BLOCK_ALM   | DS-72              |   |               | Na    | D            | The block alarm is used for all configuration, hardware, connection failure or system problems in the block. The cause of the alert is entered in the subcode field. The first alert to become active will set the Active status in the Status attribute. As soon as the Unreported status is cleared by the alert reporting task, another block alert may be reported without clearing the Active status, if the subcode has changed. |
| 31  | ALARM_SUM   | DS-74              | See Block Options   |               | Na    | S            | The current alert status, unacknowledged states, unreported states, and disabled states of the alarms associated with the function block.  |
| 32  | ACK_OPTION  | Bitstring(2)       | 0: Auto ACK Disable<br>1: Auto ACK Enable                 | 0             | Na    | S            | Selection of whether alarms associated with the block will be automatically acknowledged   |

| Idx | Parameter | Data Type (length) | Valid Range/ Options   | Default Value | Units | Store / Mode | Description   |
|-----|-----------|--------------------|------------------------|---------------|-------|--------------|---|
| 33  | ALARM_HYS | Float              | 0 to 50 %              | 0.5%          | %     | S            | Alarm hysteresis parameter. In order to clear the alarm the amount the PV must return within the alarm limit plus hysteresis. |
| 34  | DV_HI_PRI | Unsigned8          | 0 to 15                |               |       | S            | Priority of the high deviation alarm.   |
| 35  | DV_HI_LIM | Float              | +(OUT_SCALE) or +(INF) | +INF          | OUT   | S            | The setting for high deviation alarm in engineering units.  |
| 36  | DV_LO_PRI | Unsigned8          | 0 to 15                |               |       | S            | Priority of the low deviation alarm.  |
| 37  | DV_LO_LIM | Float              | -(OUT_SCALE) or -(INF) | -INF          | OUT   | S            | The setting for low deviation alarm in engineering units.   |
| 38  | DV_HI_ALM | DS-71              |                        |               | OUT   | D            | The status for high deviation alarm and its associated time stamp.  |
| 39  | DV_LO_ALM | DS-71              |                        |               | OUT   | D            | The status for low deviation alarm and its associated time stamp.   |

Legend: E – Enumerated parameter; Na – Adimensional parameter; RO – Read only; D – dynamic; N – non-volatile; S - static

Gray Background Line: Default Parameters of Syscon

If DIAG.BEHAVIOR parameter is “Adapted”:

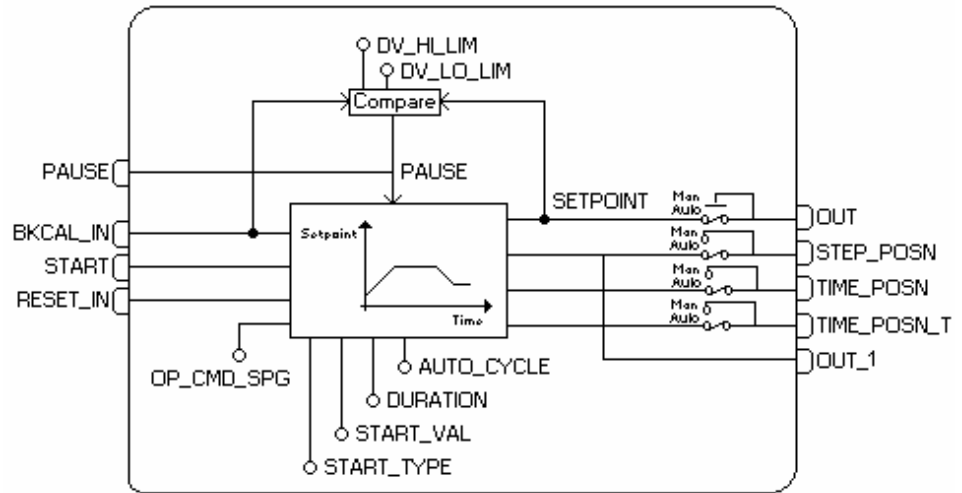
The default value of START\_TYPE is “Use Curve”.

The required mode for writing is the actual mode, regardless the target mode: OUT, TIME\_POSN, TIME\_POSN\_T and STEP\_POSN

## ESPG – Enhanced Setpoint Ramp Generator

### Additional Features

### Schematic



### Description

The Enhance Setpoint Ramp Generator has an additional output parameter as it is possible to see in the schematic above. The OUT\_1 output indicates the current step or segment of profile like the SPG parameter STEP\_POSN. But the OUT\_1 format is float.

### Parameters

It has all parameters of the SPG block added of the

| Idx | Parameter | Data Type<br>(length) | Valid Range/<br>Options                                  | Default<br>Value | Units | Store /<br>Mode | Description  |
|-----|-----------|-----------------------|--|------------------|-------|-----------------|--|
| 40  | OUT_1     | DS-65                 | 0=None<br>1= Step1<br>2= Step2<br>3= Step 3<br>4= Step 4 | 0                | E     | D/RO            | This parameter identifies the current step or segment of profile. Similar to the STEP_POSN parameter but the format in this case is float. |

**Legend:** E – Enumerated parameter; Na – Adimensional parameter; RO – Read only; D – dynamic; N – non-volatile; S – static

**Gray Background Line:** Default Parameters of Syscon

## TIME – Timer and Logic

### Description

The Timer and Logic function block provides logic combination and timing functions including the following:

- Combine multiple inputs as OR, AND, vote, or EXACTLY count.
- Measure the duration of the combined discrete input signal
- Accumulate, until reset, the duration of the combined input signal
- Count changes of the combined discrete input signal
- Set a discrete output if the duration of the combined input signal exceeds a limit
- Extend, Delay, Pulse, or Debounce the combined input as an output
- Provide outputs indicating amount of time expired and amount of time remaining
- Selectively invert any connected discrete input or output
- Reset timer

Up to four inputs may be combined logically (ANDed, ORed), voted (any 2 or more true, any 3 or more true), or counted (exactly 1 true, exactly 2 true, exactly 3, odd count, or even count). The combined input value is specified by the combination type (COMB\_TYPE) enumeration. Choices are indicated in the table below.

Connected inputs may have the values of true, false, or undefined. Undefined connected inputs are treated with status bad(out-of-service). Non-connected inputs may have the values of true, false, or undefined. Undefined non-connected inputs (operator/engineer enterable) are ignored.

| COMB_TYPE<br>Enumeration | PV_D value                                     |
|--------------------------|--|
| OR                       | true if one or more used inputs are true       |
| ANY2                     | true if two or more used inputs are true       |
| ANY3                     | true if three or more used inputs are true     |
| AND                      | true if all used inputs are true               |
| EXACTLY1                 | true if exactly 1 used input is true           |
| EXACTLY2                 | true if exactly 2 used inputs are true         |
| EXACTLY3                 | true if exactly 3 used inputs are true         |
| EVEN                     | true if exactly 0, 2 or 4 used inputs are true |
| ODD                      | true if exactly 1 or 3 used inputs are true    |

The timer processing type is specified by TIMER\_TYPE. It may operate to produce a measurement, delay, extension, pulse (non-re-triggerable or re-triggerable) or debounce, of the combined input signal.

TIMER\_SP is the specification for the time duration of delay, extension, pulse, debounce filter, or comparison limit. It may either be configured as an operator/engineer-entered constant or may be connected as an input, determined by another block. In either case the block will, on each execution, check to see if the current duration of the delay, extension, pulse, debounce, or time comparison exceeds the current TIMER\_SP.

OUT\_EXP indicates the amount of time expired in the measurement, comparison, delay, extension, debounce, or pulse. See TIMER\_TYPE for details.

OUT\_REM indicates the amount of time remaining in the comparison, delay, extension, debounce, or pulse. See TIMER\_TYPE for details.

OUT\_D parameter will be the PRE\_OUT\_D value when the block is in Auto mode.

QUIES\_OPT allows the configurer to select the behavior for OUT\_EXP and OUT\_REM when the timer is quiescent-- that is, not timing and not in a triggered condition. The following table lists the definition of quiescent state for each TIMER\_TYPE enumeration:



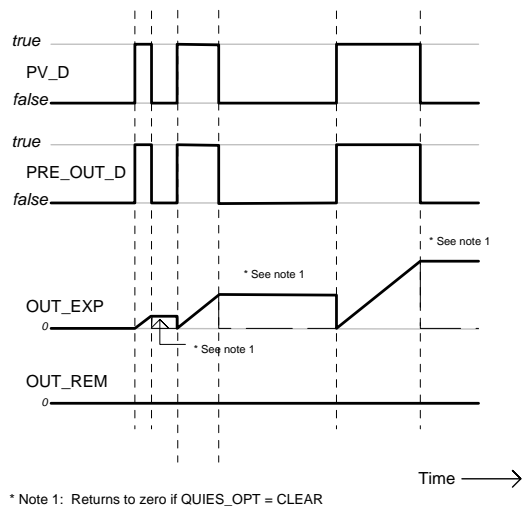
| Definition of quiescent state start and end as a function of <b>TIMER_TYPE</b> |   |   |
|--|---|---|
| <b>TIMER_TYPE</b>  | Quiescence state <b>starts</b><br>when combined input (PV_D): | Quiescence state <b>ends</b><br>when combined input (PV_D): |
| MEASURE  | returns to false  | changes from false-to-true                                  |
| ACCUM  | [QUIES_OPT does not apply]                                    | [QUIES_OPT does not apply]                                  |
| COMPARE  | returns to false  | changes from false-to-true                                  |
| DELAY  | returns to false  | changes from false-to-true                                  |
| EXTEND   | returns to true   | changes from true-to-false                                  |
| DEBOUNCE   | has changed <u>and</u> timer has expired                      | changes   |
| PULSE  | has returned to false <u>and</u> timer has expired            | changes from false-to-true                                  |
| RT_PULSE   | has returned to false <u>and</u> timer has expired            | changes from false-to-true                                  |

The CLEAR enumeration of QUIES\_OPT will cause both OUT\_EXP and OUT\_REM to be set to zero during quiescence. The LAST enumeration of QUIES\_OPT will cause both OUT\_EXP and OUT\_REM to be held to their values when the block becomes quiescent. That is, the time expired and time remaining will remain available until the quiescence ends with the start of the next activation. Note that a false-to-true transition on RESET\_IN will also reset OUT\_EXP and OUT\_REM.

N\_START is a count of the number of starts (false-to-true) transitions of the combined input, PV\_D, since the last false-to-true change seen on RESET\_IN.

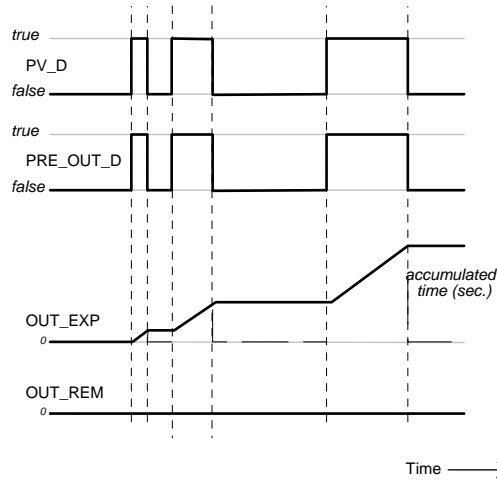
TIMER\_TYPE may be one of the following, operating on the combined input signal:

- MEASURE Indicate the duration of the most recent true signal
  - ACCUM Accumulate the durations of a true signal
  - COMPARE Compare a true signal duration to specified duration
  - DELAY Delay a false-to-true transition, eliminating it if short
  - EXTEND Extend a true-to-false transition, eliminating it if short
  - DEBOUNCE Delay any transition, eliminating it if short
  - PULSE Generate a true pulse on a false-to-true transition, non-retriggerable
  - RT\_PULSE Generate a true pulse on a false-to-true transition, retriggerable
- If TIMER\_TYPE is **MEASURE**, PRE\_OUT\_D will be the same as the combined input, PV\_D. OUT\_EXP indicates the length of time, in seconds, that the combined signal is true. OUT\_REM is set to 0.



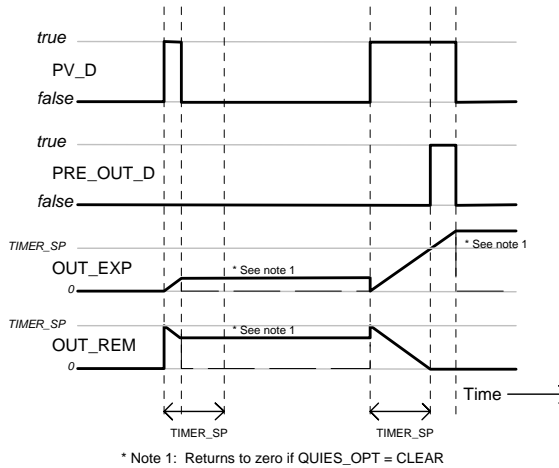
**Timer Example when *TIMER\_TYPE* = MEASURE**

- If **TIMER\_TYPE** is **ACCUM**, **PRE\_OUT\_D** will be the same as the combined input, **PV\_D**. **OUT\_EXP** indicates the accumulated length of time, in seconds, that the combined signal has been true. Unlike **TIMER\_TYPE = MEAS**, it will not be automatically reset by the time of the next occurrence of a false-to-true change of **PV\_D**. Instead, it will continue to accumulate "on" time or "run" time until reset to 0 by a false-to-true change on **RESET\_IN**. **OUT\_REM** is unused (set to 0.0) for this timer type.



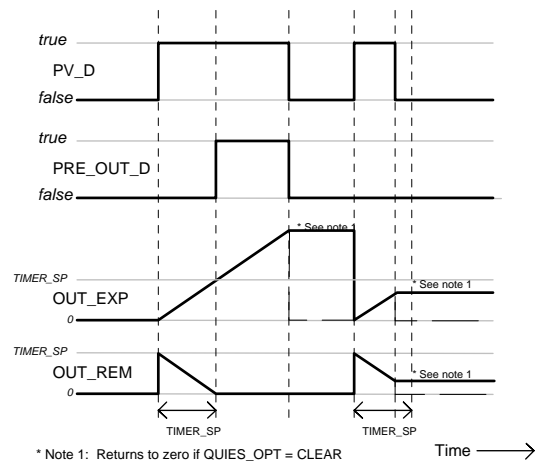
**Timer Example when *TIMER\_TYPE = ACCUM***

- If **TIMER\_TYPE** is **COMPARE**, the block will measure the time since a false-to-true change on the combined input, **PV\_D**. The current duration will be indicated by **OUT\_EXP**. **OUT\_REM** will indicate the time remaining between the current expired duration, **OUT\_EXP**, and current limit, **TIMER\_SP**. If **OUT\_EXP** does not exceed **TIMER\_SP**, **PRE\_OUT\_D** will be set to false. If **OUT\_EXP** equals or exceeds **TIMER\_SP**, **PRE\_OUT\_D** will be set to true and **OUT\_REM** will be set to zero. When the combined input returns to false, either with or without exceeding the limits specified by **TIMER\_SP**, **OUT\_D** will be set to false. [Note that this type of behavior is the same as **TIMER\_TYPE = DELAY**. The difference is merely in the application perspective]



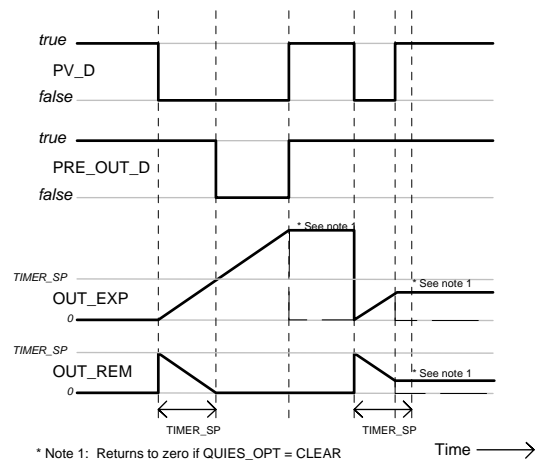
**Timer Example when *TIMER\_TYPE = COMPARE***

- If **TIMER\_TYPE** is **DELAY**, a false-to-true change on the combined input, **PV\_D**, will be delayed at the output, **PRE\_OUT\_D**, until the amount of time specified by **TIMER\_SP** has been expired. If the combined input returns to false before the time expires, the output will remain as false, concealing the input transitions. If the **PRE\_OUT\_D** output has been set to true because the time has expired, a true-to-false transition in the combined input will be presented to **PRE\_OUT\_D** immediately. [Note that this type of behavior is the same as **TIMER\_TYPE = COMPARE**. The difference is merely in the application perspective.]



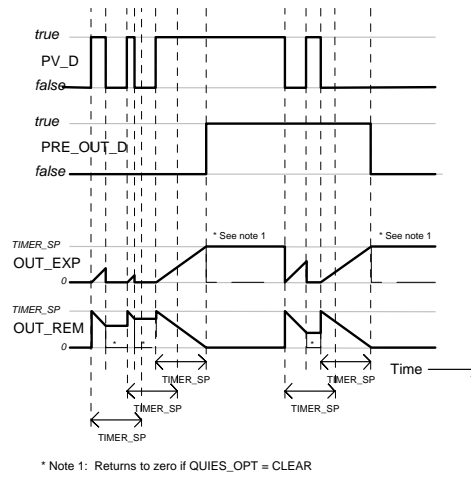
#### Timer Example when $TIMER\_TYPE = DELAY$

- If  $TIMER\_TYPE$  is **EXTEND**, a true-to-false change on the combined input,  $PV\_D$ , will be delayed at the output,  $PRE\_OUT\_D$ , until the amount of time specified by  $TIMER\_SP$  has been expired. If the combined input returns to true before the time expires, the output will remain as true, concealing the input transitions. If the  $PRE\_OUT\_D$  output has been set to false because the time has expired, a false-to-true transition in the combined input will be presented to  $PRE\_OUT\_D$  immediately.



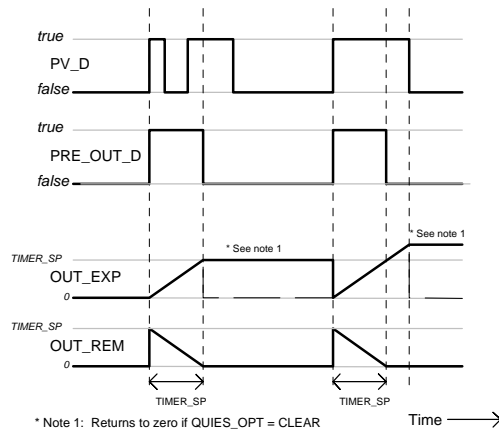
#### Timer Example when $TIMER\_TYPE = EXTEND$

- If  $TIMER\_TYPE$  is **DEBOUNCE**, and if  $PRE\_OUT\_D$  is false, a false-to-true change on the combined input,  $PV\_D$ , will be delayed at the output,  $PRE\_OUT\_D$ , until the amount of time specified by  $TIMER\_SP$  has been expired. If the combined input returns to false before the time expires, the output will remain as false, concealing the input transitions. If  $PRE\_OUT\_D$  is true, a true-to-false change on the combined input,  $PV\_D$ , will be delayed at the output,  $PRE\_OUT\_D$ , until the amount of time specified by  $TIMER\_SP$  has been expired. If the combined input returns to true before the time expires, the output will remain as true, concealing the input transitions. This both delays true initiations and extends true terminations, acting as a filter for intermittent state changes.



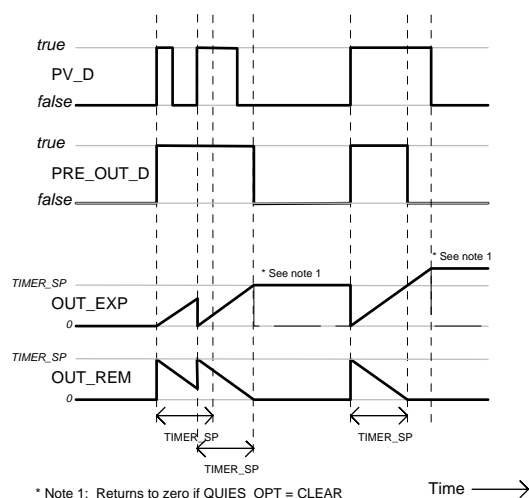
**Timer Example when *TIMER\_TYPE* = DEBOUNCE**

- If *TIMER\_TYPE* is **PULSE**, a false-to-true change on the combined input, *PV\_D*, will initiate a true pulse at *PRE\_OUT\_D* whose duration is determined by the *TIMER\_SP* value. At the end of the time duration, the output, will return to false. Further false-to-true transitions of the combined input while *PRE\_OUT\_D* is true will be ignored.



**Timer Example when *TIMER\_TYPE* = PULSE**

- If *TIMER\_TYPE* is **RT\_PULSE**, (Re-Triggerable pulse type) a false-to-true change on the combined input, *PV\_D*, will initiate a true pulse at *PRE\_OUT\_D* whose duration is determined by the *TIMER\_SP* value. At the end of that time duration *PRE\_OUT\_D* will return to false. If the combined input returns to false and presents a subsequent false-to-true transition while the timer is timing, the timer shall be reinitialized and *PRE\_OUT\_D* shall continue to be true.



### Timer Example when $TIMER\_TYPE = RT\_PULSE$

RESET\_IN is a discrete input which, on a false-to-true transition, resets the timer. OUT\_EXP is set to 0.0, and then the timer follows processing described under "Initial Value Handling" regarding the value of PRE\_OUT\_D and OUT\_REM. If RESET\_IN is not connected, an operator/engineer may set it to true. In this case, the block logic will reset it to false on its next execution.

TIME\_UNITS allows the user to specify to the HMI the units of time in which TIMER\_SP, OUT\_EXP and OUT\_REM are to be displayed.

Each bit in INVERT\_OPTS, if set, indicates that the corresponding discrete-with-status input or output parameter is inverted. That is, input values are inverted prior to use by the block and outputs are inverted after the value is determined by the block.

### Initialization

The following table summarizes the values of PRE\_OUT\_D, OUT\_EXP and OUT\_REM after the initial execution, as a function of TIMER\_TYPE and the initial value of the combined input, PV\_D:

| TIMER_TYPE | PV_D  | PRE_OUT_D | OUT_EXP    | OUT_REM    | Timer Status |
|------------|-------|-----------|------------|------------|--------------|
| MEASURE    | False | False     | 0.0        | 0.0        | Inactive     |
| MEASURE    | True  | True      | 0.0        | 0.0        | Inactive     |
| ACCUM      | False | False     | 0.0        | 0.0        | Inactive     |
| ACCUM      | True  | True      | 0.0        | 0.0        | Inactive     |
| COMPARE    | False | False     | TIMER_SP † | 0.0        | Inactive     |
| COMPARE    | True  | False     | 0.0        | TIMER_SP † | Active       |
| DELAY      | False | False     | TIMER_SP † | 0.0        | Inactive     |
| DELAY      | True  | False     | 0.0        | TIMER_SP † | Active       |
| EXTEND     | False | True      | 0.0        | TIMER_SP † | Active       |
| EXTEND     | True  | True      | TIMER_SP † | 0.0        | Inactive     |
| DEBOUNCE   | False | False     | TIMER_SP † | 0.0        | Inactive     |
| DEBOUNCE   | True  | True      | TIMER_SP † | 0.0        | Inactive     |
| PULSE      | False | False     | 0.0        | 0.0        | Inactive     |
| PULSE      | True  | False     | TIMER_SP † | 0.0        | Inactive     |
| RT_PULSE   | False | False     | 0.0        | 0.0        | Inactive     |
| RT_PULSE   | True  | False     | TIMER_SP † | 0.0        | Inactive     |

† Initialize to TIMER\_SP value if QUIES\_OPT = LAST, initialize to 0.0 if QUIES\_OPT = CLEAR.

### BLOCK\_ERR

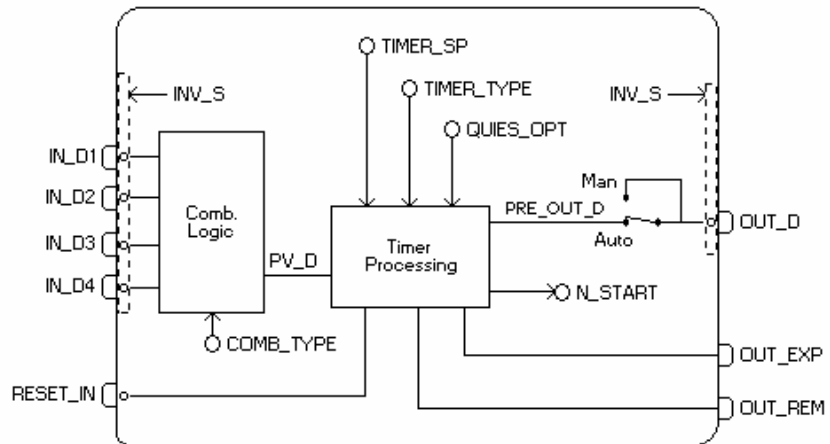
The BLOCK\_ERR of the TIME block will reflect the following causes:

- Block Configuration Error – the configuration error occurs when the TIME\_UNITS or QUIES\_OPT parameters have an invalid value;
- Out of Service – it occurs when the block is in O/S mode.

### Modes Supported

O/S, MAN and AUTO.

Schematic



Parameters

| Idx | Parameter   | Data Type (length) | Valid Range/ Options  | Default Value | Units | Store / Mode | Description  |
|-----|-------------|--------------------|---|---------------|-------|--------------|--|
| 1   | ST_REV      | Unsigned16         |   | 0             | None  | S/RO         |  |
| 2   | TAG_DESC    | OctString(32)      |   | Spaces        | Na    | S            |  |
| 3   | STRATEGY    | Unsigned16         |   | 0             | None  | S            |  |
| 4   | ALERT_KEY   | Unsigned8          | 1 to 255  | 0             | None  | S            |  |
| 5   | MODE_BLK    | DS-69              |   | O/S           | Na    | S            | See Mode Parameter   |
| 6   | BLOCK_ERR   | Bitstring(2)       |   |               | E     | D/RO         | This is the timer duration used by the timer block for delay, extension, debouncing, and pulse time-processing.                  |
| 7   | PV_D        | DS-66              |   |               |       | RO           | Either the primary discrete value for use in executing the function, or a process value associated with it.                      |
| 8   | OUT_D       | DS-66              |   |               |       | D            | The primary discrete value calculated as a result of executing the function.   |
| 9   | TIMER_SP    | Float              | Positive  | 0             | Sec   | S            |  |
| 10  | PV_STATE    | Unsigned16         |   | 0             |       | S            | Index to the text describing the states of a discrete PV.  |
| 11  | OUT_STATE   | Unsigned16         |   | 0             |       | S            | Index to the text describing the states of a discrete output.  |
| 12  | GRANT_DENY  | DS-70              |   | 0             | Na    | D            | Options for controlling access of host computer and local control panels to operating, tuning and alarm parameters of the block. |
| 13  | INVERT_OPTS | Bitstring(2)       | See Block Options   | 0             | Na    | S / O/S      | See Block Options  |
| 14  | STATUS_OPTS | Bitstring(2)       | See Block Options   | 0             | Na    | S / O/S      | See Block Options  |
| 15  | IN_D1       | DS-66              |   |               |       | D            | Numbered discrete input parameter 1.   |
| 16  | IN_D2       | DS-66              |   |               |       | D            | Numbered discrete input parameter 2.   |
| 17  | IN_D3       | DS-66              |   |               |       | D            | Numbered discrete input parameter 3.   |
| 18  | IN_D4       | DS-66              |   |               |       | D            | Numbered discrete input parameter 4.   |
| 19  | COMB_TYPE   | Unsigned8          | 0=AND<br>1=OR<br>2=ANY2<br>3=ANY3<br>21=EXACTLY1<br>22=EXACTLY2<br>23=EXACTLY3<br>40=EVEN<br>41=ODD | 1             | E     | S            | Determines how the multiple IN_D[i] values are combined.   |

| Idx | Parameter  | Data Type (length) | Valid Range/ Options  | Default Value | Units | Store / Mode | Description  |
|-----|------------|--------------------|---|---------------|-------|--------------|--|
| 20  | TIMER_TYPE | Unsigned8          | 0=MEASURE<br>1=ACCUM<br>2=COMPARE<br>3=DELAY<br>4=EXTEND<br>5=DEBOUNCE<br>6=PULSE<br>7=RT_PULSE | 0             | E     | S            | Type of time-processing applied to PV_D to determine the PRE_OUT_D.  |
| 21  | PRE_OUT_D  | DS-66              |   |               |       | RO           | This parameter is the combined and time-processed output of the timer block.   |
| 22  | N_START    | Unsigned16         |   |               | None  | D/RO         | Count of <i>false-to-true</i> transitions of the combined input, PV_D. Reset by <i>false-to-true</i> transition of RESET_IN.   |
| 23  | OUT_EXP    | DS-65              |   |               | Sec   | N / RO       | This is the time expired. Stops when TIMER_SP is reached. Reset to zero (1) by RESET_IN, (2) at start of next timer event if QUIES_OPT = LAST, or (3) when block becomes quiescent if QUIES_OPT = CLEAR.   |
| 24  | OUT_REM    | DS-65              |   |               | Sec   | N / RO       | This is the time remaining if the timer is active. Stops when event ceases (block becomes quiescent). Reset to 0.0 if QUIES_OPT = CLEAR, and the timer is inactive.  |
| 25  | RESET_IN   | DS-66              | 0=Off<br>1=Reset  |               |       |              | Resets the timer.  |
| 26  | QUIES_OPT  | Unsigned8          | 1=CLEAR<br>2=LAST   | 0             | E     | S / O/S      | Behavior option for OUT_EXP and OUT_REM during quiescence. CLEAR resets them to zero. LAST causes last values to be held.  |
| 27  | TIME_UNITS | Unsigned8          | 1=seconds<br>2=minutes<br>3=hours<br>4=days<br>5=[day-<br>[hr:[min[:sec]]]]                     | 0             | E     | S            | This parameter has fixed unit: seconds. TIME_UNITS is not used.  |
| 28  | UPDATE_EVT | DS-73              |   |               | na    | D            | This alert is generated by any change to the static data.  |
| 29  | BLOCK_ALM  | DS-72              |   |               | na    | D            | The block alarm is used for all configuration, hardware, connection failure or system problems in the block. The cause of the alert is entered in the subcode field. The first alert to become active will set the Active status in the Status attribute. As soon as the Unreported status is cleared by the alert reporting task, another block alert may be reported without clearing the Active status, if the subcode has changed. |

**Legend:** E – Enumerated parameter; Na – Adimensional parameter; RO – Read only; D – dynamic; N – non-volatile; S - static

**Gray Background Line: Default Parameters of Syscon**

**If DIAG.BEHAVIOR parameter is “Adapted”:**

The default value of TIME\_UNITS is “Seconds”.

The default value of QUIES\_OPT is “CLEAR”.

## LLAG - Lead Lag

### Description

The LLAG block provides dynamic compensation of the IN parameter. The block can function as a lead or lag device. The user would configure the LEAD\_TIME and LAG\_TIME parameters to obtain the desired input/output relationship. This block would normally be used in a feedforward portion of a control scheme or used to implement some special initialization functions required by a control scheme. This block will normally participate in a feedforward path. The FOLLOW parameter is used to cause the block to perform tracking functions whereby the output is forced to track the input whenever the FOLLOW parameter is set true.

The LAG\_TIME parameter specifies the time constant for the block. Based on a step change to the input this is the time to reach 63.2% of the final value. Normally, it requires five time constants to reach the final value based on a first order function applied to the input. The LEAD\_TIME parameter specifies the gain or impulse applied to the input parameter. The generalized form of the equation describing the action is as follows:

$$(T_1s+1)/(T_2s+1)$$

where:

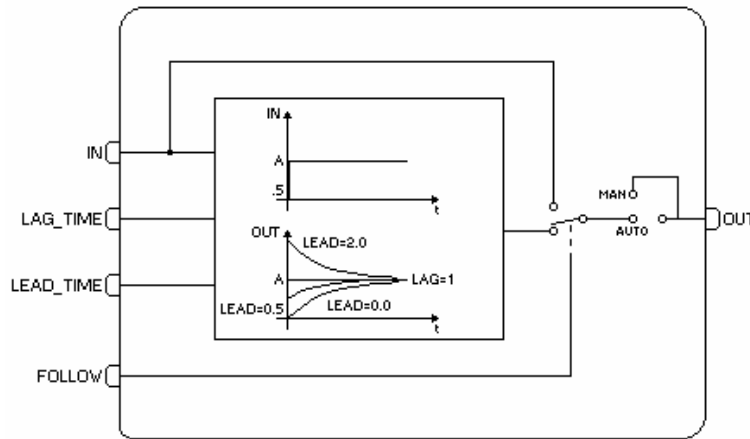
T<sub>1</sub> = Lead time Constant

T<sub>2</sub> = Lag Time Constant

### Supported Modes

O/S, MAN and AUTO.

### Schematic



### Parameters

| Idx | Parameter | Data Type (length) | Valid Range/ Options | Default Value | Units | Store / Mode | Description        |
|-----|-----------|--------------------|----------------------|---------------|-------|--------------|--------------------|
| 1   | ST_REV    | Unsigned16         |                      | 0             | None  | S/RO         |                    |
| 2   | TAG_DESC  | OctString(32)      |                      | Spaces        | Na    | S            |                    |
| 3   | STRATEGY  | Unsigned16         |                      | 0             | None  | S            |                    |
| 4   | ALERT_KEY | Unsigned8          | 1 to 255             | 0             | None  | S            |                    |
| 5   | MODE_BLK  | DS-69              |                      | O/S           | Na    | S            | See Mode Parameter |
| 6   | BLOCK_ERR | Bitstring(2)       |                      |               | E     | D/RO         |                    |



| Idx | Parameter   | Data Type (length) | Valid Range/ Options | Default Value | Units | Store / Mode | Description  |
|-----|-------------|--------------------|----------------------|---------------|-------|--------------|--|
| 7   | OUT         | DS-65              |                      |               | OUT   | D            | The primary analog value calculated as a result of executing the function.   |
| 8   | OUT_UNITS   | Unsigned16         |                      | 0             | E     | S            | The maximum tolerated duration for power failure.  |
| 9   | GRANT_DENY  | DS-70              |                      | 0             | Na    | D            | Options for controlling access of host computer and local control panels to operating, tuning and alarm parameters of the block.   |
| 10  | STATUS_OPTS | Bitstring(2)       | See Block Options    | 0             | Na    | S / O/S      | See Block Options  |
| 11  | IN          | DS-65              |                      |               |       | D            | The primary input value of the block, required for blocks that filter the input to get the PV.   |
| 12  | FOLLOW      | DS-66              | True=follow          |               | Na    | D            | Tracking input, when true causes the output to track the input.  |
| 13  | LAG_TIME    | DS-65              |                      |               | Sec   | D            | Specifies the lag time constant for the block. Based on a step change to the input this is the time to reach 63.2% of the final value.   |
| 14  | LEAD_TIME   | DS-65              |                      |               | Sec   | D            | Specifies the lead time constant applied to the input parameter.   |
| 15  | BAL_TIME    | Float              | Positive             | 0             | Sec   | S            | This specifies the time for the internal working value of bias or ratio to return to the operator set bias or ratio, in seconds.   |
| 16  | OUTAGE_LIM  | Float              | Positive             | 0             | Sec   | S            | The maximum tolerated duration for power failure. This feature is not supported.   |
| 17  | UPDATE_EVT  | DS-73              |                      |               | na    | D            | This alert is generated by any change to the static data.  |
| 18  | BLOCK_ALM   | DS-72              |                      |               | na    | D            | The block alarm is used for all configuration, hardware, connection failure or system problems in the block. The cause of the alert is entered in the subcode field. The first alert to become active will set the Active status in the Status attribute. As soon as the Unreported status is cleared by the alert reporting task, another block alert may be reported without clearing the Active status, if the subcode has changed. |

Legend: E – Enumerated parameter; Na – Adimensional parameter; RO – Read only; D – dynamic; N – non-volatile; S - static

Gray Background Line: Default Parameters of Syscon

If DIAG.BEHAVIOR parameter is “Adapted”:

The required mode for writing is the actual mode, regardless the target mode: OUT.

## OSDL - Output Signal Selector and Dynamic Limiter

### Description

The output signal selector and dynamic limiter block (OSDL) provides two different algorithms types:

As Output Selector the cascade input may be routed for one of two outputs based on the value of the OP\_SELECT input parameter. The output not selected may have two ways: keeping the last value when not selected, or receive a internal value.

As Dynamic Limiter the cascade input is transferred to both output, but it is limited by the secondary inputs multiplied by a gain, plus a bias. The Dynamic LIMITER is extremely useful in one of its most important applications: combustion control with double cross limits.

The OSDL\_TYPE parameter determines the algorithm used by the OSDL block. In order to change the OSDL\_TYPE the block must be in Out of Service mode.

### Output Signal Selector

The SP value may be controlled by an operator (Auto mode) or through a cascade control (Cas mode). In the cascade control the SP is supplied by another function block through the CAS\_IN parameter. The inputs IN and IN\_1 are not applied to this algorithm. It means that the block ignores the status and values of IN and IN\_1 when the OSDL\_TYPE is Output Selector.

The OP\_SELECT is a discrete input parameter that selects one of two outputs to receive SP parameter. When the OP\_SELECT is zero, the OUT parameter receives the SP parameter. Otherwise the OUT\_1 parameter receives the SP parameter.

When the OP\_SELECT status is not usable, the block changes to Auto, but the algorithm goes on working with the unusable value.

Most of the times, the SP is transferred to the selected output whatever is the status. Therefore, an unusable value and status in the CAS\_IN will be reflected to the selected output. Only the status of upper cascade initialization will not be copied to the selected output.

### Handling the non-selected output

There are two ways to handle the non-selected output, if the "Keep last value if not selected" bit in OSDL\_OPTS parameter is true, the non-selected output will keep the last value. Otherwise, the outputs OUT and OUT\_1 will receive the value contained in the NOT\_SEL\_VAL and NOT\_SEL\_VAL\_1, respectively.

The non-selected output receives the uncertain status indicating to the downstream block that it is not selected any more. The configuration of the STATUS\_OPTS in the downstream block will define how to deal with it.

### IFS status propagation

If the "IFS only for selected output" bit in OSDL\_OPTS parameter is true, the fault state status will be propagated only to selected output. Otherwise the status GoodCascade -IFS is propagated to both outputs, that is the default configuration.

### Downstream block is not in cascade

If the downstream block of the selected output is not in cascade mode, the OSDL block goes to lman mode. And the status of BKCAL\_OUT will be GoodCascade – Not Invited, it will force the upstream block to lman mode too.

If the downstream block of the non-selected output is not in cascade mode, the OSDL block will ignore it.

### Dynamic Limiter

As a dynamic limiter algorithm, the outputs are the value of the "CAS\_IN" parameter limited by the following values:

OUT:

High limit = HI\_GAIN\_1 \* IN\_1 + HI\_BIAS\_1

Low limit = LO\_GAIN\_1 \* IN\_1 - LO\_BIAS\_1

OUT\_1:

High limit = HI\_GAIN \* IN + HI\_BIAS  
 Low limit = LO\_GAIN \* IN - LO\_BIAS

After the limitation, the parameters GAIN and GAIN\_1 are applied as gain for the outputs OUT and OUT\_1, respectively.

The normal mode of operation for the OSDL block is Cas, as well the two downstream blocks. If one downstream block is not in cascade mode, indicated by not invited status (NI) on its BKCAL\_OUT, the OSDL block still continues in cascade mode. Only if both downstream blocks are not in cascade, then the OSDL changes to Iman mode and its BKCAL\_OUT output changes to NI.

If the OSDL block is in Iman mode, when the cascade is initialized with a IR by a downstream block, the respective output (OUT or OUT\_1) sends a IA for the downstream block and the BKCAL\_OUT of the OSDL block receive the value of the respective BKCAL\_IN. The OSDL block remains in IMAN mode until the downstream cascade is initialized. Then OSDL block goes to Auto mode and it sends an IR to upstream block to initialize the cascade.

After a downstream cascade initialization, the corresponding output must ramp from the last BKCAL\_IN to the calculated value in BAL\_TIME seconds.

The required actions as a dynamic limiter algorithm are summarized in the following table:

| Mode target/actual | BKCAL_IN | BKCAL_IN1 | BKCAL_OUT | ACTION                              |
|--------------------|----------|-----------|-----------|-------------------------------------|
| Cas/Iman           | NI or IR | NI or IR  | NI        |                                     |
| Cas/Cas            | NI or IR | OK        | OK        | BKCAL_OUT receive the CAS_IN value  |
| Cas/Cas            | OK       | NI or IR  | OK        | BKCAL_OUT receive the CAS_IN value. |
| Cas/Cas            | OK       | OK        | OK        | BKCAL_OUT receive the CAS_IN value. |

**Legend: NI-not invited; IR-initialization request; OK-working in cascade**

Optionally, when the block is working as “Dynamic Limiter, it can choose if the return value for the upper block through the BKCAL\_OUT output will be SP, Out or OUT\_1, as showed below:

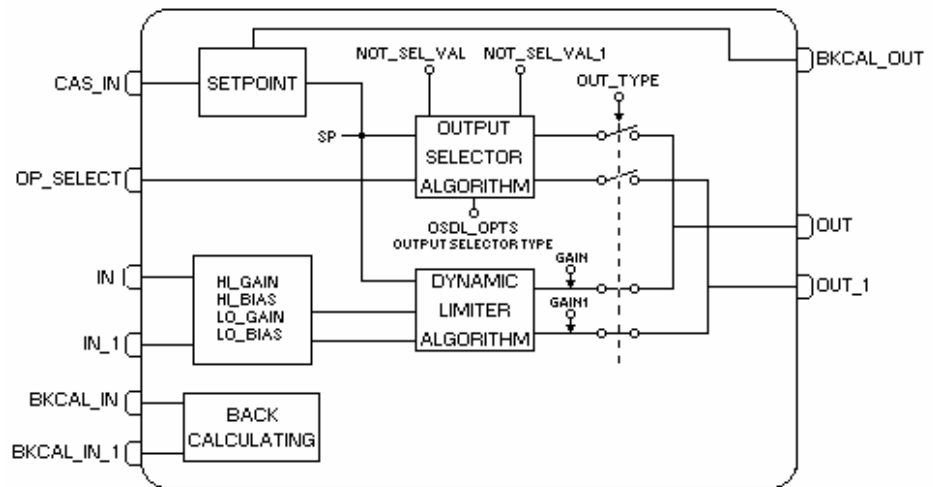
- BKCAL\_OUT = SP (default)
- BKCAL\_OUT = OUT (when OSDL\_OPTS = “Use OUT for BKCAL\_OUT”).
- BKCAL\_OUT = OUT\_1 (When OSDL\_OPTS = “Use OUT\_1 for BKCAL\_OUT\_1”).

#### **BLOCK\_ERR**

The BLOCK\_ERR of the OSDL block will reflect the following causes:

- Block Configuration Error – the configuration error occurs when the OUT\_TYPE parameter has an invalid value.
- Out of Service – When the block is in O/S mode.

**Schematic**



**Supported Modes**

O/S, IMAN, AUTO and CAS.

**Status Handling**

Standard, plus the following:

When one or both of the IN's input are Bad, special limiting action must be taken. If the "IFS if Bad IN\_x " or "IFS if Bad CAS\_IN " bit is true in the OSDL\_OPTS parameter and the respective input is Bad, both output status go to "good IFS". If the bit is not true, the block goes to AUTO mode.

Sub-Status values received in CAS\_IN will be passed onto both outputs, except for those used in the cascade initialization. An IFS will go to both the selected and the non-selected output.

**Parameters**

| Idx | Parameter  | Data Type (length) | Valid Range/ Options | Default Value | Units | Store/ Mode | Description  |
|-----|------------|--------------------|----------------------|---------------|-------|-------------|--|
| 1   | ST_REV     | Unsigned16         |                      | 0             | None  | S/RO        |  |
| 2   | TAG_DESC   | OctString(32)      |                      | Spaces        | Na    | S           |  |
| 3   | STRATEGY   | Unsigned16         |                      | 0             | None  | S           |  |
| 4   | ALERT_KEY  | Unsigned8          | 1 to 255             | 0             | None  | S           |  |
| 5   | MODE_BLK   | DS-69              |                      | O/S           | Na    | S           | See Mode Parameter   |
| 6   | BLOCK_ERR  | Bitstring(2)       |                      |               | E     | D/RO        |  |
| 7   | CAS_IN     | DS-65              |                      |               |       | D           | This parameter is the remote setpoint value, which must come from another Fieldbus block, or a DCS block through a defined link. |
| 8   | SP         | DS-65              |                      |               |       | N / Auto    | The analog set point.  |
| 9   | IN         | DS-65              |                      |               |       | D           | The primary input value of the block.  |
| 10  | IN_1       | DS-65              |                      |               |       | D           | Numbered input parameter 1.  |
| 11  | OP_SELECT  | DS-66              | 0 thru 4             |               | None  | D           | An operator adjustable parameter to force a given input to be used.  |
| 12  | OUT        | DS-65              |                      |               |       | D / RO      | The primary analog value calculated as a result of executing the function.   |
| 13  | OUT_1      | DS-65              |                      |               |       | D / RO      | Numbered output parameter 1.   |
| 14  | GRANT_DENY | DS-70              |                      | 0             | Na    | S / O/S     | Options for controlling access of host computer and local control panels to operating, tuning and alarm parameters of the block. |

| Idx | Parameter     | Data Type (length) | Valid Range/ Options  | Default Value | Units | Store/ Mode | Description   |
|-----|---------------|--------------------|---|---------------|-------|-------------|---|
| 15  | OUT_TYPE      | Unsigned8          | 0 : Invalid Value<br>1 : Output Selector<br>2 : Dynamic Limiter | 0             | E     | S / Man     | This parameter specifies the algorithm type that will be calculated.  |
| 16  | OSDL_OPTS     | Bitstring(2)       |   | 0             | Na    | S / O/S     | Option bit string for handling the block processing.  |
| 17  | HI_GAIN       | Float              |   | 1.1           | None  | S           | It is used to calculate the high limit for OUT_1. This gain multiplies IN before adding HI_BIAS.  |
| 18  | HI_BIAS       | Float              | Positive  | 0             |       | S           | It is used to calculate the high limit for OUT_1. This bias is added to IN after multiplying by HI_GAIN.  |
| 19  | LO_GAIN       | Float              |   | 0.9           | None  | S           | It is used to calculate the low limit for OUT_1. This gain multiplies IN before subtracting LO_BIAS.  |
| 20  | LO_BIAS       | Float              | Positive  | 0             |       | S           | It is used to calculate the low limit for OUT_1. This bias is subtracted of IN after multiplying by LO_GAIN.  |
| 21  | HI_GAIN_1     | Float              |   | 1.1           | None  | S           | It is used to calculate the high limit for OUT. This gain multiplies IN_1 before adding HI_BIAS_1.  |
| 22  | HI_BIAS_1     | Float              | Positive  | 0             |       | S           | It is used to calculate the high limit for OUT. This bias is added to IN_1 after multiplying by HI_GAIN_1.  |
| 23  | LO_GAIN_1     | Float              |   | 0.9           | None  | S           | It is used to calculate the low limit for OUT. This gain multiplies IN_1 before subtracting LO_BIAS_1.  |
| 24  | LO_BIAS_1     | Float              | Positive  | 0             |       | S           | It is used to calculate the low limit for OUT. This bias is subtracted of IN_1 after multiplying by LO_GAIN_1.  |
| 25  | GAIN          | Float              |   | 1             | None  | S           | Gain applied to OUT after limiting.   |
| 26  | GAIN_1        | Float              |   | 1             | None  | S           | Gain applied to OUT_1 after limiting.   |
| 27  | BKCAL_IN      | DS-65              |   |               |       | N           | The value and status from a lower block's BKCAL_OUT that is used to prevent reset windup and to initialize the control loop.                                      |
| 28  | BKCAL_IN_1    | DS-65              |   |               |       | N           | The back calculated input required to initialize a lower cascade 1.   |
| 29  | BKCAL_OUT     | DS-66              |   |               |       | D           | The value and status required by an upper block's BKCAL_IN so that the upper block may prevent reset windup and provide bumpless transfer to closed loop control. |
| 30  | BAL_TIME      | Float              |   | 0             | Sec   | S           | This specifies the time for the internal working value of bias or ratio to return to the operator set bias or ratio, in seconds.                                  |
| 27  | NOT_SEL_VAL   | Float              |   | 0             |       | S           | Contained parameter that will set the respective output when OUT is not selected by the OP_SELECT.  |
| 28  | NOT_SEL_VAL_1 | Float              |   | 0             |       | S           | Contained parameter that will set the respective output when OUT_1 is not selected by the OP_SELECT.  |
| 33  | UPDATE_EVT    | DS-73              |   |               | na    | D           | This alert is generated by any change to the static data.   |

| Idx | Parameter | Data Type (length) | Valid Range/ Options | Default Value | Units | Store/ Mode | Description  |
|-----|-----------|--------------------|----------------------|---------------|-------|-------------|--|
| 34  | BLOCK_ALM | DS-72              |                      |               | na    | D           | The block alarm is used for all configuration, hardware, connection failure or system problems in the block. The cause of the alert is entered in the subcode field. The first alert to become active will set the Active status in the Status attribute. As soon as the Unreported status is cleared by the alert reporting task, another block alert may be reported without clearing the Active status, if the subcode has changed. |

**Legend:** *E* – Enumerated parameter; *Na* – Adimensional parameter; *RO* – Read only; *D* – dynamic; *N* – non-volatile; *S* - static

**Gray Background Line:** Default Parameters of Syscon

**If DIAG.BEHAVIOR parameter is “Adapted”:**

The default value of OUT\_TYPE is “Dynamic limiter”.

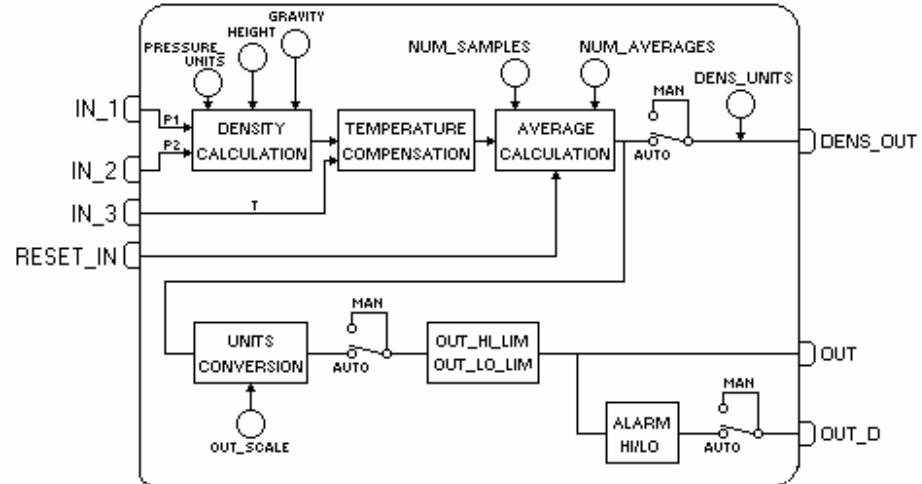
The required mode for writing is the actual mode, regardless the target mode: SP.

## DENS - Density

### Overview

This function block has an algorithm to calculate density in different kinds of engineering units, as Plato degree, Brix, TC and INPM.

### Schematic



### Description

The algorithm to calculate the density is based on the pressure in two points of the tank in a known difference height. The calculation is done using the average from the sensor pressure samples (the number of the samples is determined by the NUM\_SAMPLES parameter). Then, the previous density is calculated using the following formula:

$$D = \frac{\text{Conv\_factor} * (\overline{P_1} - \overline{P_2})}{\text{HEIGHT} * \text{GRAVITY}} \left[ \frac{\text{g}}{\text{cm}^3} \right]$$

Where in the formula above the average pressure is given by:

$$\overline{P_i} = \frac{\sum_{j=1}^{\text{NUM\_SAMPLES}} \text{IN}_i}{\text{NUM\_SAMPLES}} [\text{PRESSURE\_UNITS}]$$

Conv\_Factor is a factor to transform the formula coefficients in the same units.

HEIGHT and GRAVITY ≠ 0

The temperature is compensated in the density calculation. The DENS\_OUT parameter is the compensated density in g/cm<sup>3</sup>. The OUT parameter is the compensated density in a different engineering unit for chosen by the EU\_SEL parameter.

The density block provides alarm condition and the discrete alarm output to be used any block. If the density exceeds HI\_LIM or LO\_LIM an alarm is indicated in HI\_ALM or LO\_ALM and the output OUT\_D will be set to true. If one or both of the limit parameters are set +/- INF this indicate that this alarm is disabled.

The RESET\_IN is a discrete input, which on a false-to-true transition resets the density block, including the previous density, the round buffer and all outputs of the block. The status will be the same as the last cycle.

**BLOCK\_ERR**

The BLOCK\_ERR of the DENS block will reflect the following causes:

- Out of Service – it occurs when the block is in O/S mode.

**Supported Modes**

O/S, MAN and AUTO.

**Mode Handling**

Manual mode disconnects the outputs from the algorithm and permits manual substitution of the OUT, DENS\_OUT, OUT\_D values for test or other purposes. Although the OUT\_D parameter is also disconnected from the alarm, the alarm and the limits (OUT\_HI\_LIM and OUT\_LO\_LIM) continue to check the output.

**Status Handling**

The primary input status (IN\_1 and IN\_2 parameters) are propagated to the outputs.

If the status of any primary input becomes bad or uncertain and their respective option “use uncertain” of STATUS\_OPTS is not set, the actual mode block will be forced to manual and the algorithm stops the calculation.

If the secondary input (IN\_3 parameter) is unusable, the algorithm uses the last usable value and the output status will be Uncertain.

A bad status in RESET\_IN input does not stop the algorithm.

If target mode is Man then the output status is Good.

**Parameters**

| Idx | Parameter      | Data Type (length) | Valid Range/ Options                       | Default Value             | Units | Store/ Mode | Description   |
|-----|----------------|--------------------|--|---------------------------|-------|-------------|---|
| 4   | ST_REV         | Unsigned16         |  | 0                         | None  | S/RO        |   |
| 5   | TAG_DESC       | OctString(3 2)     |  | Spaces                    | Na    | S           |   |
| 6   | STRATEGY       | Unsigned16         |  | 0                         | None  | S           |   |
| 4   | ALERT_KEY      | Unsigned8          | 1 to 255                                   | 0                         | None  | S           |   |
| 5   | MODE_BLK       | DS-69              |  | O/S                       | Na    | S           | See Mode Parameter  |
| 6   | BLOCK_ERR      | Bitstring(2)       |  |                           | E     | D / RO      |   |
| 7   | OUT            | DS-65              | OUT_SCALE +/- 10%                          |                           | OUT   | D / Man     | The analog value calculated as a result of executing the function.  |
| 8   | OUT_SCALE      | DS-68              |  | 0-100%                    | OUT   | S / Man     | The high and low scale values to the OUT parameter.   |
| 9   | EU_SEL         | Unsigned8          | 0:Plato degree<br>1:Brix<br>2:TC<br>3:INPM | 0                         | E     | S / Man     | Selection of engineering unit for density.  |
| 10  | GRANT_DENY     | DS-70              |  | 0                         | na    | D           |   |
| 11  | STATUS_OPTS    | Bitstring(2)       | See Block Options                          | 0                         | Na    | S / O/S     | See Block Options   |
| 12  | IN_1           | DS-65              |  |                           |       | D           | The first input (pressure P1) must have the same engineering units of IN_2.   |
| 13  | IN_2           | DS-65              |  |                           |       | D           | The second input (pressure P2) must have the same engineering units of IN_1.  |
| 14  | IN_3           | DS-65              |  |                           |       | D           | The third input. (Temperature T in Degrees Celsius)   |
| 15  | PRESSURE_UNITS | Unsigned16         | See valid pressure units                   | 1144 (g/cm <sup>2</sup> ) | E     | S           | This is the pressure engineering unit of IN_1 and IN_2.   |
| 16  | HEIGHT         | Float              | Positive                                   | 1000.0                    | mm    | S           | Distance between the two pressure transmitters. The engineering units must be compatible to the inputs IN_1 and IN_2. If it is mmH2O, the EU of HEIGHT is mm. |



| Idx | Parameter    | Data Type<br>(length) | Valid Range/<br>Options                   | Default<br>Value | Units             | Store/<br>Mode | Description  |
|-----|--------------|-----------------------|---|------------------|-------------------|----------------|--|
| 17  | GRAVITY      | Float                 | Positive                                  | 9.80665          | m/s <sup>2</sup>  | S              | The gravity acceleration used in the density calculation, the EU of GRAVITY is m/s <sup>2</sup> .  |
| 18  | NUM_SAMPLES  | Unsigned16            | 1-1000                                    | 10               | Na                | S              | Number of samples.   |
| 19  | NUM_AVERAGES | Unsigned16            | 1-30                                      | 10               | Na                | S              | Number of averages in the round buffer.  |
| 20  | DENS_OUT     | DS-65                 |   |                  | g/cm <sup>3</sup> | D / Man        | The density compensated by the temperature.  |
| 21  | DENS_UNITS   | Unsigned16            |   | 1100             | g/cm <sup>3</sup> | S / RO         | This is the engineering unit of DENS_OUT that is fixed in g/cm <sup>3</sup> .  |
| 22  | OUT_D        | DS-66                 |   |                  |                   | D              | This is a discrete output parameter to indicate alarm state.   |
| 23  | RESET_IN     | DS-66                 |   |                  |                   | D              | When it is true, it resets the average calculation and it clears the round buffer of averages.   |
| 24  | OUT_HI_LIM   | Float                 |   | 100              | OUT               | S              | High limit for OUT.  |
| 25  | OUT_LO_LIM   | Float                 |   | 0                | OUT               | S              | Low limit for OUT.   |
| 26  | UPDATE_EVT   | DS-73                 |   |                  | Na                | D              | This alert is generated by any change to the static data.  |
| 27  | BLOCK_ALM    | DS-72                 |   |                  | Na                | D              | The block alarm is used for all configuration, hardware, connection failure or system problems in the block. The cause of the alert is entered in the subcode field. The first alert to become active will set the Active status in the Status attribute. As soon as the Unreported status is cleared by the alert reporting task, another block alert may be reported without clearing the Active status, if the subcode has changed. |
| 28  | ALARM_SUM    | DS-74                 |   |                  | Na                | S              | The current alert status, unacknowledged states, unreported states, and disabled states of the alarms associated with the function block.  |
| 29  | ACK_OPTION   | Bitstring(2)          | 0: Auto ACK Disable<br>1: Auto ACK Enable | 0                | Na                | S              | Selection of whether alarms associated with the block will be automatically acknowledged   |
| 30  | ALARM_HYS    | Float                 | 0 to 50 %                                 | 0.5%             | %                 | S              | Alarm hysteresis parameter. In order to clear the alarm the amount the PV must return within the alarm limit plus hysteresis.  |
| 31  | HI_PRI       | Unsigned8             | 0 to 15                                   |                  |                   | S              | Priority of the high alarm.  |
| 32  | HI_LIM       | Float                 | OUT_SCALE,<br>+INF                        | +INF             | OUT               | S              | The setting for high alarm in engineering units.   |
| 33  | LO_PRI       | Unsigned8             | 0 to 15                                   |                  |                   | S              | Priority of the low alarm.   |
| 34  | LO_LIM       | Float                 | OUT_SCALE, -<br>INF                       | -INF             | OUT               | S              | The setting for low alarm in engineering units.  |
| 35  | HI_ALM       | DS-71                 |   |                  | OUT               | D              | The status for high alarm and its associated time stamp.   |
| 36  | LO_ALM       | DS-71                 |   |                  | OUT               | D              | The status for low alarm and its associated time stamp.  |

Legend: E – Enumerated parameter; Na – Adimensional parameter; RO – Read only; D – dynamic; N – non-volatile; S - static

Gray Background Line: Default Parameters of Syscon

If DIAG.BEHAVIOR parameter is “Adapted”:

The required mode for writing is the actual mode, regardless the target mode : OUT, DENS\_OUT,

**Valid Pressure Units**

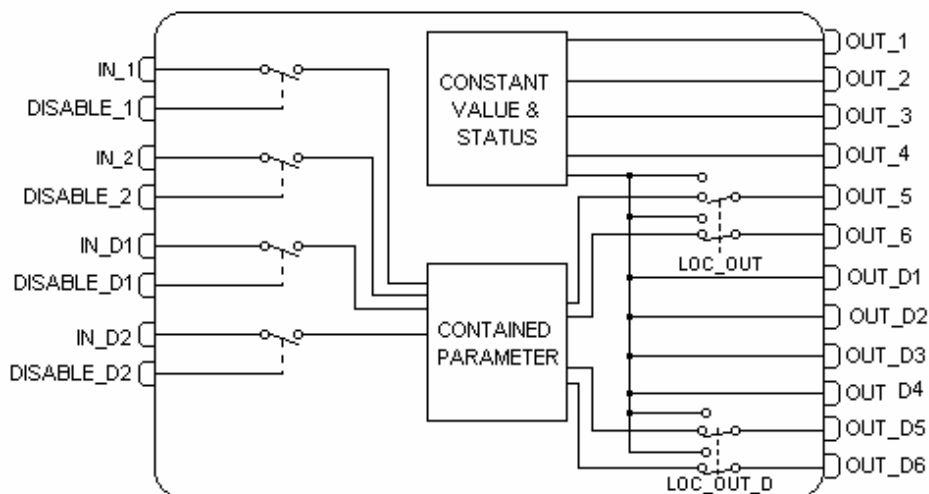
| Index | Unit    |
|-------|---------|
| 1130  | PA      |
| 1133  | KPA     |
| 1132  | MPA     |
| 1137  | BAR     |
| 1138  | MBAR    |
| 1139  | TORR    |
| 1140  | ATM     |
| 1141  | PSI     |
| 1144  | GCM2    |
| 1145  | KGCM2   |
| 1148  | INH20   |
| 1147  | INH204C |
| 1151  | MMH20   |
| 1150  | MMH204C |
| 1154  | FTH20   |
| 1156  | INHG    |
| 1158  | MMHG    |

## CT – Constant

### Overview

The Constant function block generates constant values to use in input parameters of other blocks. It can also read/write in contained parameters of other blocks into the same device.

### Schematic



### Description

The Constant function block has two functions:

- As Constant:

It generates constant values to use in input parameters of other blocks. This block allows up to 6 discrete constant and 6 analogical constant.

- As Contained RW:

The input writes in contained parameters of any other block into the same device.

The output reads data of the contained parameters of any other block into the same device.

### Generating Constant Values for other Blocks

This block can generate up to six discrete outputs and 6 analogic outputs, where:

- The OUT\_1 to OUT\_4 and OUT\_D1 to OUT\_D4 outputs become available in the output the constant values of CT\_VAL<sub>xx</sub> and CT\_STATUS<sub>xx</sub>.
- The OUT\_5, OUT\_6, OUT\_D5 and OUT\_D6 outputs have the feature Reading of Contained Parameter of other blocks and are associated with the LOC\_OUT<sub>xx</sub> parameter. If these parameters are not configured, the output will show the CT\_VAL<sub>xx</sub> and CT\_STATUS<sub>xx</sub> constant values.

If the Mode is Man, it is allowed the manual substitution of all output values. In the Auto mode, the output values are the respective constant values.

### Reading or Writing from/to Contained Variables of other blocks

The writing and/or reading in the contained parameters of other blocks is associated to the block execution in the Auto mode.

### Input Treatment – Writing in Contained Parameters

During the block execution in the Auto mode, the block writes the value of the IN<sub>xx</sub> parameter in a parameter<sup>1</sup> of any other block in the same device.

The value will be written in the parameter configured in the following situations:

- While the value had a usable value in the IN<sub>xx</sub> input (i.e., IN<sub>xx</sub> Status was Good or Uncertain and the option “Use Uncertain as Good” in STATUS\_OPTS was set).
- The DISABLE\_IN<sub>xx</sub> input is usable and with FALSE value, or when the IN<sub>xx</sub> input was with an usable value.

- For the IN\_Dx inputs will just be done the writing when the actual value was different of the previous. This avoids cyclical writing in static parameters which causes a cyclical increment of the ST\_REV and event generation by the UPD\_EVT.
- For the IN\_x inputs will just be done the writing when the actual value was upper or lower that DEAD\_BAND\_x. In this range would not have writing in the parameter. When the DEAD\_BAND\_X parameter is equal zero, it means continued writing.

If the writing does not accomplish in the desired block, the input with failure will be indicated in the BAD\_STATUS parameter.

**Output Treatment – Reading of the Contained Parameters**

During the block execution in the Auto mode, the block reads the parameter<sup>1</sup> value of any other block in the same device and become available in the OUT\_xx.VALUE parameter. The Ouput status will be GoodNonCascade in this case.

If the block does not read the parameter, the correspondet output with failure will be indicated in the BAD\_STATUS parameter, and also OUT\_xx.STATUS = Bad No Comm.

When the LOC\_OUT\_xx parameter was not configured (BLOCK\_TAG = Spaces or the RelativeIndex is equal a zero and the SubIndex is equal zero), thus the OUT\_xx output makes available the correspondent constatnt value and status (CT\_VAL\_xx and CT\_STATUS\_xx).

**Configuration of Contained Parameter to be Read/Write**

To address the contained parameter, the respective input or output will have a LOC\_xxx parameter composed of the following structure (DS-262):

| E | Element Name  | Data Type         | Size | Description  |
|---|---------------|-------------------|------|--|
| 1 | BlockTag      | VisibleString(32) | 32   | Block Tag for monitoring (this tag is case sensitive).   |
| 2 | RelativeIndex | Unsigned16        | 2    | Relative Index of parameter.   |
| 3 | SubIndex      | Unsigned8         | 1    | Parameter subindex started by 1. When the parameter is a structure (DS_xxx), it indicates the number of the structure element. When it was a Bitstring parameter, it indicates the byte of the parameter to be considered. In simple parameters, this sub index is not considered. |

The input/output is considered **NOT CONFIGURED** when the **BlockTag** was **blank** or the **RelativeIndex** and the SubIndex was equal **zero**.

When there was a configuration error in the contained parameter, the correspondent bit of the input/output in CONFIG\_STATUS will be set and the BLOCK\_ERR will indicate “Configuration Error”.

<sup>1</sup>The reading or writing is not supported in all parameter types. The table below summarizes the operations supported by the block:

| Parameter Input/Output | Data Type  | Direction             |                       | Data Type of/ Parameter of Other Supported Block   |
|------------------------|------------|-----------------------|-----------------------|--|
|                        |            | From                  | To                    |  |
| IN_x                   | Float      | In_x                  | Other Block Parameter | Boolean *<br>Float<br>Integer8 *<br>Integer16 *<br>Integer32<br>Unsigned8 *<br>Unsigned16 *<br>Unsigned32<br>Bitstring * |
| In_Dx                  | Unsigned8  | In_Dx                 | Other Block Parameter | Boolean<br>Float<br>Integer8<br>Integer16<br>Integer32<br>Unsigned8<br>Unsigned16<br>Unsigned32<br>Bitstring *           |
| Out_x                  | Float      | Other Block Parameter | Out_x                 | Boolean<br>Float<br>Integer8<br>Integer16<br>Integer32<br>Unsigned8<br>Unsigned16<br>Unsigned32<br>Bitstring             |
| Out_Dx                 | Unsigned8* | Other Block Parameter | Out_Dx                | Boolean<br>Float<br>Integer8<br>Integer16<br>Integer32<br>Unsigned8<br>Unsigned16<br>Unsigned32<br>Bitstring             |

**Note 1:** The data type assigned with \* means the block will cut the values out of range of the correspondent type:

- Unsigned 8 / Bitstring – 0 to 255
- Integer 8 – (-127) a (+127)
- Boolean – 0 and 1
- Unsigned16 – 0 to 65535
- Integer16 – (-32767) to (+32767)

**Note 2:** For the BitString type, the Subindex identifies the correspondent Byte.

**Note 3:** The reading or writing in contained parameters are not supported in the same block Constant.

#### Supported modes

O/S, MAN, AUTO

#### Parameters

| Idx | Parameter | Data Type (length) | Valid Range/ Options | Default Value | Units | Store / Mode | Description        |
|-----|-----------|--------------------|----------------------|---------------|-------|--------------|--------------------|
| 1   | ST_REV    | Unsigned16         |                      | 0             | None  | S/RO         |                    |
| 2   | TAG_DESC  | OctString(32)      |                      | Spaces        | Na    | S            |                    |
| 3   | STRATEGY  | Unsigned16         |                      | 0             | None  | S            |                    |
| 4   | ALERT_KEY | Unsigned8          | 1 to 255             | 0             | None  | S            |                    |
| 5   | MODE_BLK  | DS-69              |                      | O/S           | Na    | S            | See Mode Parameter |
| 6   | BLOCK_ERR | Bitstring(2)       |                      |               | E     | D/RO         |                    |

| Idx | Parameter   | Data Type (length) | Valid Range/ Options | Default Value | Units | Store / Mode | Description  |
|-----|-------------|--------------------|----------------------|---------------|-------|--------------|--|
| 7   | OUT_1       | DS-65              |                      |               |       | N / Man      | Numbered output 1.   |
| 8   | OUT_2       | DS-65              |                      |               |       | D / Man      | Numbered output 2.   |
| 9   | OUT_3       | DS-65              |                      |               |       | D / Man      | Numbered output 3.   |
| 10  | OUT_4       | DS-65              |                      |               |       | D / Man      | Numbered output 4.   |
| 11  | OUT_5       | DS-65              |                      |               |       | D / Man      | Numbered output 5. This output can have the value of a constant CT_VAL_xx or the value of a contained parameter from another block depends on if the LOC_OUT_5.  |
| 12  | OUT_6       | DS-65              |                      |               |       | D / Man      | Numbered output 6. This output can have the value of a constant CT_VAL_xx or the value of a contained parameter from another block depends on if the LOC_OUT_6.  |
| 13  | OUT_D1      | DS-66              |                      |               |       | N / Man      | Numbered discrete output 1.  |
| 14  | OUT_D2      | DS-66              |                      |               |       | D / Man      | Numbered discrete output 2.  |
| 15  | CT_VAL_1    | Float              |                      | 0             |       | S            | Analog constant value transferred to the output OUT_1.   |
| 16  | CT_VAL_2    | Float              |                      | 0             |       | S            | Analog constant value transferred to the output OUT_2.   |
| 17  | CT_VAL_3    | Float              |                      | 0             |       | S            | Analog constant value transferred to the output OUT_3.   |
| 18  | CT_VAL_4    | Float              |                      | 0             |       | S            | Analog constant value transferred to the output OUT_4.   |
| 19  | CT_VAL_5    | Float              |                      | 0             |       | S            | Analog constant value transferred to the output OUT_5.   |
| 20  | CT_VAL_6    | Float              |                      | 0             |       | S            | Analog constant value transferred to the output OUT_6.   |
| 21  | CT_VAL_D1   | Unsigned8          |                      | 0             |       | S            | Discrete constant value transferred to the output OUT_D1.  |
| 22  | CT_VAL_D2   | Unsigned8          |                      | 0             |       | S            | Discrete constant value transferred to the output OUT_D2.  |
| 23  | UPDATE_EVT  | DS-73              |                      |               | Na    | D            | This alert is generated by any change to the static data.  |
| 24  | BLOCK_ALM   | DS-72              |                      |               | Na    | D            | The block alarm is used for all configuration, hardware, connection failure or system problems in the block. The cause of the alert is entered in the subcode field. The first alert to become active will set the Active status in the Status attribute. As soon as the Unreported status is cleared by the alert reporting task, another block alert may be reported without clearing the Active status, if the subcode has changed. |
| 25  | CT_VAL_D3   | Unsigned8          |                      | 0             |       | S            | Discrete constant value transferred to the output OUT_D3.  |
| 26  | CT_VAL_D4   | Unsigned8          |                      | 0             |       | S            | Discrete constant value transferred to the output OUT_D4.  |
| 27  | CT_VAL_D5   | Unsigned8          |                      | 0             |       | S            | Discrete constant value transferred to the output OUT_D5.  |
| 28  | CT_VAL_D6   | Unsigned8          |                      | 0             |       | S            | Discrete constant value transferred to the output OUT_D6.  |
| 29  | CT_STATUS_1 | Unsigned8          |                      | GNC           |       | S            | Constant Status transferred to the output OUT_1.   |
| 30  | CT_STATUS_2 | Unsigned8          |                      | GNC           |       | S            | Constant Status transferred to the output OUT_2.   |
| 31  | CT_STATUS_3 | Unsigned8          |                      | GNC           |       | S            | Constant Status transferred to the output OUT_3.   |

| Idx | Parameter    | Data Type (length) | Valid Range/ Options | Default Value | Units | Store / Mode | Description   |
|-----|--------------|--------------------|----------------------|---------------|-------|--------------|---|
| 32  | CT_STATUS_4  | Unsigned8          |                      | GNC           |       | S            | Constant Status transferred to the output OUT_4.  |
| 33  | CT_STATUS_5  | Unsigned8          |                      | GNC           |       | S            | Constant Status transferred to the output OUT_5.  |
| 34  | CT_STATUS_6  | Unsigned8          |                      | GNC           |       | S            | Constant Status transferred to the output OUT_6.  |
| 35  | CT_STATUS_D1 | Unsigned8          |                      | GNC           |       | S            | Constant Status transferred to the output OUT_D1.   |
| 36  | CT_STATUS_D2 | Unsigned8          |                      | GNC           |       | S            | Constant Status transferred to the output OUT_D2.   |
| 37  | CT_STATUS_D3 | Unsigned8          |                      | GNC           |       | S            | Constant Status transferred to the output OUT_D3.   |
| 38  | CT_STATUS_D4 | Unsigned8          |                      | GNC           |       | S            | Constant Status transferred to the output OUT_D4.   |
| 39  | CT_STATUS_D5 | Unsigned8          |                      | GNC           |       | S            | Constant Status transferred to the output OUT_D5.   |
| 40  | CT_STATUS_D6 | Unsigned8          |                      | GNC           |       | S            | Constant Status transferred to the output OUT_D6.   |
| 41  | OUT_D_3      | DS-66              |                      |               |       | D/Man        | Numbered discrete output 3  |
| 42  | OUT_D_4      | DS-66              |                      |               |       | D/Man        | Numbered discrete output 4  |
| 43  | OUT_D_5      | DS-66              |                      |               |       | D/Man        | Numbered discrete output 5.This output can have the value of a CT_VAL_XX or the value of a contained parameter from another block depends on if the LOC_OUT_D5. |
| 44  | OUT_D_6      | DS-66              |                      |               |       | D/Man        | Numbered discrete output 6.This output can have the value of a CT_VAL_xx or the value of a contained parameter from another block depends on if the LOC_OUT_D6. |
| 45  | IN_1         | DS-65              |                      |               |       | D            | Analog input that writes to a contained parameter configured in the LOC_IN_1.   |
| 46  | DISABLE_1    | DS-66              |                      |               |       | D            | Disable the IN_1 writing in the correspondent contained parameter..   |
| 47  | LOC_IN_1     | DS-262             |                      |               |       | S / OOS      | Indicate which the contained parameter will be written by the IN_1 input.   |
| 48  | DEAD_BAND_1  | Float              |                      | 1.0           | IN_1  | S            | Dead band for the IN_1 input where the variation into this range would not cause writing in the block parameter.  |
| 49  | IN_2         | DS-66              |                      |               |       | D            | Analog input that writes to a contained parameter configured in the LOC_IN_2.   |
| 50  | DISABLE_2    | DS-66              |                      |               |       | D            | Disable the IN_2 writing in the correspondent contained parameter.  |
| 51  | LOC_IN_2     | DS-262             |                      |               |       | S / OOS      | Indicate which the contained parameter will be written by the IN_2 input.   |
| 52  | DEAD_BAND_2  | Float              |                      | 1.0           | IN_2  | S            | Dead band for the IN_2 input where the variation into this range would not cause writing in the block parameter.  |
| 53  | IN_D_1       | DS-66              |                      |               |       | D            | Discrete input that writes to a contained parameter configured in the LOC_IN_D1.  |
| 54  | DISABLE_D1   | DS-66              |                      |               |       | D            | Disable the IN_D1 writing in the correspondent contained parameter  |
| 55  | LOC_IN_D1    | DS-262             |                      |               |       | S / OOS      | Indicate which the contained parameter will be written by the IN_D1 input.  |

| Idx | Parameter     | Data Type (length) | Valid Range/ Options | Default Value | Units | Store / Mode | Description   |
|-----|---------------|--------------------|----------------------|---------------|-------|--------------|---|
| 56  | IN_D_2        | DS-66              |                      |               |       | D            | Discrete input that writes to a contained parameter configured in the LOC_IN_D2.  |
| 57  | DISABLE_D2    | DS-66              |                      |               |       | D            | Disable the IN_D2 writing in the correspondent contained parameter  |
| 58  | LOC_IN_D2     | DS-262             |                      |               |       | S / OOS      | Indicate which the contained parameter will be written by the IN_D2 input.  |
| 59  | LOC_OUT_5     | DS-262             |                      |               |       | S / OOS      | Indicates which contained parameter will be read for the OUT_5 output.  |
| 60  | LOC_OUT_6     | DS-262             |                      |               |       | S / OOS      | Indicates which contained parameter will be read for the OUT_6 output.  |
| 61  | LOC_OUT_D5    | DS-262             |                      |               |       | S / OOS      | Indicates which contained parameter will be read for the OUT_D5 output.   |
| 62  | LOC_OUT_D6    | DS-262             |                      |               |       | S / OOS      | Indicates which contained parameter will be read for the OUT_D6 output  |
| 63  | BAD_STATUS    | Bitstring(2)       |                      |               |       | D/RO         | Writing/reading status of the parameter. The set bit indicates the algorithm does not get read/write the specified "Block.Parameter". |
| 64  | CONFIG_STATUS | Bitstring(2)       |                      |               |       | D/RO         | Indicates which input or outpt is with configuration error.   |
| 65  | STATUS_OPTS   | Bitstring(2)       |                      |               |       | S / OOS      | See the parameter description in "Function Block Options".  |

Legend: E – Enumerated parameter; Na – Admensional parameter; RO – Read only; D – dynamic; N – non-volatile; S - static

Gray Background Line: Default Parameters of Syscon

If DIAG.BEHAVIOR parameter is "Adapted":

The required mode for writing is the actual mode, regardless the target mode: OUT\_1, OUT\_2, OUT\_3, OUT\_4, OUT\_5, OUT\_6, OUT\_D1 and OUT\_D2.

**BAD\_STATUS and CONFIG\_STATUS Bitstring**

| BIT | DESCRIPTION |
|-----|-------------|
| 0   | IN_1        |
| 1   | IN_2        |
| 2   | IN_D1       |
| 3   | IN_D2       |
| 4   | OUT_5       |
| 5   | OUT_6       |
| 6   | OUT_D5      |
| 7   | OUT_D6      |



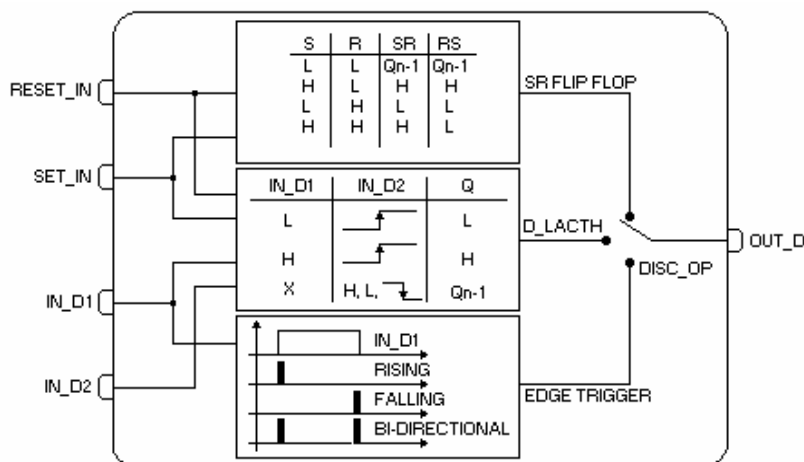
## FFET - Flip-Flop and Edge Trigger

### Overview

It can be configured to work as:

- SR flip-flop
- RS flip-flop
- D-latch
- Rising edge trigger
- Falling edge trigger
- Bi-directional edge trigger

### Schematic



### Description

The following tables summarize the block behavior:

| RESET_IN | SET_IN | OUT_D (SR flip-flop) | OUT_D (RS flip-flop) |
|----------|--------|----------------------|----------------------|
| L        | L      | $Q_{n-1}$            | $Q_{n-1}$            |
| H        | L      | L                    | L                    |
| L        | H      | H                    | H                    |
| H        | H      | H                    | L                    |

| RESET_IN | SET_IN | IN_D1          | IN_D2 | OUT_D (D-latch) |
|----------|--------|----------------|-------|-----------------|
| L        | H      | X              | X     | H               |
| H        | L      | X              | X     | L               |
| H        | H      | X              | X     | H               |
| L        | L      | Rising         | L     | L               |
| L        | L      | Rising         | H     | H               |
| L        | L      | H,L or Falling | X     | $OUT_{D_{n-1}}$ |

| RESET_IN | SET_IN | IN_D1         | OUT_D (Rising Edge) | OUT_D (Falling Edge) | OUT_D (Bi-directional) |
|----------|--------|---------------|---------------------|----------------------|------------------------|
| L        | L      | Rising        | H                   | L                    | H                      |
| L        | L      | Falling       | L                   | H                    | H                      |
| L        | L      | No transition | L                   | L                    | L                      |
| X        | H      | X             | H                   | H                    | H                      |
| H        | L      | X             | L                   | L                    | L                      |

### BLOCK\_ERR

The BLOCK\_ERR of the FFET block will reflect the following causes:

- Out of Service – When the block is in O/S mode.

### Supported Modes

O/S, MAN and AUTO.

Parameters

| Idx | Parameter   | Data Type (length) | Valid Range/ Options  | Default Value | Units | Store / Mode | Description  |
|-----|-------------|--------------------|---|---------------|-------|--------------|--|
| 1   | ST_REV      | Unsigned16         |   | 0             | None  | S/RO         |  |
| 2   | TAG_DESC    | OctString(32)      |   | Spaces        | Na    | S            |  |
| 3   | STRATEGY    | Unsigned16         |   | 0             | None  | S            |  |
| 4   | ALERT_KEY   | Unsigned8          | 1 to 255  | 0             | None  | S            |  |
| 5   | MODE_BLK    | DS-69              |   | O/S           | Na    | S            | See Mode Parameter   |
| 6   | BLOCK_ERR   | Bitstring(2)       |   |               | E     | D / RO       |  |
| 7   | DISC_OP     | Unsigned8          | 0 : SR flip-flop<br>1 : RS flip-flop<br>2 : D-latch<br>3 : rising edge<br>4 : falling edge<br>5 : bi-directional edge |               | E     | S / Man      | Selection of discrete operation.   |
| 8   | STATUS_OPTS | Bitstring(2)       |   |               |       | S / O/S      |  |
| 9   | IN_D1       | DS-66              |   |               |       | D            | Numbered discrete input 1.   |
| 10  | IN_D2       | DS-66              |   |               |       | D            | Numbered discrete input 2.   |
| 11  | SET_IN      | DS-66              | 0 : Off<br>1 : set  |               |       | D            | The set input.   |
| 12  | RESET_IN    | DS-66              | 0 : Off<br>1 : reset  |               |       | D            | The reset input.   |
| 13  | OUT_D       | DS-66              |   |               |       | N / Man      | The output of flip-flop.   |
| 14  | UPDATE_EVT  | DS-73              |   |               | Na    | D            | This alert is generated by any change to the static data.  |
| 15  | BLOCK_ALM   | DS-72              |   |               | Na    | D            | The block alarm is used for all configuration, hardware, connection failure or system problems in the block. The cause of the alert is entered in the subcode field. The first alert to become active will set the Active status in the Status attribute. As soon as the Unreported status is cleared by the alert reporting task, another block alert may be reported without clearing the Active status, if the subcode has changed. |

Legend: E – Enumerated parameter; Na – Adimensional parameter; RO – Read only; D – dynamic; N – non-volatile; S - static

Gray Background Line: Default Parameters of Syscon

If DIAG.BEHAVIOR parameter is “Adapted”:

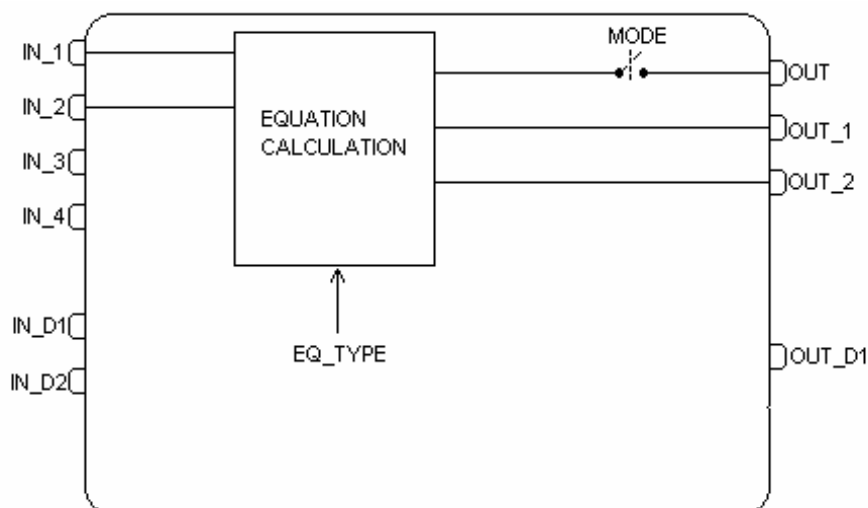
The required mode for writing is the actual mode, regardless the target mode : OUT\_D.

## AEQU – Advanced Equations

### Overview

This block was specially designed to support specific calculations.

### Schematic



### Description

As this block has a general purpose, some parameters may not be used by a selected equation. It follows a description of each equation type, as well the meaning of used parameters:

| Parameter                    | Description   | Inputs  | Configurable Parameters | Outputs   |
|------------------------------|---|---|-------------------------|---|
| <b>Ln x</b>                  | It calculates the natural logarithm   | <b>IN_1</b> : input to the function, x  | None                    | <b>OUT</b> : result of natural logarithm  |
| <b>Log x</b>                 | It calculates base 10 logarithm   | <b>IN_1</b> : input to the function, x  | None                    | <b>OUT</b> : result of base 10 logarithm  |
| <b>Exp x</b>                 | It calculates e to power of x   | <b>IN_1</b> : input to the function, x  | None                    | <b>OUT</b> : result of e to power of x  |
| <b>Dew point temperature</b> | It calculates the dew point temperature, water vapor saturation pressure (psia) and water vapor pressure (pw) | <b>IN_1</b> : dry bulb temperature (F)<br><b>IN_2</b> : relative humidity (percent) | None                    | <b>OUT</b> : dew point temperature<br><b>OUT_1</b> : water vapor saturation pressure (psia)<br><b>OUT_2</b> : water vapor pressure (pw)<br><b>Special</b> : Reserved option |

### BLOCK\_ERR

The BLOCK\_ERR of the AEQU block will reflect the following causes:

- Out of Service – When the block is in O/S mode.
- Block Configuration Error – When an abnormal result occurs (+/- INF, NaN).

### Supported modes

O/S, MAN, AUTO.

Parameters

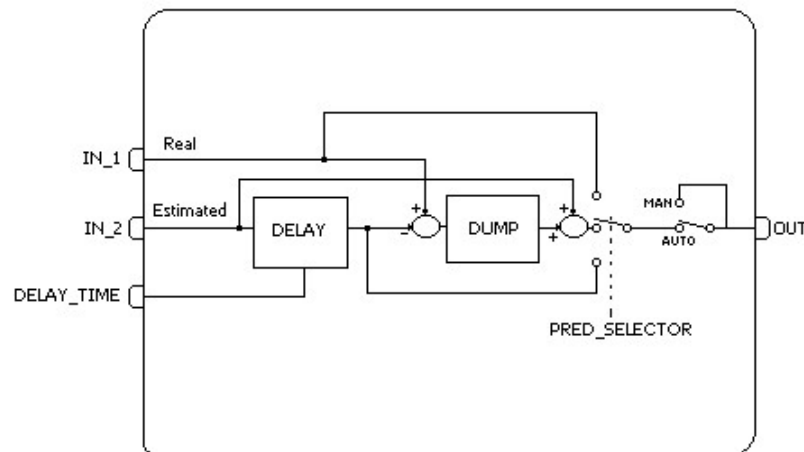
| Idx | Parameter  | Data Type (length) | Valid Range/ Options   | Default Value | Units | Store / Mode | Description  |
|-----|------------|--------------------|--|---------------|-------|--------------|--|
| 1   | ST_REV     | Unsigned16         |  | 0             | None  | S/RO         |  |
| 2   | TAG_DESC   | OctString(32)      |  | Spaces        | Na    | S            |  |
| 3   | STRATEGY   | Unsigned16         |  | 0             | None  | S            |  |
| 4   | ALERT_KEY  | Unsigned8          | 1 to 255   | 0             | None  | S            |  |
| 5   | MODE_BLK   | DS-69              |  | O/S           | Na    | S            | See Mode Parameter   |
| 6   | BLOCK_ERR  | Bitstring(2)       |  |               | E     | D/RO         |  |
| 7   | EQ_TYPE    | Unsigned8          | 0 : Ln x<br>1 : Log x<br>2 : Exp x<br>3 : Dew Point Temperature<br>255 : Special | 0             | E     | S / Man      | Equation type  |
| 8   | IN_1       | DS-65              |  |               |       | D            | Numbered input 1.  |
| 9   | IN_2       | DS-65              |  |               |       | D            | Numbered input 2.  |
| 10  | IN_3       | DS-65              |  |               |       | D            | Numbered input 3.  |
| 11  | IN_4       | DS-65              |  |               |       | D            | Numbered input 4.  |
| 12  | IN_D1      | DS-66              |  |               |       | D            | Numbered discrete input 1.   |
| 13  | IN_D2      | DS-66              |  |               |       | D            | Numbered discrete input 2.   |
| 14  | OUT        | DS-65              |  |               |       | D / Man      | Primary output.  |
| 15  | OUT_D1     | DS-66              |  |               |       | D / Man      | Numbered discrete output 1.  |
| 16  | OUT_1      | DS-65              |  |               |       | D / RO       | Numbered output 1.   |
| 17  | OUT_2      | DS-65              |  |               |       | D / RO       | Numbered output 2.   |
| 18  | CT_VAL_1   | Float              |  | 0             |       | S            | Constant value 1.  |
| 19  | CT_VAL_2   | Float              |  | 0             |       | S            | Constant value 2.  |
| 20  | CT_VAL_3   | Float              |  | 0             |       | S            | Constant value 3.  |
| 21  | CT_VAL_4   | Float              |  | 0             |       | S            | Constant value 4.  |
| 22  | CT_VAL_5   | Float              |  | 0             |       | S            | Constant value 5.  |
| 23  | CT_VAL_6   | Float              |  | 0             |       | S            | Constant value 6.  |
| 24  | CT_VAL_D1  | Unsigned8          |  | 0             |       | S            | Integer constant value 1.  |
| 25  | CT_VAL_D2  | Unsigned8          |  | 0             |       | S            | Integer constant value 2.  |
| 26  | OUT_HI_LIM | Float              |  | 100           | OUT   | S            | High limit for OUT.  |
| 27  | OUT_LO_LIM | Float              |  | 0             | OUT   | S            | Low limit for OUT.   |
| 28  | BLOCK_ALM  | DS-72              |  |               | Na    | D            | The block alarm is used for all configuration, hardware, connection failure or system problems in the block. The cause of the alert is entered in the subcode field. The first alert to become active will set the Active status in the Status attribute. As soon as the Unreported status is cleared by the alert reporting task, another block alert may be reported without clearing the Active status, if the subcode has changed. |

Legend: E – Enumerated parameter; Na – Adimensional parameter; RO – Read only; D – dynamic; N – non-volatile; S - static

Gray Background Line: Default Parameters of Syscon

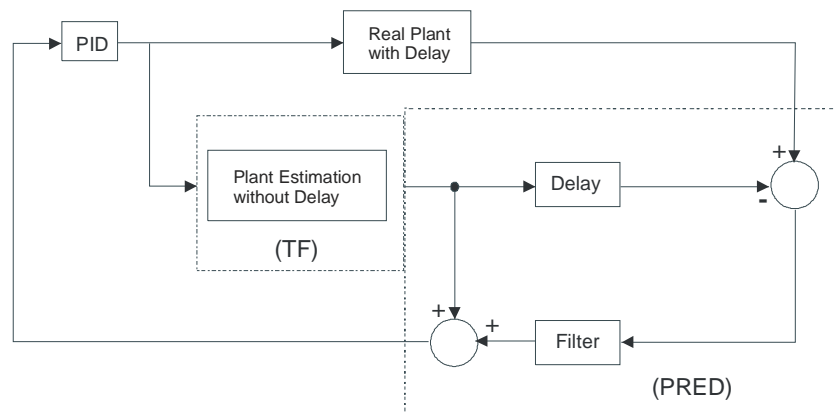
## PRED – Smith Predictor

### Schematic



### Description

The Predictor block is an implementation of the scheme below:



### Scheme using Smith Predictor

The Predictor block working with the Transfer Function block allow to the user to develop the control strategy using the PID block for controlling systems with respectable delays.

This block has three inputs and one output:

- **In\_1** – Input for the Real system with delay.
- **In\_2** – Input for the Plant Estimation without delay.
- **Delay Time** – Input providing the delay value, in seconds. This value can not be higher than the *Sample time*.
- **Out** – Block configurable output.

The block output can be configured by three different ways, according to the PRED\_SELECTOR parameter:

- **Bypass** – Output will have the same value of the IN\_1 input.
- **Delay** – Block will have only the delay function, if the signal was received by IN\_2 input.
- **Smith Predictor** – Block will have the Smith Predictor function.

The filter indicated above has the following configuration:

$$G(s) = \frac{1}{Ts + 1}$$

In the equation above, T coefficient is configured by user through the FILTER parameter.

**OS → Auto Transition**

When a block transition from OS to Auto occurs and the block is configured in Smith Predictor, this block will need a time (the same of the DELAY\_TIME) to store data, while this the block will work in the Bypass option.

**Supported Modes**

O/S, MAN and AUTO.

**Parameters**

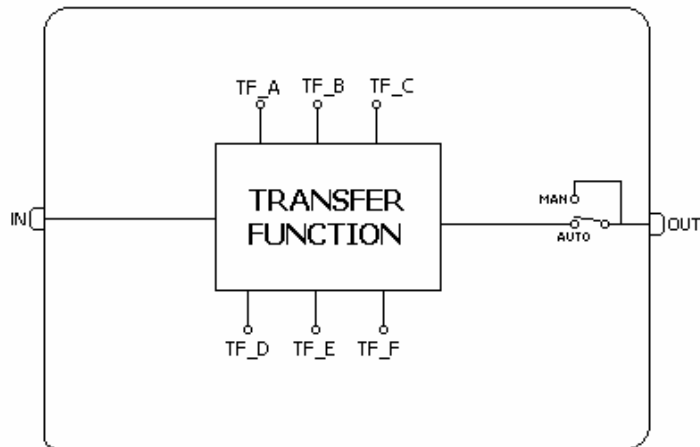
| Idx | Parameter        | Data type (length.) | Valid Range / Options                          | Default Value | Unids | Store /Mode | Description   |
|-----|------------------|---------------------|--|---------------|-------|-------------|---|
| 1   | ST_REV           | Unsigned16          |  | 0             | None  | S           |   |
| 2   | TAG_DESC         | OctString(32)       |  | Spaces        | Na    | S           |   |
| 3   | STRATEGY         | Unsigned16          |  | 0             | None  | S           |   |
| 4   | ALERT_KEY        | Unsigned8           | 1 to 255                                       | 0             | None  | S           |   |
| 5   | MODE_BLK         | DS-69               | O/S,MAN,AUTO                                   | O/S           | Na    | S           | See Mode parameter.   |
| 6   | BLOCK_ERR        | Bitstring(2)        |  |               | E     | D           |   |
| 7   | IN_1             | DS-65               |  |               |       | D           | Input for the Real system with delay.   |
| 8   | IN_2             | DS-65               |  |               |       | D           | Input for the Plant Estimation without delay.   |
| 9   | DELAY_TIME       | DS-65               |  |               | Sec   | D           | Input providing the delay value, in seconds.  |
| 10  | OUT              | DS-65               |  |               |       | D / Man     | Block configurable output.  |
| 11  | PRED_SELECTOR    | Unsigned8           | 0 = Bypass<br>1 = Delay<br>2 = Smith Predictor | 0             | E     | S           | Output selector:<br><b>Bypass</b> – Output will have the same value of the IN_1 input;<br><b>Delay</b> – The output will be the signal of the IN_2 input with delay.<br><b>Smith Predictor</b> – The output will be according to the Smith Predictor algorithm. |
| 12  | FILTER           | float               | Positive                                       | 0             | Sec   | S           | Parameter to configure the block filter.  |
| 13  | PRED_SAMPLE_TIME | float               | Positive                                       | 1             | Sec   | S           | Sample time to collect data.  |
| 14  | STATUS_OPTS      | Bitstring(2)        | Bit 2 – Uncertain as Good                      | 0             | Na    | S / OOS     | See Block Option.   |
| 15  | UPDATE_EVT       | DS-73               |  |               | Na    | D           | This alert is generated by any change to the static data.   |
| 16  | BLOCK_ALM        | DS-72               |  |               | Na    | D           |   |

Legend: E – Enumerated parameter; Na – Adimensional parameter; RO – Read only; D – dynamic; N – non-volatile; S - static

Gray Background Line: Default Parameters of Syscon

## TF – Transfer Function

### Schematic



### Description

The Transfer Function block (TF) must represent systems up to 2nd order, through the configuration of the coefficients A, B, C, D, E and F of the transfer function as:

$$G(s) = \frac{As^2 + Bs + C}{Ds^2 + Es + F}$$

This block has one output and one input.

### System Representation

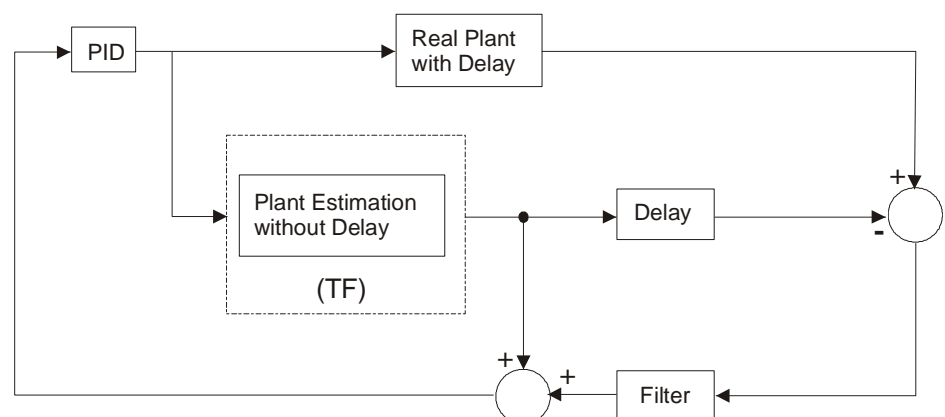
A system to be accomplished should have the denominator degree higher than the numerator degree, thus when D parameter was equal zero, A parameter must be zero too.

The parameters D and E can not be zero.

### TF Block Application

For systems with delay is difficult to control the system using only the PID controller. It is necessary to make a scheme that supplies to the PID the value of the process variable without delay. A scheme used is the *Predictor Smith* and its configuration is showed below:

To represent the plant estimation without delay, it is necessary to use the TF block.



**Scheme using Smith Predictor**

Another application which the TF block can be used is using the Constant block to make multimodel systems. One example of this application type is the conic tank, where it is possible to determine its operation points and for each point is possible to configure different transfer functions.

**Supported Modes**

O/S, MAN and AUTO.

**Parameters**

| Idx | Parameter   | Data type (length) | Valid Range/ Options      | Default Value | Units | Store/ Mode | Description   |
|-----|-------------|--------------------|---------------------------|---------------|-------|-------------|---|
| 1   | ST_REV      | Unsigned16         |                           | 0             | None  | S           |   |
| 2   | TAG_DESC    | OctString(32)      |                           | Spaces        | Na    | S           |   |
| 3   | STRATEGY    | Unsigned16         |                           | 0             | None  | S           |   |
| 4   | ALERT_KEY   | Unsigned8          | 1 to 255                  | 0             | None  | S           |   |
| 5   | MODE_BLK    | DS-69              | O/S,MAN,AUTO              | O/S           | Na    | S           | See Mode parameter.   |
| 6   | BLOCK_ERR   | Bitstring(2)       |                           |               | E     | D           |   |
| 7   | IN          | DS-65              |                           |               |       | D           | System analog input.  |
| 8   | OUT         | DS-65              |                           |               |       | D / Man     | System analog output.   |
| 9   | TF_A        | Float              |                           | 0.0           |       | S           | Transfer function coefficient.  |
| 10  | TF_B        | Float              |                           | 0.0           |       | S           | Transfer function coefficient.  |
| 11  | TF_C        | Float              |                           | 0.0           |       | S           | Transfer function coefficient.  |
| 12  | TF_D        | Float              |                           | 0.0           |       | S           | Transfer function coefficient.  |
| 13  | TF_E        | Float              |                           | 0.0           |       | S           | Transfer function coefficient.  |
| 14  | TF_F        | Float              |                           | 0.0           |       | S           | Transfer function coefficient.  |
| 15  | TF_BAL_TIME | Float              | Positive                  | 0.0           | Sec   | S           | Specifies the time from the last output value returning to the calculate algorithm value when the block is changing from Manual to Automatic Mode, providing bumpless start up. |
| 16  | STATUS_OPTS | Bitstring(2)       | Bit 2 : Uncertain as Good | 0             | Na    | S / OOS     | See Block options.  |
| 17  | UPDATE_EVT  | DS-73              |                           |               | Na    | D           | This alert is generated by any change to the static data.   |
| 18  | BLOCK_ALM   | DS-72              |                           |               | Na    | D           |   |

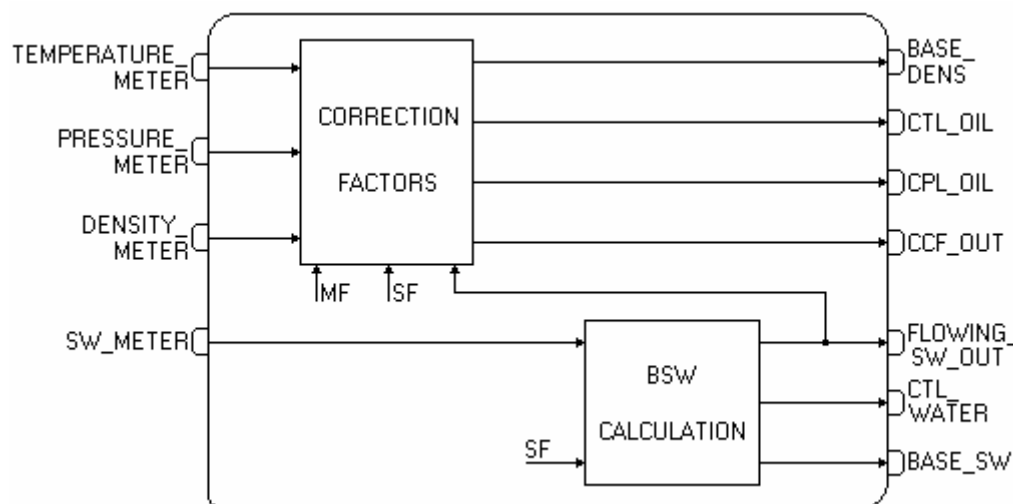
**Legend:** E – Enumerated parameter; Na – Adimensional parameter; RO – Read only; D – dynamic; N – non-volatile; S - static

**Gray Background Line: Default Parameters of Syscon**



## LCF – Liquid Correction Factors

### Schematic



### Description

This block calculates the correction factors (CTL, CPL and BSW in operation temperature) for liquid measurement.

### Identification of the measurement number – STRATEGY

It is mandatory to configure the STRATEGY parameter, because this block identifies the number of the measured flow which the calculated correction factor is related.

The quantity of the block instantiations is **not** limited to the maximum number of measured flows.

### Product Configuration

Using the PRODUCT\_TYPE parameter is possible to select the product type to be used in the calculation. There is also the selection of the density type in the DENSITY\_TYPE parameter, the application of the correction for the glass density meter (HYDROMETER\_CORRECTION) and the coefficient of Thermal Expansion in base temperature or equilibrium absolute pressure.

### CCF Calculation

If the FLOWING\_TEMP and DENSITY\_METER inputs are connected, the CTL\_OUT factor will be calculated. And if the FLOWING\_PRES input is also connected, the CPL\_OUT factor will be calculated too.

If the CALL\_BSW parameter is configured to accomplish the BSW calculation, thus:

$$CCF = CTL * CPL * MF * (1 - X_{w,m}) * SF$$

### Block Inputs

| Input             | Link Necessity | Description  |
|-------------------|----------------|--|
| TEMPERATURE_METER | mandatory      | Liquid flow temperature<br>If the system has an online density meter, the temperature which the density measurement is being accomplished must be lower than the variation of the acceptable limits related to the flow temperature in the flow meter. |
| PRESSURE_METER    | Optional       | Flow manometric pressure<br>If this input is not connected, CPL = 1.   |
| DENSITY_METER     | mandatory      | Density of the measured product (emulsão), which can be in the flow conditions or in base conditions, it depends on the DENSITY_TYPE configuration   |

**Block Outputs**

This block provides four outputs described below. In the applications which the CPL factor is not calculated and the PRESSURE\_METER input is not connected, thus the CPL\_OUT output will indicate 1.

| Output    | Description  | Value in the exception condition (*) |
|-----------|--|--------------------------------------|
| BASE_DENS | Density in base condition. It is defined by the LKD block. | DENSITY_METER                        |
| CTL_OUT   | Temperature Correction Factor                              | 1.0000                               |
| CPL_OUT   | Pressure Correction Factor                                 | 1.0000                               |
| CCF_OUT   | Combined Correction Factor                                 | 1.0000                               |

(\*) Situation which is impossible to accomplish the calculation. It can be because of the input status or it is out of range specified by the correspondent standard.

| TEMPERATURE_METER and DENSITY_METER | PRESSURE_METER | CALC_BSW                  | CCF   |
|-------------------------------------|----------------|---------------------------|---|
| No connected                        | -              | -                         | 1   |
| Connected                           | No connected   | None                      | CTL * MF                                      |
| Connected                           | Connected      | None                      | CTL * CPL * MF                                |
| Connected                           | No connected   | Dual range / Lab analysis | MF * (1 - X <sub>w,m</sub> ) * CTL * SF       |
| Connected                           | Connected      | Dual range / Lab analysis | MF * (1 - X <sub>w,m</sub> ) * CTL * CPL * SF |

The CCF\_OUT output results of the three factors multiplication (CTL, CPL and MF), if any calculation of these factors is impossible, thus the value in the exception conditions must be used.

**Temperature Correction Factor for Liquid Hydrocarbon (CTL\_OIL)**

The density used in the CTL calculation depends on the configuration, as indicated below:

| Density used  | Configuration  | Comments  |
|---------------|--|---|
| DENSITY_METER | There are two conditions: <ul style="list-style-type: none"> <li>CALC_BSW set to Dual range and LO_SW is 100%.</li> <li>CALC_BSW set to None.</li> </ul> | The dry oil density in operation or base conditions (configured in DENSITY_TYPE) indicated in DENSITY_METER input is used in the CTL_OIL calculation.             |
| LAB_DENS_OIL  | CALC_BSW set to Dual range and LO_SW is different of 100%.   | The DENSITY_METER input is the emulsion density (not compliant for the CTL_OIL calculation CTL_OIL), which is used for the DWS calculation in operation condition |
|               | CALC_BSW set to Lab analysis.  | The DENSITY_METER input is not used because the dry oil density must be obligatorily supplied for the BSW calculation.  |

For the measurement of crude oil, general products, MTBE and lubricant oil is used API-11.1 standard. For the measurement of light liquid hydrocarbon are used GPA-TP25 and GPA-TP15 standards.

**Compressibility Factor – F**

The Compressibility Factor for the measured liquid is calculated using the base density and flow temperature. If it is impossible to calculate the compressibility factor, the F parameter will be zero.

The CPL factor is calculated using compressibility factor, flow manometric pressure and equilibrium pressure.

If the selected product is water, the compressibility factor will be zero and the CPL factor is 1.

The standards used for the compressibility factor calculation are API-11.2.1 and API-11.2.1.M for crude oil, general products, MTBE and lubricant oil. For the measurement of light hydrocarbon liquid are used API-11.2.2 and API-11.2.2.M standards.

#### Meter factor – MF

If the meter is submitted to the proving, thus the meter factor value obtained must be written in the MF parameter. Otherwise, the default value of the MF parameter must be kept, that is, 1.

#### BSW Calculation– Dual range

If the CALC\_BSW parameter is set to “Dual range”, the FLOWING\_SW\_OUT parameter is the SW\_METER input, if this input was lower than LO\_SW. Otherwise, the BSW will be calculated using the result of laboratory analysis and emulsion density in flow condition.

If LO\_SW = 0.0, thus BSW will be always calculated

If LO\_SW = 100.0, thus the FLOW\_SW\_IN input will be always used.

#### Block Inputs

The inputs used are indicated below:

| Input             | Link Necessity | Descrição   |
|-------------------|----------------|---|
| TEMPERATURE_METER | mandatory      | Liquid flow temperature   |
| DENSITY_METER     | mandatory      | Density of the measured product which is must be in flow condition obligatorily for the Dual range option.  |
| SW_METER          | Optional       | Input with the value of the BSW measured online for values lower than the configured values in LO_SW parameter, up to the value of BSW will be used.<br>If this input is not connected, it will be ignored, thus the BSW will be always calculated. |

#### Output Blocks

| Outputs        | Description   |
|----------------|---|
| FLOWING_SW_OUT | If the value of the SW_METER input is lower than the LO_SW parameter, this output will follow the FLOW_SW_IN input. Otherwise, it will be calculated the value. |
| CTL_WATER      | Temperature correction factor for water.  |
| BASE SW        | BSW calculated for base temperature condition   |

#### BSW Calculation– LAB\_DENS\_OIL and LAB\_DENS\_WATER

The BSW is calculated using the dry oil and water densities in laboratory analysis condition, the density in flow condition and the flow temperature. All factors are measured online.

These calculations assume constant features (base density) of the oil and water made.

#### FLOWING\_SW\_OUT Calculation:

- It calculates :  $DENS_{\acute{o}leo,T} = f(DENS_{\acute{o}leo,T_{lab}}, T)$

Where :

$DENS_{\acute{o}leo,T}$  : dry oil density in flow temperature

$DENS_{\acute{o}leo,T_{lab}} = LAB\_DENS\_OIL$  : dry oil density in laboratory analysis temperature

T : flow temperature

- It calculates :  $DENS_{\acute{a}gua,T} = f(DENS_{\acute{a}gua,15/60}, T)$

Where :

$DENS_{\acute{a}gua,T}$  : water density in flow temperature

$DENS_{\acute{a}gua,lab} = LAB\_DENS\_WATER$  : water temperature in laboratory analysis temperature

T : flow temperature

- It calculates BSW<sub>T</sub> (FLOWING\_SW\_OUT parameter).

Where :

BSW<sub>T</sub>: BSW in flow temperature

$$BSW_T = \frac{DENS_{emuls\tilde{a}o,T} - DENS_{\acute{o}leo,T}}{DENS_{\acute{a}gua,T} - DENS_{\acute{o}leo,T}}$$

**BASE\_SW Calculation:**

- CTL<sub>A</sub> = f(DENS<sub>\acute{a}gua,15/60</sub>, Tb) is the CTL\_WATER parameter, which converts the volume in flow temperature to base temperature.
- CTL<sub>o</sub> = f(DENS<sub>\acute{o}leo,Tlab</sub>, Tlab,Tb), which converts the volume in laboratory analysis temperature to flow temperature
- It calculates BSW<sub>Tb</sub> (BASE\_SW parameter).

$$BSW_{Tb} = \frac{BSW_T * CTL_A}{BSW_T * CTL_A + (1 - BSW_T) * CTL_o}$$

**BSW Calculation – Lab analysis**

If the CALC\_BSW parameter is set to “Lab analysis”, the value of the FLOWING\_SW\_OUT output will be calculated using only the laboratory analysis results. This assumes the stability/regularity of the oil base density and BSW (changes occurred from the temperature changes and the difference of the water thermal expansion and oil thermal expansion coefficients).

This equation is calculated as indicated in the API-201 standard. – Allocation measurement, located in the B Appendix

**Block Inputs**

The input is :

| Input             | Link Necessity | Description              |
|-------------------|----------------|--------------------------|
| TEMPERATURE_METER | mandatory      | Liquid flow temperature. |

**Block Outputs**

| Outputs        | Description   |
|----------------|---|
| FLOWING_SW_OUT | Value calculated for the BSW parameter in flow condition. |
| CTL_WATER      | Temperature correction factor for water.                  |
| BASE SW        | BSW calculated for base temperature condition             |

**BSW – LAB\_DENS\_OIL, LAB\_DENS\_WATER and XWS Calculations**

The BSW is calculated using the laboratory analysis results: dry oil density, water density and BSW in laboratory analysis temperature. These calculations assume constant features (base density) for oil and water made.

**FLOWING\_SW\_OUT Calculation:**

The equation below must be calculated:

$$X_{w,m} = \frac{X_{w,lab} * (CTL_{w,lab} / CTL_{w,m})}{X_{w,lab} * (CTL_{w,lab} / CTL_{w,m}) + (1 - X_{w,lab}) * (CTL_{o,lab} / (CTL_{o,m} * SF))}$$

Where :

X<sub>w,m</sub>: BSW in flow condition

X<sub>w,lab</sub>: BSW in laboratory analysis condition

CTL<sub>w,lab</sub>: Temperature correction factor for water, from the temperature of the laboratory analysis to a 15 °Celsius temperature (LD\_UNITS= Kg/m<sup>3</sup>); or to a 60 Fahrenheit temperature (LD\_UNITS=API/SG).

CTL<sub>w,m</sub>: Temperature correction factor for water, from the flow temperature to a 15 °Celsius temperature (LD\_UNITS= Kg/m<sup>3</sup>), or to a 60 Fahrenheit temperature (LD\_UNITS=API/SG).

CTL<sub>o,lab</sub> : Temperature correction factor for oil, from the temperature of laboratory analysis to a 15 °Celsius temperature (LD\_UNITS= Kg/m<sup>3</sup>), or to a 60 Fahrenheit temperature (LD\_UNITS=API/SG).  
 CTL<sub>o,m</sub> : Temperature correction factor for oil, from the flow temperature to a 15 °Celsius temperature (LD\_UNITS= Kg/m<sup>3</sup>), or to a 60 Fahrenheit temperature (LD\_UNITS=API/SG).  
 SF : oil shrinkage temperature

### Diagnosing and Correcting Problems

1. BLOCK\_ERR. Block configuration: The Temperature or Density Inputs are not connected.
2. BLOCK\_ERR. Out of Service: LCF block can continue in Out of service mode, although the target mode is Auto, because the Resource block is in O/S.

### Special Indications for BATCH\_STATUS

“Abnormal Conditions” – Problems in the BSW calculation.

The input values for SW are out of range 0-100 % (caso CALC\_BSW =”Dual Range”).

### Supported Modes

O/S and AUTO.

### Parameters

| Idx     | Type/View | Parameter         | Data Type     | Valid Range / Options                     | Default Value | Units    | Store./ Mode | Description  |
|---------|-----------|-------------------|---------------|---|---------------|----------|--------------|--|
| 1       | 1,2,3,4   | ST_REV            | Unsigned16    |   | 0             | None     | S / RO       |  |
| 2       |           | TAG_DESC          | OctString(32) |   | Spaces        | Na       | S            | If this parameter is configured with a string other than blank spaces, then this parameter will replace the block tag in the QTR report. |
| 3 (A2)  | 4         | STRATEGY          | Unsigned16    | 0 to 4                                    | 0             | None     | S            | This parameter identifies the number of the measured flow.   |
| 4       | 4         | ALERT_KEY         | Unsigned8     | 1 to 255                                  | 0             | None     | S            |  |
| 5 (A1)  | 1,3       | MODE_BLK          | DS-69         |   | O/S           | Na       | S            | See Mode parameter.  |
| 6       | 1,3       | BLOCK_ERR         | Bitstring(2)  |   |               | E        | D / RO       |  |
| 7 (A2)  | I,1,3     | TEMPERATURE_METER | DS-65         |   |               | T_UNITS  | N / RO       | Temperature used to calculate the correction factor for the thermal expansion of a liquid.   |
| 8 (A2)  | I,1,3     | PRESSURE_METER    | DS-65         |   |               | P_UNITS  | N / RO       | Manometric pressure used to calculate the correction factor for the liquid compressibility.  |
| 9 (A2)  | I,1,3     | DENSITY_METER     | DS-65         |   |               | LD_UNITS | N / RO       | Density used to calculate the factors CPLm and CTLm.   |
| 10 (A2) | I,1,3     | SW_METER          | DS-65         |   |               | %        | N / RO       | Percentage of sand and water mixed in the oil.   |
| 11      | O,1,3     | BASE_DENS         | DS-65         |   |               | LD_UNITS | N / RO       | Base density of the dry oil. This parameter is calculated.   |
| 12      | O,1,3     | CTL_OIL           | DS-65         |   |               |          | N / RO       | Temperature Correction Factor.   |
| 13      | O,1,3     | CPL_OIL           | DS-65         |   |               |          | N / RO       | Pressure Correction Factor.  |
| 14      | O,1,3     | CCF_OUT           | DS-65         |   |               |          | N / RO       | Combined Correction Factor.  |
| 15      | O,1,3     | FLOWING_SW_OUT    | DS-65         |   |               | %        | N / RO       | Percentage calculated of sand and water mixed in the oil.  |
| 16      | O,1,3     | CTL_WATER         | DS-65         |   |               |          | N / RO       | Temperature Correction Factor.   |
| 17      | O,1,3     | BASE_SW           | DS-65         |   |               | %        | N / RO       | Percentage of sand and water mixed in the oil calculated in base conditions.   |
| 18 (A1) | 4         | BASE_PRESSURE     | Float         | 101.325 kPa<br>or<br>14.696 psi           | 101.325 kPa   | P_UNITS  | S            | Base pressure for the fluid according to the selected unit in the P_UNITS parameter.   |
| 19 (A1) | 4         | BASE_TEMPERATURE  | Float         | 15.0 °C<br>or<br>20.0 °C<br>or<br>60.0 °F | 15.0 °C       | T_UNITS  | S            | Base temperature for the fluid according to the selected unit in the T_UNITS parameter.  |

| Idx        | Type/<br>View | Parameter                 | Data Type    | Valid Range /<br>Options   | Default<br>Value  | Units     | Store./<br>Mode | Description   |
|------------|---------------|---------------------------|--------------|--|-------------------|-----------|-----------------|---|
| 20<br>(A1) | 4             | T_UNITS                   | Unsigned16   | 1000=Kelvin<br>1001=Celsius<br>1002=Fahrenheit<br>1003=Rankine   | Celsius           | E         | S               | Engineering Unit for temperature.   |
| 21<br>(A1) | 4             | P_UNITS                   | Unsigned16   | 1130=Pa<br>1132=Mpa<br>1133=kPa<br>1137=bar<br>1138=mbar<br>1139=torr<br>1140=atm<br>1141=psi<br>1144=g/cm <sup>2</sup><br>1145=kgf/cm <sup>2</sup><br>1147=inH2O 4°C<br>1148=inH2O 68<br>°F<br>1150=mmH2O<br>4°C<br>1151= mmH2O<br>68 °F<br>1154=ftH2O 68<br>°F | KPa               | E         | S               | Engineering Unit for static pressure  |
| 22<br>(A1) | 4             | LD_UNITS                  | Unsigned16   | 1097= Kg/m <sup>3</sup><br>1113=API<br>1599 = relative<br>density/SG   | Kg/m <sup>3</sup> | E         | S               | Engineering Unit for liquid density.<br>The selection of this unit indicates<br>which table uses for the correction<br>factor calculations (CTL and CPL).   |
| 23<br>(A2) | 4             | PRODUCT_TYPE              | Unsigned8    | 0=Crude<br>oil(Table suffix A)<br>1=Generalized<br>products (Table<br>suffix B)<br>2=MTBE (Table<br>suffix C)<br>3=Lubricating oil<br>(Table suffix D)<br>4=Water<br>5=Light<br>hydrocarbon<br>(NGL&LPG)   | 0                 | E         | S               | Product type.   |
| 24<br>(A2) | 4             | DENSITY_TYPE              | Unsigned8    | 1=Density at<br>base<br>2=Measured<br>density  | 1                 | E         | S               | Density type.   |
| 25<br>(A2) | 4             | HYDROMETER_CO<br>RRECTION | Unsigned8    | 0=No correction<br>1=Correction is<br>done   | 0                 | E         | S               | Hydrometer correction.  |
| 26<br>(A2) | 4             | COEF_OF_THERM<br>AL_EXP   | Float        | >= 0.0   | 0.0               |           | S               | If the selected product is MTBE, the<br>thermal expansion coefficient is in<br>base temperature.<br>If the selected product is Light<br>hydrocarbon, the absolute<br>equilibrium pressure is at 100 °F. |
| 27<br>(A2) | 2             | <b>MF</b>                 | <b>Float</b> | <b>0.8 to 1.2</b>  | <b>1.0</b>        | <b>Na</b> | <b>S</b>        | <b>MF used for the combined<br/>correction factor (CCF).</b>  |
| 28<br>(A2) | 4             | CALC_BSW                  | Unsigned8    | 0=None<br>1=Dual range<br>2=Lab analysis   | 0                 | Na        | S               | It selects one of the ways of<br>calculating the BSW.   |

| Idx        | Type/<br>View | Parameter          | Data Type    | Valid Range /<br>Options  | Default<br>Value | Units                 | Store./<br>Mode | Description   |
|------------|---------------|--------------------|--------------|---|------------------|-----------------------|-----------------|---|
| 29<br>(A2) | 2             | LO_SW              | Float        | 0.0 to 100.0<br>0.0 = Always<br>calculated<br>100.0 = Never<br>calculated | 0.0              | %                     | S               | Lower limit to calculate the BSW, if the "Dual range" option is selected in CALC_BSW.   |
| 30(A2<br>) | 2             | LAB_TEMP           | Float        |   | 15               | T_UNITS               | S               | Temperature which the laboratory analysis is accomplished to obtain the XWS.  |
| 31<br>(A2) | 2             | LAB_DENS_WATE<br>R | Float        | >= 0.0  | 1000             | LD_UNIT<br>S          | S               | Water density in laboratory analysis condition (LAB_TEMP).  |
| 32<br>(A2) | 2             | LAB_DENS_OIL       | Float        | >= 0.0  | 900              | LD_UNIT<br>S          | S               | Oil density in laboratory analysis condition (LAB_TEMP).  |
| 33<br>(A2) | 2             | LAB_SW             | Float        | 0 to 100  | 0                | %                     | S               | BSW value obtained in laboratory analysis condition (LAB_TEMP).   |
| 34<br>(A2) | 2             | SF                 | Float        | 1=disabled<br>0< SF <= 1  | 1                | Na                    | S               | Shrinkage factor obtained in laboratory analysis.   |
| <b>35</b>  | <b>3</b>      | <b>F</b>           | <b>Float</b> |   |                  | <b>1/P_UNI<br/>TS</b> | <b>N / RO</b>   | <b>Compressibility factor</b>   |
| 36         | 3             | STATUS_CURREN<br>T | Bitstring[2] | See Block<br>Options  | 0                | Na                    | N/ RO           | Current status. Similar to BATCH_STATUS.  |
| 37         |               | PE_TF              | Float        |   |                  | P_UNITS               | N / RO          | Equilibrium pressure in flow conditions.  |
| 38         |               | UPDATE_EVT         | DS-73        |   |                  | Na                    | D               | This alert is generated by any change to the static data.   |
| 39         |               | BLOCK_ALM          | DS-72        |   |                  | Na                    | D               | The block alarm is used for all configuration, hardware and connection failure, or system problems in the block. The cause of the alert is indicated in the subcode field. The first active alert will set the Active status in the Status attribute. When the Unreported status is removed by the alert reporting task, another block alert can be reported without clearing the Active status, if the subcode has been changed. |

**Legend:** E – Enumerated Parameter; NA – Adimensional Parameter; RO – Read Only; D – Dynamic; N – Non volatile;  
S – Static; I – Input Parameter; O – Output Parameter  
AA – Administrator Level; A1 – Level 1; A2 – Level 2  
RA – Restriction at Administration; R1 – Restriction Level 1; R – Restriction Level 2

**Gray Background Line: Default Parameters in Syscon**

## Modbus Function Blocks

### MBCF – ModBus Configuration

#### Overview

This block allows configuration of several communication parameters of the Modbus protocol.

#### Description

This block allows setting parameters of the communication between DFI302 and Modbus slave devices through Ethernet and serial (EIA232). User defines rate of transference of data of the serial ports, parity, timeout and number of retransmissions.

| Note  |
|---|
| Every time a MODBUS parameter is changed it is necessary to set the ON_APPLY parameter of the MBCF block to "Apply". Otherwise these alterations will not be effective. |

User must set ONLY one MBCF block for each device.

#### MODBUS Addresses

User must attribute a Modbus address to the DFI302. However this address cannot be the same of any other device in the Modbus network to whom it is connected in the serial and Ethernet mean. In this case user must set the parameter DEVICE\_ADDRESS. The default value of this parameter is 247.

In applications where the DFI302 acts as master TCP/IP user will have also to inform the IP address of the devices in the parameter SLAVE\_ADRESSES.

#### Parameters MASTER\_SLAVE and MEDIA

These parameters set the DFI302 behavior and media where the communication is done. In the MASTER\_SLAVE parameter is defined if the DFI302 will work as a slave or master MODBUS device. MEDIA may be serial or TCP/IP. It is necessary that DEVICE\_ADDRESS is unique within the MODBUS network.

#### Rate of transference of the serial ports

It is possible to select the baud rate of data in the serial ports. They may be set through the parameter BAUD\_RATE. It allows the selection among the following baud rates:

- 0:100 bps
- 1:300 bps
- 2:600 bps
- 3:1200 bps
- 4:2400 bps
- 5:4800 bps
- 6:9600 bps (default)
- 7:19200 bps
- 8:38400 bps
- 9:57600 bps
- 10:115200 bps

#### Parity

Parameter PARITY defines the type o parity to the serial ports.

- 0: No parity
- 1: Even Parity
- 2: Odd parity

#### Timeout, number of retransmissions

Timeout is the time waited for answer from a slave after a message having been sent to the serial port or Ethernet. The default value is 1000 ms, this parameter is directly connected with the parameter NUMBER\_RETRANSMISSIONS.

Number of retransmissions is the number of times the DFI302 will retry to establish communication with the slave device after not getting a reply. The time waited for this answer is set by the TIME\_OUT parameter. The number of retransmissions is chosen through the NUMBER OF RETRANSMISSIONS parameter. User may select a value in the range 0 to 255 to this parameter. The default value is 1.



## Parameters

| Idx | Parameter               | Data Type (length) | Valid Range/ Options  | Default Value | Units | Store/ Mode | Description  |
|-----|-------------------------|--------------------|---|---------------|-------|-------------|--|
| 1   | ST_REV                  | Unsigned16         |   | 0             | None  | S/RO        |  |
| 2   | TAG_DESC                | OctString(32)      |   | Spaces        | Na    | S           |  |
| 3   | STRATEGY                | Unsigned16         |   | 0             | None  | S           |  |
| 4   | ALERT_KEY               | Unsigned8          | 1 to 255  | 0             | None  | S           |  |
| 5   | MODE_BLK                | DS-69              |   | O/S           | Na    | S           | See Mode Parameter   |
| 6   | BLOCK_ERR               | Bitstring(2)       |   |               | E     | D / RO      |  |
| 7   | MEDIA                   | Unsigned8          | 0:Serial, 1:TCP/IP  | Serial        | E     | S           | Define the type of Modbus channel.   |
| 8   | MASTER_SLAVE            | Unsigned8          | 0:Master, 1:Slave   | Slave         | E     | S           | Define if DFI is master or slave.  |
| 9   | DEVICE_ADDRESS          | Unsigned8          | 0-247   | 1             | E     | S           | Define the DFI Modbus address (only for DFI slave).  |
| 10  | BAUD_RATE               | Unsigned8          | 0:110, 1:300, 2:600, 3:1200, 4:2400, 5:4800, 6:9600, 7:19200, 8:38400, 9:57600, 10:115200 | 19200         | E     | S           | Define the baud rate (only for media serial).  |
| 11  | STOP_BITS               | Unsigned8          | 0:1, 1:2  | 1             | E     | S           | Define the number of stop bits (only for media serial).  |
| 12  | PARITY                  | Unsigned8          | 0:None, 1:Even, 2:Odd.  | Even          | E     | S           | Define the parity (only for media serial).   |
| 13  | TIMEOUT                 | Unsigned16         | 0-65535   | 1000          | ms    | S           | Time value to wait a response from a slave (for DFI master), or time to wait the OUTs are updated (for DFI slave).   |
| 14  | NUMBER_RETRANS MISSIONS | Unsigned8          | 0-255   | 1             |       | S           | Number of retransmission if DFI doesn't receive response from slave.   |
| 15  | SLAVE_ADDRESSES         | DS-263             |   |               |       | S           | IP number and Modbus addresses of slaves (only for DFI master in TCP/IP media);  |
| 16  | RESTART_MODBUS          | Boolean            |   | FALSE         |       | S           | Not used.  |
| 17  | TIME_TO_RESTART         | Unsigned16         | 1-65535   | 1             | s     | S           | When the device is working as master, it is the time between the periodic scan that commands.  |
| 18  | RTS_CTS                 | Boolean            |   | FALSE         |       | S           | Enable or not handshaking.   |
| 19  | ON_APPLY                | Unsigned8          | 0:None, 1: Apply  | None          | E     | S           | Apply the changes made in the Modbus blocks.   |
| 20  | CHECK_COMM_STANDBY      | Unsigned8          | 0 ~ 255   | 0             | NA    | S / RW      | It configures for the Standby if it will test the Modbus communication with the slave devices.<br><br>0: Disable test.<br>1 – 255: Enable test defining the time interval between each test (s). |

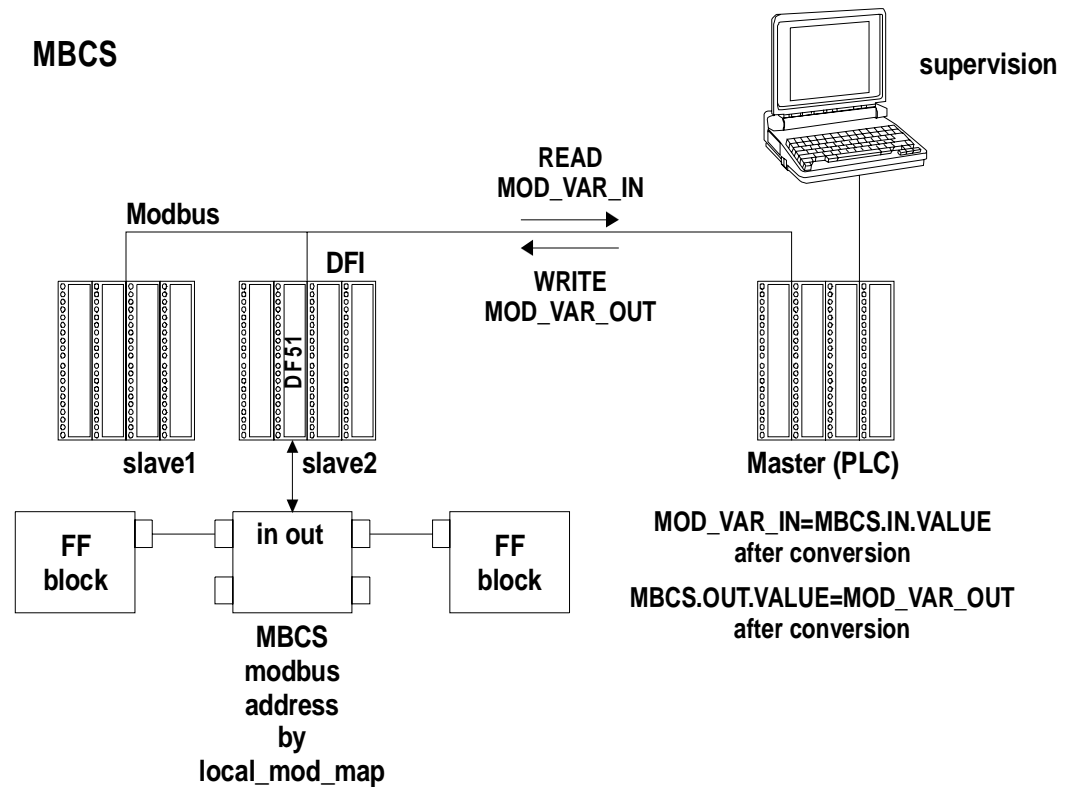
Legend: E – Enumerated parameter; Na – Adimensional parameter; RO – Read only; D – dynamic; N – non-volatile; S – Static

Gray Background Line: Default Parameters of Syscon

## MBCS – ModBus Control Slave

### Overview

#### MBCS



### Description

MBCS block generates a communication strategy between a MODBUS master and a FIELDBUS FOUNDATION slave. In the present case, the slave is the Smar's linking device DFI302 that has slave behavior for the MODBUS network. It allows MODBUS variables to be associated with FIELDBUS variables and data between these two "worlds" to be exchanged through DFI302.

#### Note

Every time a MODBUS parameter is changed it is necessary to set the ON\_APPLY parameter of the MBCF block to "Apply". Otherwise these alterations will not be effective.

### Inputs and Outputs

This block has 4 digital inputs, 4 analog inputs, 4 digital outputs and 4 analog outputs that may be connected to other FIELDBUS function blocks or to the MODBUS world.

- IN1, IN2, IN3 and IN4 are analog inputs.
- IN\_D1, IN\_D2, IN\_D3 and IN\_D4 are digital inputs.
- OUT1, OUT2, OUT3 and OUT4 are analog outputs.
- OUT\_D1, OUT\_D2, OUT\_D3 and OUT\_D4 are digital outputs.

Digital outputs and Digital inputs are of the DS-66 data type. Thus they contain both a Status and a value (both Unsigned 8). The analog outputs and inputs are of the DS-65 data type, containing status and value as well. Type of values is Float. For more details (see on Chapter 1, "Data Type and Data Structure Definition")

### Parameter LOCAL\_MOD\_MAP

This parameter defines the address range of the MODBUS addresses attributed to the input and output FIELDBUS variables of the MBCS block. In order to set this parameter properly user needs first to check the tables below:

| LOCAL_MOD_MAP (MBCS) |  |                             |
|----------------------|--|-----------------------------|
| PARAMETER            | LOCAL_MOD_MAP = x<br>OFFSET = 40 * x<br>x = 0 ~ 15 | e.g.<br>LOCAL_MOD_MAP<br>=1 |
| IN1-Value            | 40001+ OFFSET<br>40002+ OFFSET                     | 40041<br>40042              |
| IN2-Value            | 40003+ OFFSET<br>40004+ OFFSET                     | 40043<br>40044              |
| IN3-Value            | 40005+ OFFSET<br>40006+ OFFSET                     | 40045<br>40046              |
| IN4-Value            | 40007+ OFFSET<br>40008+ OFFSET                     | 40047<br>40048              |
| OUT1-Value           | 40009+ OFFSET<br>40010+ OFFSET                     | 40049<br>40050              |
| OUT2-Value           | 40011+ OFFSET<br>40012+ OFFSET                     | 40051<br>40052              |
| OUT3-Value           | 40013+ OFFSET<br>40014+ OFFSET                     | 40053<br>40054              |
| OUT4-Value           | 40015+ OFFSET<br>40016+ OFFSET                     | 40055<br>40056              |
| IN1-Status           | 40017+ OFFSET                                      | 40057                       |
| IN2-Status           | 40018+ OFFSET                                      | 40058                       |
| IN3-Status           | 40019+ OFFSET                                      | 40059                       |
| IN4-Status           | 40020+ OFFSET                                      | 40060                       |
| OUT1-Status          | 40021+ OFFSET                                      | 40061                       |
| OUT2-Status          | 40022+ OFFSET                                      | 40062                       |
| OUT3-Status          | 40023+ OFFSET                                      | 40063                       |
| OUT4-Status          | 40024+ OFFSET                                      | 40064                       |
| IN_D1-Status         | 40025+ OFFSET                                      | 40065                       |
| IN_D2-Status         | 40026+ OFFSET                                      | 40066                       |
| IN_D3-Status         | 40027+ OFFSET                                      | 40067                       |
| IN_D4-Status         | 40028+ OFFSET                                      | 40068                       |
| OUT_D1-Status        | 40029+ OFFSET                                      | 40069                       |
| OUT_D2-Status        | 40030+ OFFSET                                      | 40070                       |
| OUT_D3-Status        | 40031+ OFFSET                                      | 40071                       |
| OUT_D4-Status        | 40032+ OFFSET                                      | 40072                       |
| IN_D1-Value          | 1+ OFFSET  | 41                          |
| IN_D2-Value          | 2+ OFFSET  | 42                          |
| IN_D2-Value          | 3+ OFFSET  | 43                          |
| IN_D2-Value          | 4+ OFFSET  | 44                          |
| OUT_D1-Value         | 5+ OFFSET  | 45                          |
| OUT_D2-Value         | 6+ OFFSET  | 46                          |
| OUT_D3-Value         | 7+ OFFSET  | 47                          |
| OUT_D4-Value         | 8+ OFFSET  | 48                          |

Note in the table that:

$$\text{LOCAL\_MOD\_MAP} = X$$

$$\text{OFFSET} = 40 * X$$

The second column of the table above shows the values that are attributed to the Inputs and Outputs of the MBCS block according to the value set for LOCAL\_MOD\_MAP. For example, if LOCAL\_MOD\_MAP is set equal to 1 it will result in the MODBUS range of addresses showed in the third column. It must be clear that when this parameter is set, a whole range is selected, not a specific address.

INn and OUTn values use two MODBUS registers (for example IN1, 40041 and 40042) because their data type is float. IN\_Dn and OUT\_Dn values use one MODBUS register (for example IN\_D1, 41). Status values also use only one register.

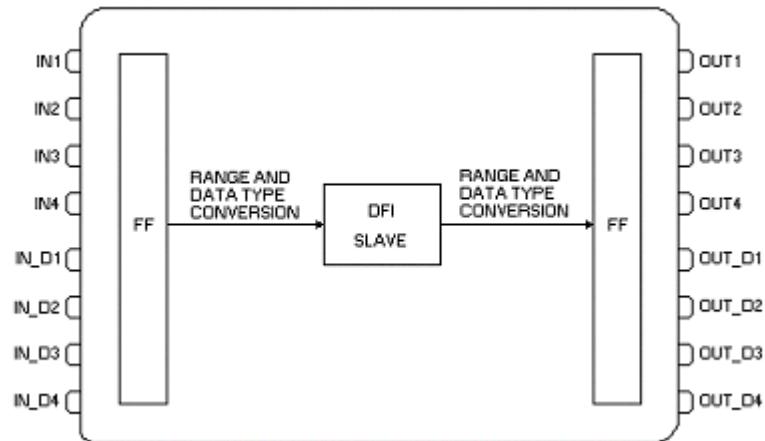
Once this MODBUS range is defined, it is possible to set how the MODBUS master will read them.

This block allows Modbus Scale Conversion, to do the conversion procedure see the item “Modbus Scale Conversion” in the Chapter 1for more details.

**Output Status**

If the OUTs aren’t updated by Modbus Master in a time specified by user (parameter TIMEOUT in MBCF), it will be generated a “bad status”. If TIMEOUT < Macro cycle, TIMEOUT = Macro cycle. Once all parameters are set as mentioned above, now it is possible to use them in your control strategy. The MODBUS master could now see all the MBCS inputs and outputs. Thus it is possible to link them at user’s convenience. Reading from DF I/O modules and then passing their values to the MODBUS master, or setting values in the MODBUS master and then passing them to DF I/O modules. Now each input and output are associated with MODBUS addresses the MODBUS master is able to read their values from the address DEVICE\_ADDRESS (set on the MBCF block) and specific MODBUS address (set here).

**Schematic**



**BLOCK\_ERR**

The BLOCK\_ERR of the MBCS block will reflect the following causes:

- Other: it occurs when the conversion from Y to DATA\_TYPE\_IN results in a value out of range of this data type.
- Out of Service: it occurs when the block is in O/S mode.

**Parameters**

| Idx | Parameter      | Data Type (length) | Valid Range/ Options | Default Value | Units | Store / Mode | Description   |
|-----|----------------|--------------------|----------------------|---------------|-------|--------------|---|
| 1   | ST_REV         | Unsigned16         |                      | 0             | None  | S/RO         |   |
| 2   | TAG_DESC       | OctString(32)      |                      | Spaces        | Na    | S            |   |
| 3   | STRATEGY       | Unsigned16         |                      | 0             | None  | S            |   |
| 4   | ALERT_KEY      | Unsigned8          | 1 to 255             | 0             | None  | S            |   |
| 5   | MODE_BLK       | DS-69              |                      | O/S           | Na    | S            | See Mode Parameter.   |
| 6   | BLOCK_ERR      | Bitstring(2)       |                      |               | E     | D / RO       |   |
| 7   | LOCAL_MOD_MAP  | Unsigned8          | 0 to 15              | 0             |       | S / O/S      | Define the Modbus addresses.                                      |
| 8   | IN1            | DS-65              |                      |               |       | N            | Analog input 1  |
| 9   | SCALE_CONV_IN1 | DS-256             |                      |               |       | S / O/S      | Information to generate constants A and B in equation $Y=A*X+B$ . |
| 10  | IN2            | DS-65              |                      |               |       | N            | Analog input 2  |

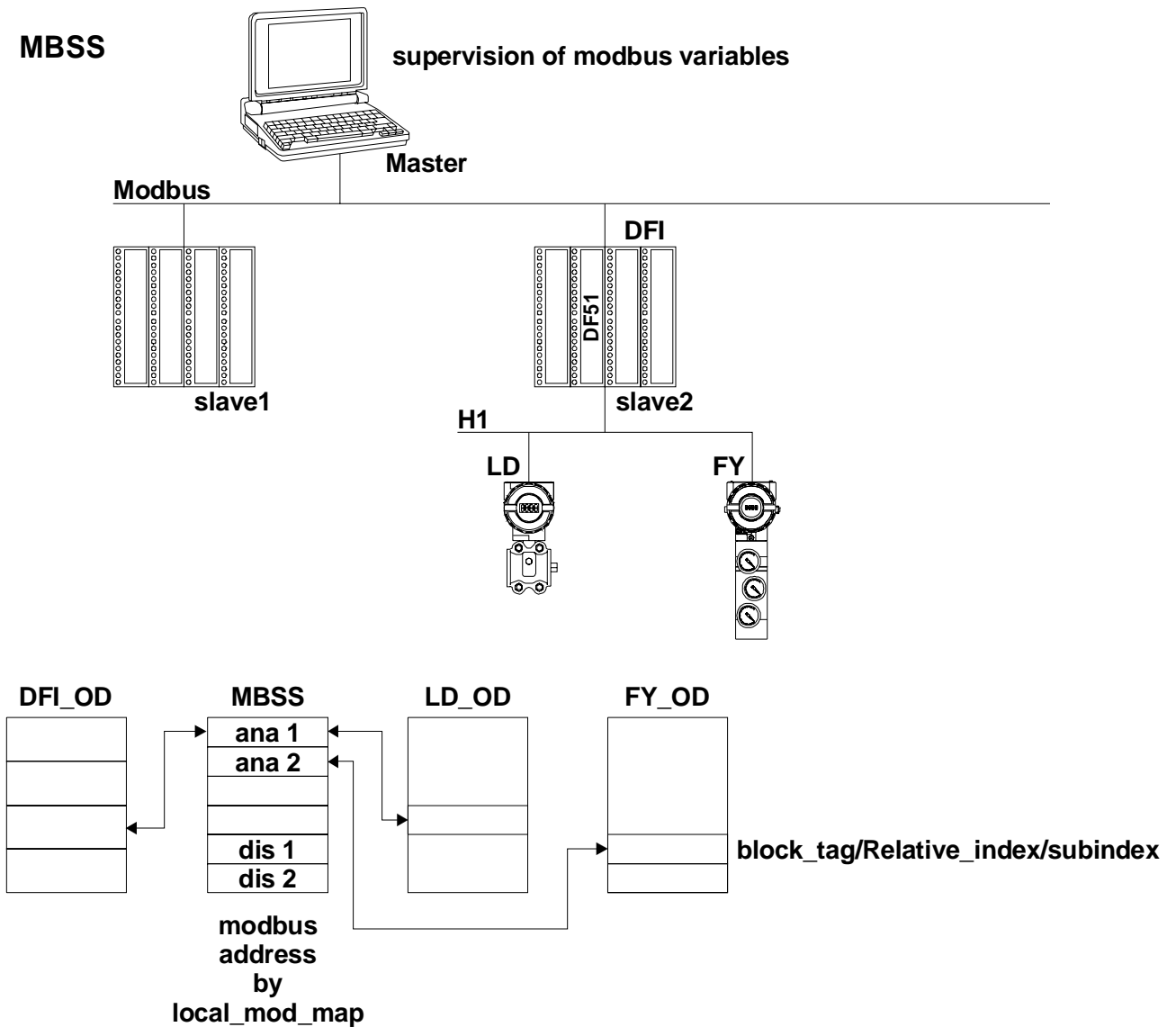
| Idx | Parameter       | Data Type<br>(length) | Valid Range/<br>Options | Default<br>Value | Units | Store /<br>Mode | Description  |
|-----|-----------------|-----------------------|-------------------------|------------------|-------|-----------------|--|
| 11  | SCALE_CONV_IN2  | DS-256                |                         |                  |       | S / O/S         | Information to generate constants A and B in equation $Y=A*X+B$ .  |
| 12  | IN3             | DS-65                 |                         |                  |       | N               | Analog input 3   |
| 13  | SCALE_CONV_IN3  | DS-256                |                         |                  |       | S / O/S         | Information to generate constants A and B in equation $Y=A*X+B$ .  |
| 14  | IN4             | DS-65                 |                         |                  |       | N               | Analog input 4   |
| 15  | SCALE_CONV_IN4  | DS-256                |                         |                  |       | S / O/S         | Information to generate constants A and B in equation $Y=A*X+B$ .  |
| 16  | IN_D1           | DS-66                 |                         |                  |       | N               | Discrete input 1   |
| 17  | IN_D2           | DS-66                 |                         |                  |       | N               | Discrete input 2   |
| 18  | IN_D3           | DS-66                 |                         |                  |       | N               | Discrete input 3   |
| 19  | IN_D4           | DS-66                 |                         |                  |       | N               | Discrete input 4   |
| 20  | OUT1            | DS-65                 |                         |                  |       | N / Man         | Analog output 1  |
| 21  | SCALE_CONV_OUT1 | DS-257                |                         |                  |       | S / O/S         | Information to generate constants A and B in equation $Y=A*X+B$ plus output status.  |
| 22  | OUT2            | DS-65                 |                         |                  |       | N / Man         | Analog output 2  |
| 23  | SCALE_CONV_OUT2 | DS-257                |                         |                  |       | S / O/S         | Information to generate constants A and B in equation $Y=A*X+B$ plus output status.  |
| 24  | OUT3            | DS-65                 |                         |                  |       | N / Man         | Analog output 3  |
| 25  | SCALE_CONV_OUT3 | DS-257                |                         |                  |       | S / O/S         | Information to generate constants A and B in equation $Y=A*X+B$ plus output status.  |
| 26  | OUT4            | DS-65                 |                         |                  |       | N / Man         | Analog output 4  |
| 27  | SCALE_CONV_OUT4 | DS-257                |                         |                  |       | S / O/S         | Information to generate constants A and B in equation $Y=A*X+B$ plus output status.  |
| 28  | OUT_D1          | DS-66                 |                         |                  |       | N / Man         | Discrete output 1  |
| 29  | STATUS_OUT_D1   | Unsigned8             |                         |                  |       | S / O/S         | Status to OUT_D1 if master will not update.  |
| 30  | OUT_D2          | DS-66                 |                         |                  |       | N / Man         | Discrete output 2  |
| 31  | STATUS_OUT_D2   | Unsigned8             |                         |                  |       | S / O/S         | Status to OUT_D2 if master will not update.  |
| 32  | OUT_D3          | DS-66                 |                         |                  |       | N / Man         | Discrete output 3  |
| 33  | STATUS_OUT_D3   | Unsigned8             |                         |                  |       | S / O/S         | Status to OUT_D3 if master will not update.  |
| 34  | OUT_D4          | DS-66                 |                         |                  |       | N / Man         | Discrete output 4  |
| 35  | STATUS_OUT_D4   | Unsigned8             |                         |                  |       | S / O/S         | Status to OUT_D4 if master will not update.  |
| 36  | UPDATE_EVT      | DS-73                 |                         |                  | Na    | D               | This alert is generated by any change to the static data.  |
| 37  | BLOCK_ALM       | DS-72                 |                         |                  | Na    | D               | The block alarm is used for all configuration, hardware, and connection failure or system problems in the block. The cause of the alert is entered in the subcode field. The first alert to become active will set the Active status in the Status attribute. As soon as the Unreported status is cleared by the alert reporting task, another block alert may be reported without clearing the Active status, if the subcode has changed. |

**Legend:** E – Enumerated parameter; Na – Adimensional parameter; RO – Read only; D – dynamic; N – non-volatile; S – Static

**Gray Background Line: Default Parameters of Syscon**

## MBSS – ModBus Supervision Slave

### Overview



### Description

MBSS block generates a communication strategy between a MODBUS master and a FIELDBUS FOUNDATION slave. In the present case, the slave is the Smar's linking device DFI302 that has slave behavior for the MODBUS network. The MBSS block allows that FIELDBUS variables are monitored. Unlike the MBCS block, the MBSS does not have inputs or outputs that may be connected. In another words, links to other function blocks cannot be made. It will allow only the MODBUS master to monitor specific variables set. For example, suppose there is a PID function block in a FIELDBUS control strategy and it is required to visualize this value in the MODBUS master. With the MBSS this value may be monitored.

### Note

Every time a MODBUS parameter is changed it is necessary to set the ON\_APPLY parameter of the MBCF block to "Apply". Otherwise these alterations will not be effective.

### I\_IDn, F\_IDn, B\_IDn parameters

I\_IDn are integer variables, F\_IDn are float variables and D\_IDn refers to Boolean variables. These parameters are of the DS-262 data type, which has 3 elements, and their descriptions are in the Chapter 1 "Data Type and Structure Definitions".

**LOCAL\_MOD\_MAP parameter**

This parameter will attribute MODBUS address to the variables you need to monitor. See table below:

| <b>LOCAL_MOD_MAP (MBSS)</b> |  |                             |
|-----------------------------|--|-----------------------------|
| PARAMETER                   | LOCAL_MOD_MAP = x<br>OFFSET = 40 * x<br>x = 0 ~ 15 | e.g.<br>LOCAL_MOD_MAP<br>=1 |
| FVALUE1                     | 42601+ OFFSET<br>42602+ OFFSET                     | 42641<br>42642              |
| FVALUE2                     | 42603+ OFFSET<br>42604+ OFFSET                     | 42643<br>42644              |
| FVALUE3                     | 42605+ OFFSET<br>42606+ OFFSET                     | 42645<br>42646              |
| FVALUE4                     | 42607+ OFFSET<br>42608+ OFFSET                     | 42647<br>42648              |
| FVALUE5                     | 42609+ OFFSET<br>42610+ OFFSET                     | 42649<br>42650              |
| FVALUE6                     | 42611+ OFFSET<br>42612+ OFFSET                     | 42651<br>42652              |
| FVALUE7                     | 42613+ OFFSET<br>42614+ OFFSET                     | 42653<br>42654              |
| FVALUE8                     | 42615+ OFFSET<br>42616+ OFFSET                     | 42655<br>42656              |
| IVALUE1                     | 42617+ OFFSET<br>42618+ OFFSET                     | 42657<br>42658              |
| IVALUE2                     | 42619+ OFFSET<br>42620+ OFFSET                     | 42659<br>42660              |
| IVALUE3                     | 42621+ OFFSET<br>42622+ OFFSET                     | 42661<br>42662              |
| IVALUE4                     | 42623+ OFFSET<br>42624+ OFFSET                     | 42663<br>42664              |
| BVALUE1                     | 2601+ OFFSET                                       | 2641                        |
| BVALUE2                     | 2602+ OFFSET                                       | 2642                        |
| BVALUE3                     | 2603+ OFFSET                                       | 2643                        |
| BVALUE4                     | 2604+ OFFSET                                       | 2644                        |
| BAD_STATUS                  | 42625+OFFSET                                       | 42665                       |

LOCAL\_MOD\_MAP= X  
OFFSET = 40\*X

Once values for LOCAL\_MOD\_MAP are set, MODBUS ADDRESSES are given to the variables you wish to monitor. So, each integer, float or Boolean variable will have a MODBUS address associated.

For example, suppose LOCAL\_MOD\_MAP = 1 and a float value will be monitored. Picking the F\_ID1 and setting its parameters, we have:

F\_ID1.Tag = Tag of the float parameter necessary to monitor

F\_ID1.Index= Index of the first column of the parameter necessary to monitor.

F\_ID1.subindex = The sub index is used for parameters that have a structure. In this case it is necessary to indicate which element of the structure is being referred.

See the table above The MODBUS addresses given to this parameter (remember, float values use two MODBUS registers) are 42641 and 42642.

**BAD\_STATUS Parameter**

This parameter indicates if the Fieldbus communication is OK or no. If the correspondent bit is in logic level 1 this means there was an error during writing/reading of the respective parameter. The table below presents the values for these status values.

**Relation between the bits in BAD\_STATUS and Modbus addresses**

| BIT | PARAMETER |
|-----|-----------|
| 0   | FVALUE1   |
| 1   | FVALUE2   |
| 2   | FVALUE3   |
| 3   | FVALUE4   |
| 4   | FVALUE5   |
| 5   | FVALUE6   |
| 6   | FVALUE7   |
| 7   | FVALUE8   |
| 8   | IVALUE1   |
| 9   | IVALUE2   |
| 10  | IVALUE3   |
| 11  | IVALUE4   |
| 12  | BVALUE1   |
| 13  | BVALUE2   |
| 14  | BVALUE3   |
| 15  | BVALUE4   |

**BLOCK\_ERR**

The BLOCK\_ERR of the MBSS block will reflect the following causes:

- Block Configuration Error: If it is requested a tag with a data type different from permitted or invalid or not found block tag;
- Out of Service: it occurs when the block is in O/S mode.

**Remarks**

BVALUEx parameters can address FF block parameters of the following data types: Boolean, integer8 and unsigned8. Those data types are automatically converted to bit (0 or 1) and vice versa for Modbus supervision and also converted to Boolean parameter (BVALUEx).

IVALUEx parameters can address FF block parameters of the following data types: Integer8, Integer16, Integer32, Unsigned8, Unsigned16 and Unsigned32.

Each analog parameter (IVALUEx) is mapping as two analog registers in Modbus, i.e., four bytes. Thus, when addressing a FF block parameter with one or two bytes, such parameter will be promoted to Unsigned32 or Integer32.

If Relative Index = 5 (MODE\_BLK) e Sub Index = 0, it is performed a writing in Sub Index 1 and a reading in Sub Index 2.

**Parameters**

| Idx | Parameter | Data Type (length) | Valid Range/ Options | Default Value | Units | Store / Mode | Description        |
|-----|-----------|--------------------|----------------------|---------------|-------|--------------|--------------------|
| 1   | ST_REV    | Unsigned16         |                      | 0             | None  | S/RO         |                    |
| 2   | TAG_DESC  | OctString(32)      |                      | Spaces        | Na    | S            |                    |
| 3   | STRATEGY  | Unsigned16         |                      | 0             | None  | S            |                    |
| 4   | ALERT_KEY | Unsigned8          | 1 to 255             | 0             | None  | S            |                    |
| 5   | MODE_BLK  | DS-69              |                      | O/S           | Na    | S            | See Mode Parameter |
| 6   | BLOCK_ERR | Bitstring(2)       |                      |               | E     | D / RO       |                    |



| Idx | Parameter     | Data Type<br>(length) | Valid<br>Range/<br>Options | Default<br>Value | Units | Store /<br>Mode | Description  |
|-----|---------------|-----------------------|----------------------------|------------------|-------|-----------------|--|
| 7   | LOCAL_MOD_MAP | Unsigned8             | 0 to 15                    | 0                |       | S / O/S         | Define the ModBus addresses.   |
| 8   | F_ID1         | DS-262                |                            |                  |       | S / O/S         | Information to locate float parameter.   |
| 9   | FVALUE1       | Float                 |                            | 0                |       | N               | Value from requested float parameter.  |
| 10  | F_ID2         | DS-262                |                            |                  |       | S / O/S         | Information to locate float parameter.   |
| 11  | FVALUE2       | Float                 |                            | 0                |       | N               | Value from requested float parameter.  |
| 12  | F_ID3         | DS-262                |                            |                  |       | S / O/S         | Information to locate float parameter.   |
| 13  | FVALUE3       | Float                 |                            | 0                |       | N               | Value from requested float parameter.  |
| 14  | F_ID4         | DS-262                |                            |                  |       | S / O/S         | Information to locate float parameter.   |
| 15  | FVALUE4       | Float                 |                            | 0                |       | N               | Value from requested float parameter.  |
| 16  | F_ID5         | DS-262                |                            |                  |       | S / O/S         | Information to locate float parameter.   |
| 17  | FVALUE5       | Float                 |                            | 0                |       | N               | Value from requested float parameter.  |
| 18  | F_ID6         | DS-262                |                            |                  |       | S / O/S         | Information to locate float parameter.   |
| 19  | FVALUE6       | Float                 |                            | 0                |       | N               | Value from requested float parameter.  |
| 20  | F_ID7         | DS-262                |                            |                  |       | S / O/S         | Information to locate float parameter.   |
| 21  | FVALUE7       | Float                 |                            | 0                |       | N               | Value from requested float parameter.  |
| 22  | F_ID8         | DS-262                |                            |                  |       | S / O/S         | Information to locate float parameter.   |
| 23  | FVALUE8       | Float                 |                            | 0                |       | N               | Value from requested float parameter.  |
| 24  | I_ID1         | DS-262                |                            |                  |       | S / O/S         | Information to locate integer parameter.   |
| 25  | IVALUE1       | Integer32             |                            | 0                |       | N               | Value from requested integer parameter.  |
| 26  | I_ID2         | DS-262                |                            |                  |       | S / O/S         | Information to locate integer parameter.   |
| 27  | IVALUE2       | Integer32             |                            | 0                |       | N               | Value from requested integer parameter.  |
| 28  | I_ID3         | DS-262                |                            |                  |       | S / O/S         | Information to locate integer parameter.   |
| 29  | IVALUE3       | Integer32             |                            | 0                |       | N               | Value from requested integer parameter.  |
| 30  | I_ID4         | DS-262                |                            |                  |       | S / O/S         | Information to locate integer parameter.   |
| 31  | IVALUE4       | Integer32             |                            | 0                |       | N               | Value from requested integer parameter.  |
| 32  | B_ID1         | DS-262                |                            |                  |       | S / O/S         | Information to locate boolean parameter.   |
| 33  | BVALUE1       | Boolean               |                            | TRUE             |       | N               | Value from requested boolean parameter.  |
| 34  | B_ID2         | DS-262                |                            |                  |       | S / O/S         | Information to locate boolean parameter.   |
| 35  | BVALUE2       | Boolean               |                            | TRUE             |       | N               | Value from requested boolean parameter.  |
| 36  | B_ID3         | DS-262                |                            |                  |       | S / O/S         | Information to locate boolean parameter.   |
| 37  | BVALUE3       | Boolean               |                            | TRUE             |       | N               | Value from requested boolean parameter.  |
| 38  | B_ID4         | DS-262                |                            |                  |       | S / O/S         | Information to locate boolean parameter.   |
| 39  | BVALUE4       | Boolean               |                            | TRUE             |       | N               | Value from requested boolean parameter.  |
| 40  | UPDATE_EVT    | DS-73                 |                            |                  | Na    | D               | This alert is generated by any change to the static data.  |
| 41  | BLOCK_ALM     | DS-72                 |                            |                  | Na    | D               | The block alarm is used for all configuration, hardware, and connection failure or system problems in the block. The cause of the alert is entered in the subcode field. The first alert to become active will set the Active status in the Status attribute. As soon as the Unreported status is cleared by the alert reporting task, another block alert may be reported without clearing the Active status, if the subcode has changed. |
| 42  | BAD_STATUS    | BitString (2)         |                            |                  |       | D/RO            | This parameter indicates if the status of correspondent variable is bad or not.  |

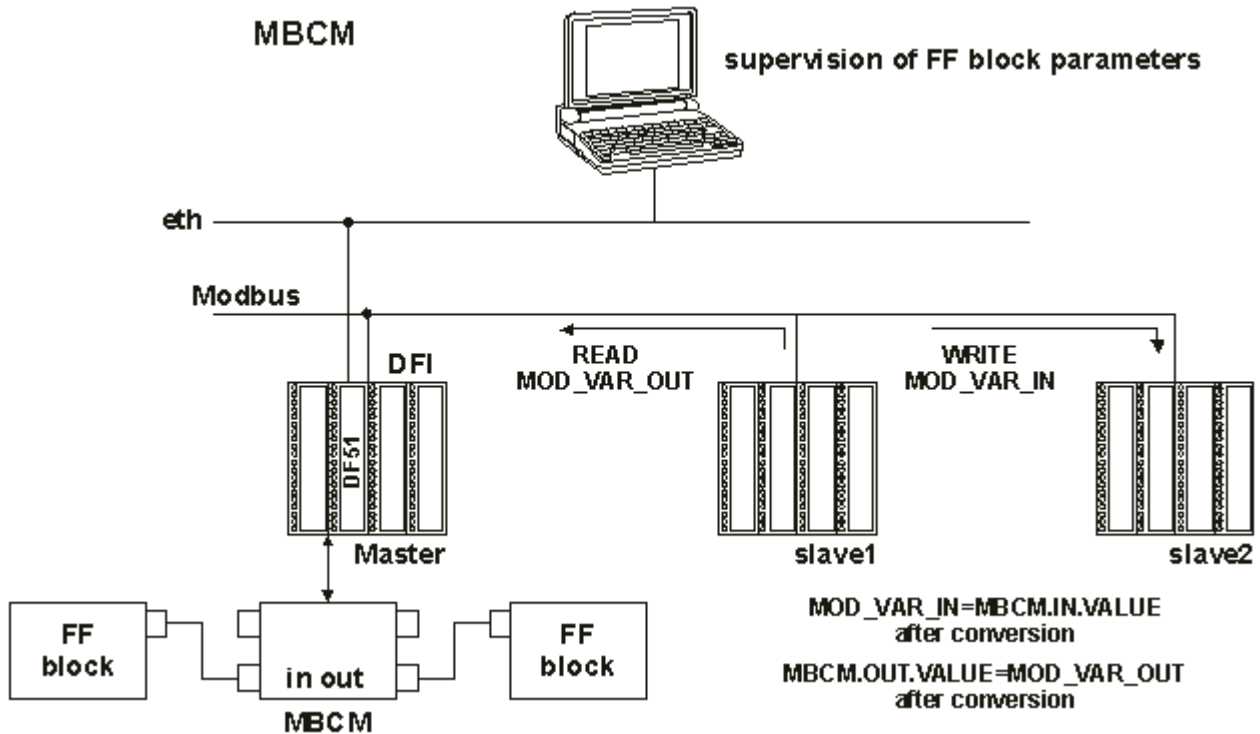
Legend: E – Enumerated parameter; Na – Adimensional parameter; RO – Read only; D – dynamic; N – non-volatile; S – Static

Gray Background Line: Default Parameters of Syscon

## MBCM – ModBus Control Master

### Overview

#### MBCM



### Description

This block allows control of communication in a strategy where the DFI302 is a MODBUS master and the slaves may exchange data between them and with the DFI302. With this block it is not only possible to read MODBUS variables, but also writing variables in the MODBUS world, exchange data and interact with the FIELDBUS FOUNDATION control strategy.

#### Note

Every time a MODBUS parameter is changed it is necessary to set the ON\_APPLY parameter of the MBCM block to "Apply". Otherwise these alterations will not be effective.

### LOCAL\_MOD\_MAP parameter

All MBCM blocks added to the strategy must have different values for LOCAL\_MOD\_MAP. Otherwise the block will not work properly.

### Inputs and Outputs

This block has 4 digital inputs and outputs and 4 analog inputs and outputs. These inputs and outputs may be connected to other FIELDBUS function blocks in order to be connected to MODBUS I/O modules or registers.

- INn: Analog input. DS-65 Data type. Value and Status. (See on Chapter 1, "Data Type and Data Structure Definition"). In this parameter user will visualize the value of the parameter set for this input and its status.
- IN\_Dn: Digital input. DS-66 Data type. Value and Status. (See on Chapter 1, "Data Type and Data Structure Definition"). In this parameter user will visualize the value of the parameter set for this input and its status
- OUTn: Analog output. DS-65 Data type. Value and Status. (See on Chapter 1, "Data Type and Data Structure Definition"). In this parameter user will visualize the value of the parameter set for this output and its status.
- OUT\_Dn: Digital output. DS-66 Data type. Value and Status. (see on Chapter 1, "Data Type and Data Structure Definition"). In this parameter user will visualize the value of the parameter set for this output and its status

### SCALE\_LOC\_INn and SCALE\_LOC\_OUTn

These parameters are of the DS-259 data type. They both convert the value to Engineering Units and address the variable in the MODBUS network. The INn and OUTn inputs and outputs have SCALE\_LOC\_INn and SCALE\_LOC\_OUTn parameters associated. It is necessary to set these parameters so the monitoring and data exchanges are properly made.

Each one of these parameters consists of the following elements:

- √ From Eu 100 %
- √ From Eu 0 %
- √ To Eu 100 %
- √ To Eu 0 %
- √ Data Type
- √ Slave Address
- √ Modbus Address of Value
- √ Modbus Address of Status

This block allows Modbus Scale Conversion, to do the conversion procedure see the item “Modbus Scale Conversion” in the Chapter 1 for more details.

The Modbus status is related with the Modbus value. Thus, when the “MODBUS\_ADDRESS\_OF\_STATUS” parameter was configured, it is necessary to configure also “MODBUS\_ADDRESS\_OF\_VALUE”.

The treatment of inputs and outputs are described in the table below:

| Input/Output               | Status Configured<br>(MODBUS_ADDRESS_OF_STATUS ≠ 0)   | Status Not Configured<br>(MODBUS_ADDRESS_OF_STATUS = 0)   |
|----------------------------|---|---|
| Inputs<br>(IN_n , IN_Dn)   | The block sends to the ModBus slave device the status corresponding of its input.( The status has the FF standard format)                                     | No status information is sent to the slave device.  |
| Outputs<br>(OUT_n, OUT_Dn) | The block reads from the slave device the corresponding status. ( The block make the interpretation that the ModBus variable is the same format of FF Status) | <ul style="list-style-type: none"> <li>- The block updates the status to “Good Non Cascade” when the communication with the ModBus slave device is ok.</li> <li>- The block update the status to “Bad No Communication with last value” when the communication with the ModBus slave device is not ok.</li> </ul> |

Float values use two MODBUS registers, but it is necessary only to inform the first one.

### Setting the inputs and outputs of the MBCM block

To read a MODBUS variable, connect it to an output of the MBCM function block. To write in a MODBUS register connect it to an input of the MBCM block.

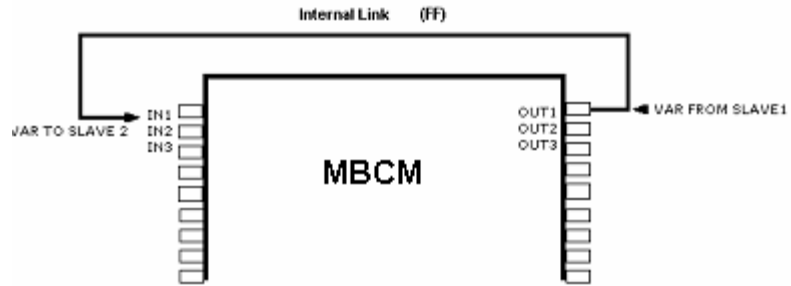
Generally MODBUS addresses are:

The standard of the Modbus protocol specifies the division of the address range to the variables.

- 0001 to 9999 => Digital Outputs
- 10001 to 19999 => Digital Inputs.
- 30001 to 39999 => Analog Inputs.
- 40001 to 49999 => Analog Outputs

Once the variables required to be mapped are defined and referenced in the MBCM block it is now possible to set the strategy.

It is possible to connect the variables to other FIELDBUS function blocks (Connect the output or input of the block to blocks in the strategy), to write in MODBUS registers (Connect the Input of the MBCM block to a MODBUS register). Exchanging data between two slaves (set the input of the MBCM block with the slave address and specific MODBUS address where the value will be written and set the output of the MBCM block with the slave address and MODBUS address of the variable where the value will be read). This last application is showed below:



**BAD\_STATUS Parameter**

This parameter indicates if the communication between slaves was established properly. If the correspondent bit is in logic level 1 this means there was an error during writing/reading of the respective parameter. The table below presents the values for these status values.

**Relation between the bits in BAD\_STATUS and Modbus addresses**

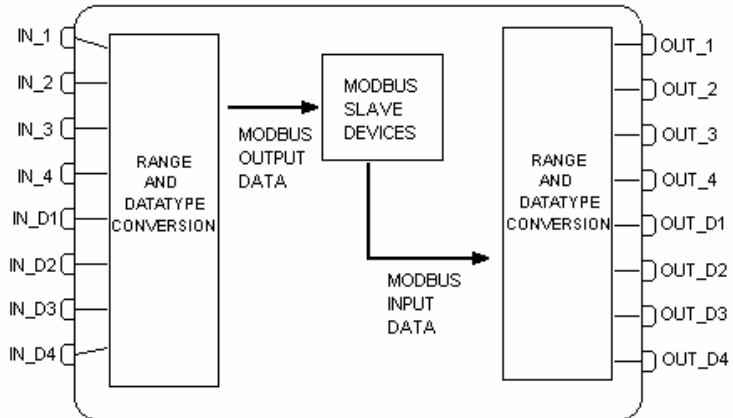
| BIT | PARAMETER |
|-----|-----------|
| 0   | IN1       |
| 1   | IN2       |
| 2   | IN3       |
| 3   | IN4       |
| 4   | IN_D1     |
| 5   | IN_D2     |
| 6   | IN_D3     |
| 7   | IN_D4     |
| 8   | OUT1      |
| 9   | OUT2      |
| 10  | OUT3      |
| 11  | OUT4      |
| 12  | OUT_D1    |
| 13  | OUT_D2    |
| 14  | OUT_D3    |
| 15  | OUT_D4    |

**Remarks**

Each bit corresponds to an OR between the value and status, indicating if communication with slave is good or bad.

- If it is only used the value, the status is considered zero.
- If it is only used the status, the value is considered zero.

**Schematic**



**BLOCK\_ERR**

The BLOCK\_ERR of the MBCM block will reflect the following causes:

- Other: it occurs when the conversion from Y to DATA\_TYPE\_IN results in a value out of range of this data type.
- Out of Service: it occurs when the block is in O/S mode.

**Parameters**

| Idx | Parameter      | Data Type (length) | Valid Range/ Options | Default Value | Units | Store / Mode | Description   |
|-----|----------------|--------------------|----------------------|---------------|-------|--------------|---|
| 1   | ST_REV         | Unsigned16         |                      | 0             | None  | S/RO         |   |
| 2   | TAG_DESC       | OctString(32)      |                      | Spaces        | Na    | S            |   |
| 3   | STRATEGY       | Unsigned16         |                      | 0             | None  | S            |   |
| 4   | ALERT_KEY      | Unsigned8          | 1 to 255             | 0             | None  | S            |   |
| 5   | MODE_BLK       | DS-69              |                      | O/S           | Na    | S            | See Mode Parameter  |
| 6   | BLOCK_ERR      | Bitstring(2)       |                      |               | E     | D / RO       |   |
| 7   | LOCAL_MOD_MAP  | Unsigned8          | 0 to 15              | 0             |       | S / O/S      | Define the Modbus addresses.  |
| 8   | BAD_STATUS     | Bitstring(2)       |                      | 0             | E     | D / RO       | Indicate if communication from slave is good or not (each bit corresponds to a Modbus variable).      |
| 9   | IN1            | DS-65              |                      |               |       | N            | Analog input 1  |
| 10  | SCALE_LOC_IN1  | DS-259             |                      |               |       | S / M        | Information to generate constants A and B in equation $Y=A*X+B$ plus the addresses in a slave device. |
| 11  | IN2            | DS-65              |                      |               |       | N            | Analog input 2  |
| 12  | SCALE_LOC_IN2  | DS-259             |                      |               |       | S / M        | Information to generate constants A and B in equation $Y=A*X+B$ plus the addresses in a slave device. |
| 13  | IN3            | DS-65              |                      |               |       | N            | Analog input 3  |
| 14  | SCALE_LOC_IN3  | DS-259             |                      |               |       | S / M        | Information to generate constants A and B in equation $Y=A*X+B$ plus the addresses in a slave device. |
| 15  | IN4            | DS-65              |                      |               |       | N            | Analog input 4  |
| 16  | SCALE_LOC_IN4  | DS-259             |                      |               |       | S / M        | Information to generate constants A and B in equation $Y=A*X+B$ plus the addresses in a slave device. |
| 17  | IN_D1          | DS-66              |                      |               |       | N            | Discrete input 1  |
| 18  | LOCATOR_IN_D1  | DS-261             |                      |               |       | S / O/S      | Addresses in a slave device.  |
| 19  | IN_D2          | DS-66              |                      |               |       | N            | Discrete input 2  |
| 20  | LOCATOR_IN_D2  | DS-261             |                      |               |       | S / O/S      | Addresses in a slave device.  |
| 21  | IN_D3          | DS-66              |                      |               |       | N            | Discrete input 3  |
| 22  | LOCATOR_IN_D3  | DS-261             |                      |               |       | S / O/S      | Addresses in a slave device.  |
| 23  | IN_D4          | DS-66              |                      |               |       | N            | Discrete input 4  |
| 24  | LOCATOR_IN_D4  | DS-261             |                      |               |       | S / O/S      | Addresses in a slave device.  |
| 25  | OUT1           | DS-65              |                      |               |       | N / Man      | Analog output 1   |
| 26  | SCALE_LOC_OUT1 | DS-259             |                      |               |       | S / M        | Information to generate constants A and B in equation $Y=A*X+B$ plus the addresses in a slave device. |
| 27  | OUT2           | DS-65              |                      |               |       | N / Man      | Analog output 2   |
| 28  | SCALE_LOC_OUT2 | DS-259             |                      |               |       | S / M        | Information to generate constants A and B in equation $Y=A*X+B$ plus the addresses in a slave device. |
| 29  | OUT3           | DS-65              |                      |               |       | N / Man      | Analog output 3   |
| 30  | SCALE_LOC_OUT3 | DS-259             |                      |               |       | S / M        | Information to generate constants A and B in equation $Y=A*X+B$ plus the addresses in a slave device. |

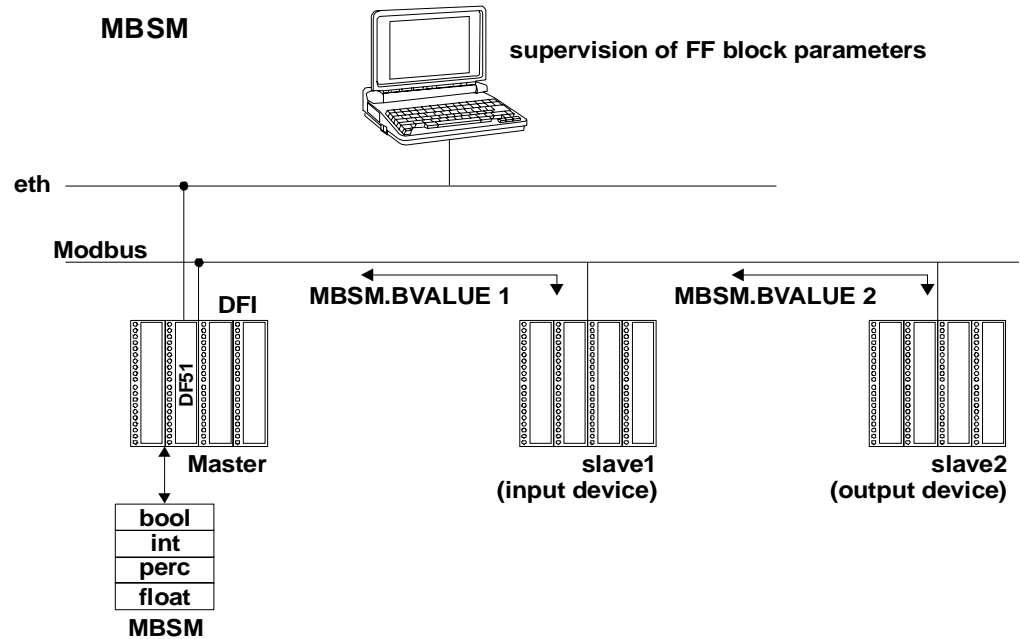
| Idx | Parameter      | Data Type<br>(length) | Valid Range/<br>Options | Default<br>Value | Units | Store /<br>Mode | Description  |
|-----|----------------|-----------------------|-------------------------|------------------|-------|-----------------|--|
| 31  | OUT4           | DS-65                 |                         |                  |       | N / Man         | Analog output 4  |
| 32  | SCALE_LOC_OUT4 | DS-259                |                         |                  |       | S / M           | Information to generate constants A and B in equation $Y=A*X+B$ plus the addresses in a slave device.  |
| 33  | OUT_D1         | DS-66                 |                         |                  |       | N / Man         | Discrete output 1  |
| 34  | LOCATOR_OUT_D1 | DS-261                |                         |                  |       | S / O/S         | Addresses in a slave device.   |
| 35  | OUT2_D2        | DS-66                 |                         |                  |       | N / Man         | Discrete output 2  |
| 36  | LOCATOR_OUT_D2 | DS-261                |                         |                  |       | S / O/S         | Addresses in a slave device.   |
| 37  | OUT_D3         | DS-66                 |                         |                  |       | N / Man         | Discrete output 3  |
| 38  | LOCATOR_OUT_D3 | DS-261                |                         |                  |       | S / O/S         | Addresses in a slave device.   |
| 39  | OUT_D4         | DS-66                 |                         |                  |       | N / Man         | Discrete output 4  |
| 40  | LOCATOR_OUT_D4 | DS-261                |                         |                  |       | S / O/S         | Addresses in a slave device.   |
| 41  | UPDATE_EVT     | DS-73                 |                         |                  | Na    | D               | This alert is generated by any change to the static data.  |
| 42  | BLOCK_ALM      | DS-72                 |                         |                  | Na    | D               | The block alarm is used for all configuration, hardware, and connection failure or system problems in the block. The cause of the alert is entered in the subcode field. The first alert to become active will set the Active status in the Status attribute. As soon as the Unreported status is cleared by the alert reporting task, another block alert may be reported without clearing the Active status, if the subcode has changed. |

Legend: E – Enumerated parameter; Na – Adimensional parameter; RO – Read only; D – dynamic; N – non-volatile; S – Static

Gray Background Line: Default Parameters of Syscon

## MBSM – ModBus Supervision Master

### Overview



### Description

This block enables the DFI302 to monitor MODBUS variables. The DFI302 is the master the slaves contain the MODBUS variables desired to be read. Unlike the MBCM this block does not have inputs and outputs that may be connected.

#### Note

Every time a MODBUS parameter is changed it is necessary to set the ON\_APPLY parameter of the MBCF block to "Apply". Otherwise these alterations will not be effective.

### LOCAL\_MOD\_MAP

All MBCM blocks you add to your strategy must have different values for LOCAL\_MOD\_MAP. Otherwise the block will not work properly.

### Parameters FVALUE<sub>n</sub>, PVALUE<sub>n</sub>, IVALUE<sub>n</sub> and BVALUE<sub>n</sub>

User may select these parameters according to his needs. If the variable required to be monitored is a float it is necessary to use a FVALUE parameter. If it is a percentage, the PVALUE<sub>n</sub> will work. IVALUE refers to Integer values and BVALUE refers to Boolean values.

To each of these parameters are associated parameters to address them in the MODBUS network so that the MBSM block knows their location.

### Parameter FLOCATOR<sub>n</sub>

It refers to the FVALUE<sub>n</sub> parameter.

This parameter is of the data type DS-260, so it is required to set two elements for this parameter (see on Chapter 1, "Data Type and Data Structure Definition"):

The FVALUE<sub>n</sub> parameters will display the values of the variables set in FLOCATOR<sub>n</sub>. Float values use two MODBUS registers, but it is necessary only to inform the first one.

### MODBUS Addresses

- 0001 to 9999 => Digital Outputs
- 10001 to 19999 => Digital Inputs.
- 30001 to 39999 => Analog Inputs.
- 40001 to 49999 => Analog Outputs

**Parameter PLOCATORn**

It refers to the PVALUEn parameter.

These parameters are of the DS-258 data type. Each of these parameters consists of the following elements:

- From Eu 100 %
- From Eu 0 %
- To Eu 100 %
- To Eu 0 %
- Data Type:
- Slave Address:
- MODBUS Address of Value:

This block allows Modbus Scale Conversion, to do the conversion procedure see the item “Modbus Scale Conversion” in the Chapter 1 for more details.

**Parameter ILOCATORn**

It refers to the IVALUEn parameter. (See on Chapter 1, “Data Type and Data Structure Definition”):

- Slave Address:
- Modbus Address OF Value:

The IVALUEn parameters will display the values of the variables set in ILOCATORn.

**Parameter BLOCATORn**

It refers to the BVALUEn parameter. This parameter is of the data type DS-260, so you will have to set two elements for this parameter (see on Chapter 1, “Data Type and Data Structure Definition”):

- Slave Address:
- Modbus Address OF Value:

The BVALUEn parameters will display the values of the variables set in BLOCATORn.

**BAD\_STATUS Parameter**

This parameter indicates if the communication between slaves was established properly. If the correspondent bit is in logic level 1 this means there was an error during writing/reading of the respective parameter. The table below presents the values for these status values.

**Relation between the bits in BAD\_STATUS and Modbus addresses**

| Bit | Mnemonic | Parameter |
|-----|----------|-----------|
| 0   | B1       | BVALUE1   |
| 1   | B2       | BVALUE2   |
| 2   | B3       | BVALUE3   |
| 3   | B4       | BVALUE4   |
| 4   | B5       | BVALUE5   |
| 5   | B6       | BVALUE6   |
| 6   | B7       | BVALUE7   |
| 7   | B8       | BVALUE8   |
| 8   | I1       | IVALUE1   |
| 9   | I2       | IVALUE2   |
| 10  | P1       | PVALUE1   |
| 11  | P2       | PVALUE2   |
| 12  | F1       | FVALUE1   |
| 13  | F2       | FVALUE2   |



## Parameters

| Idx | Parameter     | Data Type (length) | Valid Range/Options | Default Value | Units | Store / Mode | Description  |
|-----|---------------|--------------------|---------------------|---------------|-------|--------------|--|
| 1   | ST_REV        | Unsigned16         |                     | 0             | None  | S/RO         |  |
| 2   | TAG_DESC      | OctString(32)      |                     | Spaces        | Na    | S            |  |
| 3   | STRATEGY      | Unsigned16         |                     | 0             | None  | S            |  |
| 4   | ALERT_KEY     | Unsigned8          | 1 to 255            | 0             | None  | S            |  |
| 5   | MODE_BLK      | DS-69              |                     | O/S           | Na    | S            | See Mode Parameter   |
| 6   | BLOCK_ERR     | Bitstring(2)       |                     |               | E     | D / RO       |  |
| 7   | LOCAL_MOD_MAP | Unsigned8          | 0 to 15             | 0             |       | S / O/S      | Define the Modbus addresses.   |
| 8   | BAD_STATUS    | Bitstring(2)       |                     | 0             | E     | D / RO       | Indicate if communication from slave is good or not (each bit corresponds to a Modbus variable). |
| 9   | FLOCATOR1     | DS-260             |                     |               |       | S / O/S      | Information to locate float parameter  |
| 10  | FVALUE1       | Float              |                     | 0             |       | N            | Value from requested address.  |
| 11  | FLOCATOR2     | DS-260             |                     |               |       | S / O/S      | Information to locate float parameter  |
| 12  | FVALUE2       | Float              |                     | 0             |       | N            | Value from requested address.  |
| 13  | PLOCATOR1     | DS-258             |                     |               |       | S / O/S      | Information to locate percentage parameter   |
| 14  | PVALUE1       | Float              |                     | 0             |       | N            | Value from requested address.  |
| 15  | PLOCATOR2     | DS-258             |                     |               |       | S / O/S      | Information to locate percentage parameter   |
| 16  | PVALUE2       | Float              |                     | 0             |       | N            | Value from requested address.  |
| 17  | ILOCATOR1     | DS-260             |                     |               |       | S / O/S      | Information to locate integer parameter  |
| 18  | ILENGTH1      | Integer8           | 1,2,4               | 2             |       | S / O/S      | Data length.   |
| 19  | IVALUE1       | Interge32          |                     | 0             |       | N            | Value from requested address.  |
| 20  | ILOCATOR2     | DS-260             |                     |               |       | S / O/S      | Information to locate integer parameter  |
| 21  | ILENGTH2      | Integer8           | 1,2,4               | 2             |       | S / O/S      | Data length.   |
| 22  | IVALUE2       | Interge32          |                     | 0             |       | N            | Value from requested address.  |
| 23  | BLOCATOR1     | DS-260             |                     |               |       | S / O/S      | Information to locate boolean parameter  |
| 24  | BVALUE1       | Boolean            |                     | TRUE          |       | N            | Value from requested addresses.  |
| 25  | BLOCATOR2     | DS-260             |                     |               |       | S / O/S      | Information to locate boolean parameter  |
| 26  | BVALUE2       | Boolean            |                     | TRUE          |       | N            | Value from requested addresses.  |
| 27  | BLOCATOR3     | DS-260             |                     |               |       | S / O/S      | Information to locate boolean parameter  |
| 28  | BVALUE3       | Boolean            |                     | TRUE          |       | N            | Value from requested addresses.  |
| 29  | BLOCATOR4     | DS-260             |                     |               |       | S / O/S      | Information to locate boolean parameter  |
| 30  | BVALUE4       | Boolean            |                     | TRUE          |       | N            | Value from requested addresses.  |
| 31  | BLOCATOR5     | DS-260             |                     |               |       | S / O/S      | Information to locate boolean parameter  |
| 32  | BVALUE5       | Boolean            |                     | TRUE          |       | N            | Value from requested addresses.  |
| 33  | BLOCATOR6     | DS-260             |                     |               |       | S / O/S      | Information to locate boolean parameter  |
| 34  | BVALUE6       | Boolean            |                     | TRUE          |       | N            | Value from requested addresses.  |
| 35  | BLOCATOR7     | DS-260             |                     |               |       | S / O/S      | Information to locate boolean parameter  |
| 36  | BVALUE7       | Boolean            |                     | TRUE          |       | N            | Value from requested addresses.  |
| 37  | BLOCATOR8     | DS-260             |                     |               |       | S / O/S      | Information to locate boolean parameter  |
| 38  | BVALUE8       | Boolean            |                     | TRUE          |       | N            | Value from requested addresses.  |
| 39  | UPDATE_EVT    | DS-73              |                     |               | Na    | D            | This alert is generated by any change to the static data.  |

| Idx | Parameter | Data Type<br>(length) | Valid Range/<br>Options | Default<br>Value | Units | Store /<br>Mode | Description  |
|-----|-----------|-----------------------|-------------------------|------------------|-------|-----------------|--|
| 40  | BLOCK_ALM | DS-72                 |                         |                  | Na    | D               | The block alarm is used for all configuration, hardware, and connection failure or system problems in the block. The cause of the alert is entered in the subcode field. The first alert to become active will set the Active status in the Status attribute. As soon as the Unreported status is cleared by the alert reporting task, another block alert may be reported without clearing the Active status, if the subcode has changed. |

**Legend: E – Enumerated parameter; Na – Adimensional parameter; RO – Read only; D – dynamic; N – non-volatile; S – Static**

**Gray Background Line: Default Parameters of Syscon**

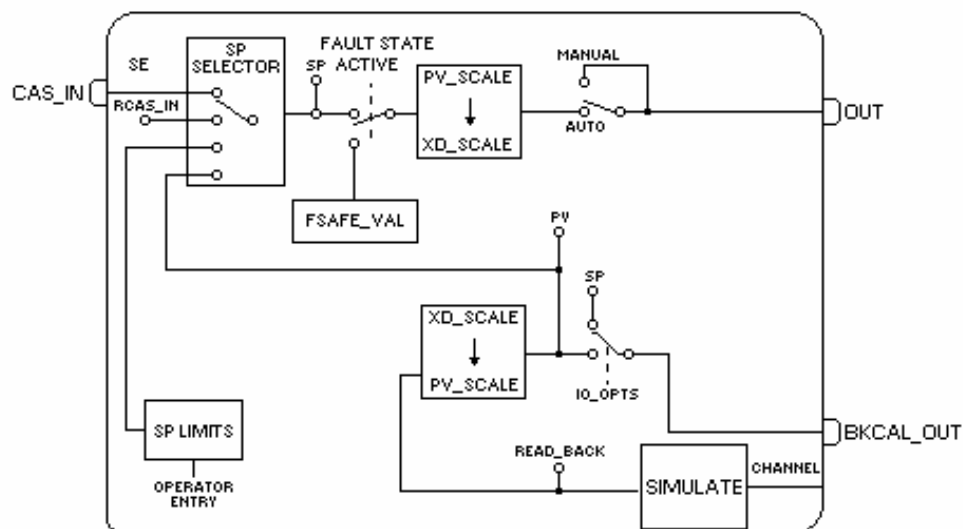
## Output Function Blocks

### AO - Analog Output

#### Overview

The Analog Output Block is a function block used by devices that work as output elements in a control loop, like valves, actuators, positioners, etc. The AO block receives a signal from another function block and passes its results to an output transducer block through an internal channel reference.

#### Schematic



#### Description

The AO block is connected to the transducer block through the CHANNEL parameter that must match with the following parameter in the transducer block: TERMINAL\_NUMBER parameter for the FI302

The CHANNEL parameter must be set to 1 (one) if the AO block is running in the FY302 or FP302, and no configuration is necessary in the transducer block to connect it to the AO block.

#### Treatment of Input Values

The SP value may be controlled automatically through a cascade or remote cascade control or manually by an operator. The PV\_SCALE and XD\_SCALE are used to do the scaling conversion of the SP.

#### Treatment of Output Values

The transducer scaling (XD\_SCALE) is used to convert percent of span to the number used by the transducer. This allows portions of the SP span to cause full span movement of the output.

$$\text{OUT} = \text{SP} \% * (\text{EU}_{100\%} - \text{EU}_{0\%}) + \text{EU}_{0\%} [\text{XD\_SCALE}]$$

The bit "Increase to Close" in IO\_OPTS allows the output to be inverted relative to the span of the input value. For example, if the SP is 100. (PV\_SCALE=0-100%; XD\_SCALE = 3-15Psi):  
If the "Increase to Close" bit in IO\_OPTS is clear, SP converted to OUT\_SCALE will be 15 psi. Therefore the actuator type will be "air to open".

If the "Increase to Close" bit in IO\_OPTS is true, SP converted to OUT\_SCALE will be 3 psi. Therefore the actuator type will be "air to close".

### Simulate

The SIMULATE parameter is used for the diagnostics and checkout purposes. When it is active, the transducer value and status will be overridden by the simulate value and status. The SIMULATE can be disabled either by software in the SIMULATE parameter or hardware through the jumper.

The SIMULATE structure is composed by the following attributes:

- Simulate Value and Status
- Transducer Value and Status
- Simulate Enable/Disable

The Transducer Value/Status attributes of SIMULATE parameter are always showing the value that the AO block receives from the corresponding transducer block.

There is a hardware jumper to disable the SIMULATE parameter. If this jumper is placed Off, then the simulation will be disabled. In this case, the user cannot change the ENABLE/DISABLE attribute. This jumper prevents simulation from accidentally being enabled during plant operations. When the jumper is placed ON, it will cause "Simulate Active" attribute in the BLOCK\_ERR of Resource block to be true.

If the following conditions exist, simulate will be activated:

- The simulate hardware jumper is not placed Off;
- The SIMULATE.ENABLE/DISABLE parameter is "Active".

When simulation is active, the READBACK and PV parameters will be calculated based on the attribute Simulate Value/Status of the SIMULATE parameter. Otherwise it will be that one supplied by the transducer block in the Transducer Value/Status attribute of the SIMULATE parameter.

### Readback parameter

If the hardware supports a readback value, such as valve position, then the value will be read by the transducer block and it will be provided to the corresponding AO block through the Transducer Value/Status attribute of the SIMULATE parameter. If not supported, the Transducer Value/Status attribute of the SIMULATE parameter is generated from AO.OUT by the transducer block.

The READBACK parameter has a copy of the Transducer Value/Status attribute of the SIMULATE parameter if the simulation is disabled, otherwise it is a copy of the Simulate Value/Status attribute of the SIMULATE parameter

The PV is the READBACK parameter converted to the PV\_SCALE, therefore the PV can be simulated through the SIMULATE parameter.

In addition, the block admits safe action as described early in the fault state processing. The AO block supports the mode-shedding feature as described early in the mode parameter.

### BLOCK\_ERR

The BLOCK\_ERR of the AO block will reflect the following causes:

- Block Configuration Error – the configuration error occurs when one or more of the following situations occur:
  - When the CHANNEL or SHED\_OPT parameters have an invalid value;
  - When the XD\_SCALE does not have a supported engineering unit and/or range for the respective the transducer block.
  - When the transducer block is in O/S mode.
  - When it is not compatible the CHANNEL parameter and HC configuration (DFI302).
- Simulate Active – When the Simulate is active.
- Local Override – When the block is in LO mode because the fault state is active.
- Output Failure – I/O module failure (DFI302)
- Out of Service – Occur when the block is in O/S mode.

### Supported Modes

O/S, IMAN, LO, MAN, AUTO, CAS and RCAS.

## Parameters

| Idx | Parameter   | Data Type (length) | Valid Range/ Options  | Default Value  | Units  | Store/ Mode | Description  |
|-----|-------------|--------------------|---|--|--------|-------------|--|
| 1   | ST_REV      | Unsigned16         |   | 0  | None   | S/RO        |  |
| 2   | TAG_DESC    | OctString(32)      |   | Spaces   | Na     | S           |  |
| 3   | STRATEGY    | Unsigned16         |   | 0  | None   | S           |  |
| 4   | ALERT_KEY   | Unsigned8          | 1 to 255  | 0  | None   | S           |  |
| 5   | MODE_BLK    | DS-69              |   | O/S  | Na     | S           | See Mode Parameter   |
| 6   | BLOCK_ERR   | Bitstring(2)       |   |  | E      | D/RO        |  |
| 7   | PV          | DS-65              |   |  | PV     | D / RO      | Process analog value.  |
| 8   | SP          | DS-65              | PV_SCALE +/- 10%  |  | PV     | N / Auto    | The analog set point. Can be set manually, automatically through the interface device or another field device.   |
| 9   | OUT         | DS-65              | XD_SCALE  |  | OUT    | N / Man     | The output value result to the transducer block.   |
| 10  | SIMULATE    | DS-82              | 1: Disable ;<br>2: Active<br>are the Enable/Disable options.          | Disable  |        | D           | Allows the readback value to be manually supplied when simulate is enabled. In this case, the simulate value and status will be the PV value.  |
| 11  | PV_SCALE    | DS-68              |   | 0-100%   | PV     | S / Man     | The high and low scale values to the SP parameter.   |
| 12  | XD_SCALE    | DS-68              | Depends on the device type. See the corresponding manual for details. | Depends on the Device type. See description for details. | XD     | S / Man     | The high and low scale values, to transducer for a specified channel.<br>The Default value for each Smar device is showed below:<br>FY302: 0 to 100 [%]<br>FP302 3 to 15 [psi]<br>FI302 4 to 20 [mA]<br>DFI302 0 to 100 [%]            |
| 13  | GRANT_DENY  | DS-70              |   | 0  | Na     | D           |  |
| 14  | IO_OPTS     | Bitstring(2)       | See Block Options   | 0  | Na     | S / O/S     | See Block Options  |
| 15  | STATUS_OPTS | Bitstring(2)       | See Block Options   | 0  | Na     | S / O/S     | See Block Options  |
| 16  | READBACK    | DS-65              |   |  | XD     | D / RO      | Indicate the readback of the actual position of the transducer, in transducer units.   |
| 17  | CAS_IN      | DS-65              |   |  |        | D           | This parameter is the remote setpoint value, which must come from another Fieldbus block, or a DCS block through a defined link.   |
| 18  | SP_RATE_DN  | Float              | Positive  | +INF   | PV/Sec | S           | Ramp rate at which upward setpoint changes in PV units per second. It is disable if is zero or +INF. Rate limiting will apply in AUTO, CAS and RCAS modes.   |
| 19  | SP_RATE_UP  | Float              | Positive  | +INF   | PV/Sec | S           | Ramp rate at which downward setpoint changes in PV units per second. It is disable if is zero or +INF. Rate limiting will apply in AUTO, CAS and RCAS modes.   |
| 20  | SP_HI_LIM   | Float              | PV_SCALE +/- 10%  | 100  | PV     | S           | The setpoint high limit is the highest setpoint operator entry that can be used for the block.   |
| 21  | SP_LO_LIM   | Float              | PV_SCALE +/- 10%  | 0  | PV     | S           | The setpoint low limit is the lowest setpoint operator entry that can be used for the block.   |
| 22  | CHANNEL     | Unsigned16         |   | 0  | None   | S / O/S     | For more details about .the configuration of this parameter, see Chapter 1 "CHANNEL Configuration".  |
| 23  | FSTATE_TIME | Float              | Positive  | 0  | Sec    | S           | The time in seconds to ignore the existence of a new fault state condition. If the fault state condition does not persist for FSTATE_TIME seconds and while this time does not elapse, the block will execute in the last actual mode. |

| Idx | Parameter  | Data Type (length) | Valid Range/ Options   | Default Value | Units | Store/ Mode | Description   |
|-----|------------|--------------------|--|---------------|-------|-------------|---|
| 24  | FSTATE_VAL | Float              | PV_SCALE +/- 10%   | 0             | PV    | S           | The preset analog SP value to use when fault occurs. This value will be used if the I/O option fault state to value is selected.  |
| 25  | BKCAL_OUT  | DS-65              |  |               | PV    | D / RO      | The value and status required by an upper block's BKCAL_IN so that the upper block may prevent reset windup and provide bumpless transfer to close the loop control.    |
| 26  | RCAS_IN    | DS-65              |  |               | PV    | D           | Target setpoint and status provided by a supervisory Host to an analog control or output block.   |
| 27  | SHED_OPT   | Unsigned8          | 1: NormalShed, NormalReturn<br>2: NormalShed, NoReturn<br>3: ShedToAuto, NormalReturn<br>4: ShedToAuto, NoReturn<br>5: ShedToMan, NormalReturn<br>6: ShedToMan, NoReturn<br>7: ShedToRetained Target, NormalReturn<br>8: ShedToRetained Target, NoReturn | 0             |       | S           | Defines action to be taken on remote control device timeout.  |
| 28  | RCAS_OUT   | DS-65              |  |               | PV    | D / RO      | Block setpoint and status after ramping – provided to a supervisory Host for back calculation and to allow action to be taken under limiting conditions or mode change. |
| 29  | UPDATE_EVT | DS-73              |  |               | Na    | D           |   |
| 30  | BLOCK_ALM  | DS-72              |  |               | Na    | D           |   |

Legend: E – Enumerated parameter; Na – Adimensional parameter; RO – Read only; D – dynamic; N – non-volatile; S – Static

Gray Background Line: Default Parameters of Syscon

If DIAG.BEHAVIOR parameter is “Adapted”:

The default value of CHANNEL is the lowest available number.

The default value of SHED\_OPT is NormalShed/NormalReturn.

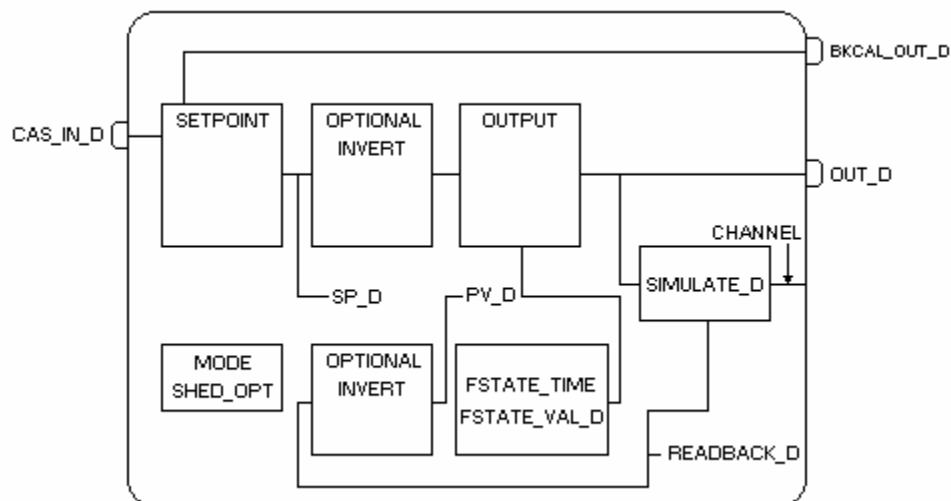
The required mode for writing is the actual mode, regardless the target mode: SP and OUT

## DO - Discrete Output

### Overview

The DO block converts the value in SP\_D to something useful for the hardware found at the CHANNEL selection.

### Schematic



### Description

The Invert I/O option can be used to do a Boolean NOT function between the SP\_D and the hardware.

The SP\_D supports the full cascade sub-function. Cas mode must be used to transfer the output of another block to the SP\_D of the DO.

There are additional I/O options which will cause the SP\_D value to track the PV\_D value when the block is in an actual mode of LO or Man.

If the hardware supports a readback value, it is used for READBACK\_D, which, after accounting for the Invert I/O option, acts as the PV\_D for this block. If not supported, READBACK\_D is generated from OUT\_D. The OUT\_D and READBACK\_D parameters both use XD\_STATE. The PV\_D and SP\_D use PV\_STATE.

### BLOCK\_ERR

The BLOCK\_ERR of the DO block will reflect the following causes:

- Block Configuration Error – the configuration error occurs when one or more of the following situations occur:
  - When the CHANNEL or SHED\_OPT parameters have an invalid value;
  - When it is not compatible the CHANNEL parameter and HC configuration (DFI302).
- Simulate Active – When the Simulate is active.
- Local Override – When the block is in LO mode because the fault state is active.
- Output Failure – I/O module failure (DFI302)
- Out of Service – Occur when the block is in O/S mode.

### Supported Modes

O/S, LO, Iman, Man, Auto, Cas, and RCas. The Man mode can be used to force the output, in a PLC sense. It may be that Man mode is not permitted, but it must be supported so that Man mode may be entered when leaving O/S. The IMan mode is used to indicate that there is no path to the final element.

Parameters

| Idx | Parameter    | Data Type (length) | Valid Range/ Options   | Default Value | Units | Store / Mode | Description  |
|-----|--------------|--------------------|--|---------------|-------|--------------|--|
| 1   | ST_REV       | Unsigned16         |  | 0             | None  | S/RO         |  |
| 2   | TAG_DESC     | OctString(32)      |  | Spaces        | Na    | S            |  |
| 3   | STRATEGY     | Unsigned16         |  | 0             | None  | S            |  |
| 4   | ALERT_KEY    | Unsigned8          | 1 to 255   | 0             | None  | S            |  |
| 5   | MODE_BLK     | DS-69              |  | O/S           | Na    | S            | See Mode Parameter   |
| 6   | BLOCK_ERR    | Bitstring(2)       |  |               | E     | D/RO         |  |
| 7   | PV_D         | DS-66              |  |               | PV    | D / RO       | Either the primary discrete value for use in executing the function, or a process value associated with it.<br><br>May also be calculated from the READBACK_D value of a DO block.   |
| 8   | SP_D         | DS-66              | PV_STATE   |               | PV    | N / Auto     | The discrete setpoint of this block.   |
| 9   | OUT_D        | DS-66              | OUT_STATE  |               | OUT   | N / Man      | The primary discrete value calculated as a result of executing the function.   |
| 10  | SIMULATE_D   | DS-83              | 1: Disable ;<br>2: Active<br>are the Enable/Disable options. | Disable       |       | D            | Allows the transducer discrete input or output to the block to be manually supplied when simulate is enabled. When simulation is disabled, the simulate value and status track the actual value and status.                            |
| 11  | PV_STATE     | Unsigned16         |  | 0             | PV    | S            | Index to the text describing the states of a discrete PV.  |
| 12  | XD_STATE     | Unsigned16         |  | 0             | XD    | S            | Index to the text describing the states of a discrete for the value obtained from the transducer.  |
| 13  | GRANT_DENY   | DS-70              |  | 0             | Na    | D            | Options for controlling access of host computer and local control panels to operating, tuning and alarm parameters of the block.   |
| 14  | IO_OPTS      | Bitstring(2)       | See Block Options  | 0             | Na    | S / O/S      | See Block Options  |
| 15  | STATUS_OPTS  | Bitstring(2)       | See Block Options  | 0             | Na    | S / O/S      | See Block Options  |
| 16  | READBACK_D   | DS-66              |  |               | XD    | D / RO       | This indicates the readback of the actual discrete valve or other actuator position, in the transducer state.  |
| 17  | CAS_IN_D     | DS-66              |  |               | PV    | D / RW       | This parameter is the remote setpoint value of a discrete block, which must come from another Fieldbus block, or a DCS block through a defined link.   |
| 18  | CHANNEL      | Unsigned16         |  | 0             | None  | S / O/S      | For more details about the configuration of this parameter, see Chapter 1 "CHANNEL Configuration".   |
| 19  | FSTATE_TIME  | Float              | Positive   | 0             | Sec   | S            | The time in seconds to ignore the existence of a new fault state condition. If the fault state condition does not persist for FSTATE_TIME seconds and while this time does not elapse, the block will execute in the last actual mode. |
| 20  | FSTATE_VAL_D | Unsigned8          |  | 0             | PV    | S            | The preset discrete SP_D value to use when fault occurs. This value will be used if the I/O option Fault State to value is selected.   |



| Idx | Parameter   | Data Type<br>(length) | Valid Range/<br>Options  | Default<br>Value | Units | Store /<br>Mode | Description  |
|-----|-------------|-----------------------|--|------------------|-------|-----------------|--|
| 21  | BKCAL_OUT_D | DS-66                 |  |                  | PV    | D / RO          | The output value and status provided to an upstream discrete block. This information is used to provide bumpless transfer to closed loop control.  |
| 22  | RCAS_IN_D   | DS-66                 |  |                  | PV    | D               | Target setpoint and status provided by a supervisory Host to a discrete control or output block.   |
| 23  | SHED_OPT    | Unsigned8             | 1: NormalShed, NormalReturn<br>2: NormalShed, NoReturn<br>3: ShedToAuto, NormalReturn<br>4: ShedToAuto, NoReturn<br>5: ShedToMan, NormalReturn<br>6: ShedToMan, NoReturn<br>7: ShedToRetainedTarget, NormalReturn<br>8: ShedToRetainedTarget, NoReturn | 0                |       | S               | Defines action to be taken on remote control device timeout.   |
| 24  | RCAS_OUT_D  | DS-66                 |  |                  | PV    | D / RO          | Block setpoint and status provided to a supervisory Host for back calculation and to allow action to be taken under limiting conditions or mode change.  |
| 25  | UPDATE_EVT  | DS-73                 |  |                  | Na    | D               | This alert is generated by any change to the static data.  |
| 26  | BLOCK_ALM   | DS-72                 |  |                  | Na    | D               | The block alarm is used for all configuration, hardware, and connection failure or system problems in the block. The cause of the alert is entered in the subcode field. The first alert to become active will set the Active status in the Status attribute. As soon as the Unreported status is cleared by the alert reporting task, another block alert may be reported without clearing the Active status, if the subcode has changed. |

Legend: E – Enumerated parameter; Na – Adimensional parameter; RO – Read only; D – dynamic; N – non-volatile; S – Static

Gray Background Line: Default Parameters of Syscon

## MAO - Multiple Analog Output

### Description

The MAO block makes available to the I/O subsystem its eight input parameters IN\_1 through IN\_8.

This function block has the same fault state characteristics as the AO block. It includes option to hold the last value or go to a preset value when fault state active, individual preset values for each point, besides a delay time to go into the fault state.

The actual mode will be LO only due to the resource block, otherwise bad status in input parameter and configuration of MO\_STATUS\_OPTS will not affect the mode calculation. However the functionality of fault state will be done only for that input parameter.

### BLOCK\_ERR

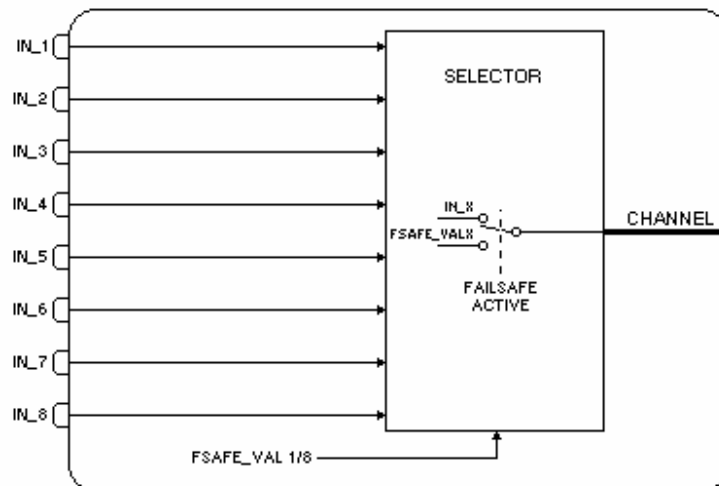
The BLOCK\_ERR of the MAO block will reflect the following causes:

- Other – the number of MDI, MDO, MAI and MAO blocks or the device tag in FB700 is different from LC700;
- Block Configuration Error – the configuration error occurs when the OCCURRENCE/CHANNEL has an invalid value;
- Output failure – the CPU of LC700 stopped working (FB700);
- Power up – there is no CPU of LC700 in the rack or the hardware configuration of LC700 has an error (FB700);
- Out of Service – When the block is in O/S mode.

### Supported Modes

O/S, LO and AUTO.

### Schematic



### Parameters

| Idx | Parameter | Data Type (length) | Valid Range/ Options | Default Value | Units | Store / Mode | Description        |
|-----|-----------|--------------------|----------------------|---------------|-------|--------------|--------------------|
| 1   | ST_REV    | Unsigned16         |                      | 0             | None  | S/RO         |                    |
| 2   | TAG_DESC  | OctString(32)      |                      | Spaces        | Na    | S            |                    |
| 3   | STRATEGY  | Unsigned16         |                      | 0             | None  | S            |                    |
| 4   | ALERT_KEY | Unsigned8          | 1 to 255             | 0             | None  | S            |                    |
| 5   | MODE_BLK  | DS-69              |                      | O/S           | Na    | S            | See Mode Parameter |

| Idx | Parameter  | Data Type (length) | Valid Range/ Options | Default Value | Units | Store / Mode | Description  |
|-----|--|--------------------|----------------------|---------------|-------|--------------|--|
| 6   | BLOCK_ERR  | Bitstring(2)       |                      |               | E     | D/RO         |  |
| 7   | OCCURRENCE / CHANNEL   | Unsigned16         |                      | 0             | None  | S / O/S      | For more details about the configuration of this parameter, see Chapter 1 "CHANNEL Configuration". It defines the transducer to be used going to or from the physical world. It addresses a group of eight points.                     |
| 8   | IN_1   | DS-65              |                      |               |       | D            | Numbered input 1.  |
| 9   | IN_2   | DS-65              |                      |               |       | D            | Numbered input 2.  |
| 10  | IN_3   | DS-65              |                      |               |       | D            | Numbered input 3.  |
| 11  | IN_4   | DS-65              |                      |               |       | D            | Numbered input 4.  |
| 12  | IN_5   | DS-65              |                      |               |       | D            | Numbered input 5.  |
| 13  | IN_6   | DS-65              |                      |               |       | D            | Numbered input 6.  |
| 14  | IN_7   | DS-65              |                      |               |       | D            | Numbered input 7.  |
| 15  | IN_8   | DS-65              |                      |               |       | D            | Numbered input 8.  |
| 16  | MO_OPTS<br>(different bit description in profile revision 1) | Bitstring(2)       | See Block Options    | 0             | Na    | S / O/S      | See Block Options  |
| 17  | MO_STATUS_OPTIONS<br>(not available in profile revision 1)   | Bitstring(2)       | See Block Options    | 0             | Na    | S / O/S      | See Block Options  |
| 18  | FSTATE_TIME  | Float              | Positive             | 0             | Sec   | S            | The time in seconds to ignore the existence of a new fault state condition. If the fault state condition does not persist for FSTATE_TIME seconds and while this time does not elapse, the block will execute in the last actual mode. |
| 19  | FSTATE_VAL1  | Float              |                      | 0             |       | S            | The preset analog value to use when failure occurs in IN_1. Ignored if the "Fault state to value 1" in the MO_OPTS parameter is false.   |
| 20  | FSTATE_VAL2  | Float              |                      | 0             |       | S            | The preset analog value to use when failure occurs in IN_2. Ignored if the "Fault state to value 2" in the MO_OPTS parameter is false.   |
| 21  | FSTATE_VAL3  | Float              |                      | 0             |       | S            | The preset analog value to use when failure occurs in IN_3. Ignored if the "Fault state to value 3" in the MO_OPTS parameter is false.   |
| 22  | FSTATE_VAL4  | Float              |                      | 0             |       | S            | The preset analog value to use when failure occurs in IN_4. Ignored if the "Fault state to value 4" in the MO_OPTS parameter is false.   |
| 23  | FSTATE_VAL5  | Float              |                      | 0             |       | S            | The preset analog value to use when failure occurs in IN_5. Ignored if the "Fault state to value 5" in the MO_OPTS parameter is false.   |
| 24  | FSTATE_VAL6  | Float              |                      | 0             |       | S            | The preset analog value to use when failure occurs in IN_6. Ignored if the "Fault state to value 6" in the MO_OPTS parameter is false.   |
| 25  | FSTATE_VAL7  | Float              |                      | 0             |       | S            | The preset analog value to use when failure occurs in IN_7. Ignored if the "Fault state to value 7" in the MO_OPTS parameter is false.   |
| 26  | FSTATE_VAL8  | Float              |                      | 0             |       | S            | The preset analog value to use when failure occurs in IN_8. Ignored if the "Fault state to value 8" in the MO_OPTS parameter is false.   |
| 27  | FSTATE_STATUS  | Unsigned8          |                      |               | None  | D / RO       | It shows which points are in fault state active.   |
| 28  | UPDATE_EVT   | DS-73              |                      |               | Na    | D            | This alert is generated by any change to the static data.  |

| Idx | Parameter | Data Type (length) | Valid Range/ Options | Default Value | Units | Store / Mode | Description  |
|-----|-----------|--------------------|----------------------|---------------|-------|--------------|--|
| 29  | BLOCK_ALM | DS-72              |                      |               | Na    | D            | The block alarm is used for all configuration, hardware, and connection failure or system problems in the block. The cause of the alert is entered in the subcode field. The first alert to become active will set the Active status in the Status attribute. As soon as the Unreported status is cleared by the alert reporting task, another block alert may be reported without clearing the Active status, if the subcode has changed. |

Legend: E – Enumerated parameter; Na – Adimensional parameter; RO – Read only; D – dynamic; N – non-volatile; S – Static

Gray Background Line: Default Parameters of Syscon

If DIAG.BEHAVIOR parameter is “Adapted”:

The default value of OCCURRENCE is the number of MAO blocks instantiated for the block.

**Observation**

| Device type             | Description  |
|-------------------------|--|
| FB700                   | Block has OCCURRENCE parameter. The UPDATE_EVT and BLOCK_ALM parameters are inverted. Block has MO_STATUS_OPTS.                  |
| DFI302, DC302 and HI302 | Block has CHANNEL parameter.<br>MO_OPTS has a different bit description<br>MO_STATUS_OPTS is not available in profile revision 1 |

## MDO - Multiple Discrete Output

### Description

The MDO block makes available to the I/O subsystem its eight input parameters IN\_D1 through IN\_D8.

This function block has the same fault state characteristics as the DO block. It includes option to hold the last value or go to a preset value when fault state active, individual preset values for each point, besides a delay time to go into the fault state.

The actual mode will be LO only due to the resource block, otherwise bad status in input parameter and configuration of MO\_STATUS\_OPTS will not affect the mode calculation. However the functionality of fault state will be done only for that input parameter.

The parameter FSTATE\_STATE shows which points are in fault state active.

### BLOCK\_ERR

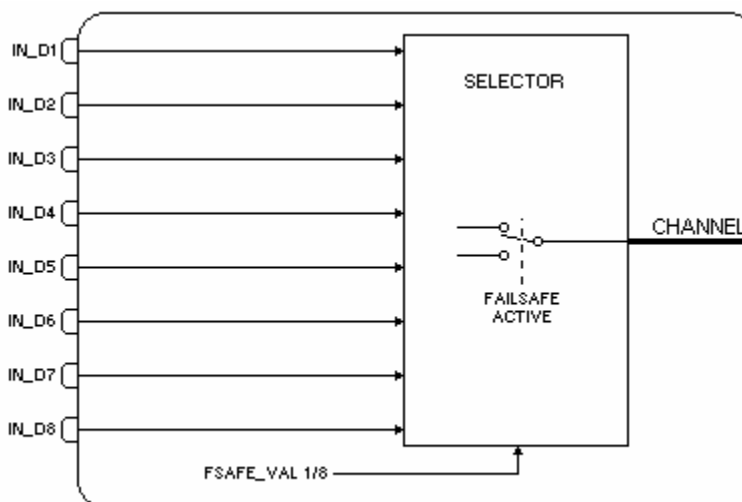
The BLOCK\_ERR of the MDO block will reflect the following causes:

- Other – the number of MDI, MDO, MAI and MAO blocks or the device tag in FB700 is different from LC700;
- Block Configuration Error – the configuration error occurs when the OCCURRENCE / CHANNEL has an invalid value (FB700);
- Output failure – the CPU of LC700 stopped working (FB700);
- Power up – there is no CPU of LC700 in the rack or the hardware configuration of LC700 has an error (FB700);
- Out of Service – When the block is in O/S mode.

### Supported Modes

O/S, LO and AUTO.

### Schematic



### Parameters

| Idx | Parameter | Data Type (length) | Valid Range/ Options | Default Value | Units | Store/ Mode | Description |
|-----|-----------|--------------------|----------------------|---------------|-------|-------------|-------------|
| 1   | ST_REV    | Unsigned16         |                      | 0             | None  | S/RO        |             |
| 2   | TAG_DESC  | OctString(32)      |                      | Spaces        | Na    | S           |             |
| 3   | STRATEGY  | Unsigned16         |                      | 0             | None  | S           |             |
| 4   | ALERT_KEY | Unsigned8          | 1 to 255             | 0             | None  | S           |             |

| Idx | Parameter  | Data Type (length) | Valid Range/ Options | Default Value | Units | Store/ Mode | Description  |
|-----|--|--------------------|----------------------|---------------|-------|-------------|--|
| 5   | MODE_BLK   | DS-69              |                      | O/S           | Na    | S           | See Mode Parameter   |
| 6   | BLOCK_ERR  | Bitstring(2)       |                      |               | E     | D/RO        |  |
| 7   | OCCURRENCE / CHANNEL   | Unsigned16         |                      | 0             | None  | S / O/S     | For more details about the configuration of this parameter, see Chapter 1 "CHANNEL Configuration". It defines the transducer to be used going to or from the physical world. It addresses a group of eight points.                     |
| 8   | IN_D1  | DS-66              |                      |               |       | D           | Numbered discrete input 1.   |
| 9   | IN_D2  | DS-66              |                      |               |       | D           | Numbered discrete input 2.   |
| 10  | IN_D3  | DS-66              |                      |               |       | D           | Numbered discrete input 3.   |
| 11  | IN_D4  | DS-66              |                      |               |       | D           | Numbered discrete input 4.   |
| 12  | IN_D5  | DS-66              |                      |               |       | D           | Numbered discrete input 5.   |
| 13  | IN_D6  | DS-66              |                      |               |       | D           | Numbered discrete input 6.   |
| 14  | IN_D7  | DS-66              |                      |               |       | D           | Numbered discrete input 7.   |
| 15  | IN_D8  | DS-66              |                      |               |       | D           | Numbered discrete input 8.   |
| 16  | MO_OPTS<br>(different bit description in profile revision 1) | Bitstring(2)       | See Block Options    | 0             | Na    | S / O/S     | See Block Options  |
| 17  | MO_STATUS_OPTS<br>(not available in profile revision 1)      | Bitstring(2)       | See Block Options    | 0             | Na    | S / O/S     | See Block Options  |
| 18  | FSTATE_TIME  | Float              | Positive             | 0             | Sec   | S           | The time in seconds to ignore the existence of a new fault state condition. If the fault state condition does not persist for FSTATE_TIME seconds and while this time does not elapse, the block will execute in the last actual mode. |
| 19  | FSTATE_VAL_D1  | Unsigned8          |                      | 0             |       | S           | The preset discrete value to use when failure occurs in IN_D1. Ignored if the "Fault state to value 1" in the MO_OPTS parameter is false.  |
| 20  | FSTATE_VAL_D2  | Unsigned8          |                      | 0             |       | S           | The preset discrete value to use when failure occurs in IN_D2. Ignored if the "Fault state to value 2" in the MO_OPTS parameter is false.  |
| 21  | FSTATE_VAL_D3  | Unsigned8          |                      | 0             |       | S           | The preset discrete value to use when failure occurs in IN_D3. Ignored if the "Fault state to value 3" in the MO_OPTS parameter is false.  |
| 22  | FSTATE_VAL_D4  | Unsigned8          |                      | 0             |       | S           | The preset discrete value to use when failure occurs in IN_D4. Ignored if the "Fault state to value 4" in the MO_OPTS parameter is false.  |
| 23  | FSTATE_VAL_D5  | Unsigned8          |                      | 0             |       | S           | The preset discrete value to use when failure occurs in IN_D5. Ignored if the "Fault state to value 5" in the MO_OPTS parameter is false.  |
| 24  | FSTATE_VAL_D6  | Unsigned8          |                      | 0             |       | S           | The preset discrete value to use when failure occurs in IN_D6. Ignored if the "Fault state to value 6" in the MO_OPTS parameter is false.  |
| 25  | FSTATE_VAL_D7  | Unsigned8          |                      | 0             |       | S           | The preset discrete value to use when failure occurs in IN_D7. Ignored if the "Fault state to value 7" in the MO_OPTS parameter is false.  |
| 26  | FSTATE_VAL_D8  | Unsigned8          |                      | 0             |       | S           | The preset discrete value to use when failure occurs in IN_D8. Ignored if the "Fault state to value 8" in the MO_OPTS parameter is false.  |
| 27  | FSTATE_STATUS  | Unsigned8          |                      |               | None  | D / RO      | It shows which points are in fault state active.   |
| 28  | UPDATE_EVT   | DS-73              |                      |               | Na    | D           | This alert is generated by any change to the static data.  |

| Idx | Parameter | Data Type<br>(length) | Valid Range/<br>Options | Default<br>Value | Units | Store/<br>Mode | Description  |
|-----|-----------|-----------------------|-------------------------|------------------|-------|----------------|--|
| 29  | BLOCK_ALM | DS-72                 |                         |                  | Na    | D              | The block alarm is used for all configuration, hardware, and connection failure or system problems in the block. The cause of the alert is entered in the subcode field. The first alert to become active will set the Active status in the Status attribute. As soon as the Unreported status is cleared by the alert reporting task, another block alert may be reported without clearing the Active status, if the subcode has changed. |

**Legend:** E – Enumerated parameter; Na – Adimensional parameter; RO – Read only; D – dynamic; N – non-volatile; S – Static

**Gray Background Line: Default Parameters of Syscon**

**If DIAG.BEHAVIOR parameter is “Adapted”:**

The default value of OCCURRENCE is the number of MDO blocks instantiated in the profile revision 0.

#### Observation

| Device type                   | Description  |
|-------------------------------|--|
| FB700                         | Block has OCCURRENCE parameter. The UPDATE_EVT and BLOCK_ALM parameters are inverted. Block has MO_STATUS_OPTS.                  |
| DFI302,<br>DC302 and<br>HI302 | Block has CHANNEL parameter.<br>MO_OPTS has a different bit description<br>MO_STATUS_OPTS is not available in profile revision 1 |

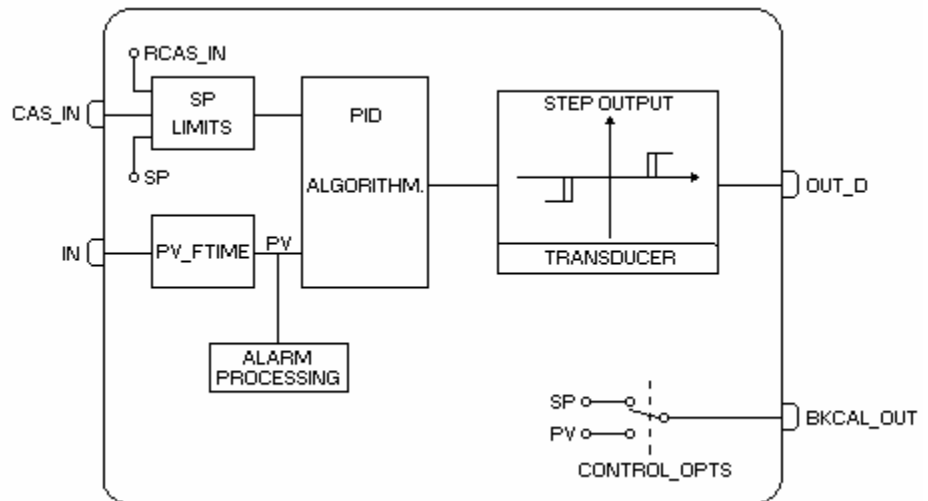
## STEP – Step Output Pid

### Overview

A Step Control Output block is used most commonly, when the final control element has an actuator driven by an electric motor. The final control element is positioned by rotating the motor clockwise or anticlockwise, which is accomplished by activating a discrete signal for each direction. A control valve, for example, needs a signal to open and another to close. If none of the signals is present, the valve stem would stay at the same position.

Fieldbus actuators and switchgears are the transducer blocks of this block.

### Schematic



### Description

As shown on Fig.1, electric actuators require a switchgear module to power the electric motor and reverse it as demanded by the control loop. Most of the electric actuators require an interlock circuit to prevent the motor to overheat, or even burn, when the actuator reaches one of the travel limits or something blocks the movement in any direction, increasing the torque beyond an established limit. These actuators are normally equipped with torque switches and limit switches to provide this kind of protection.



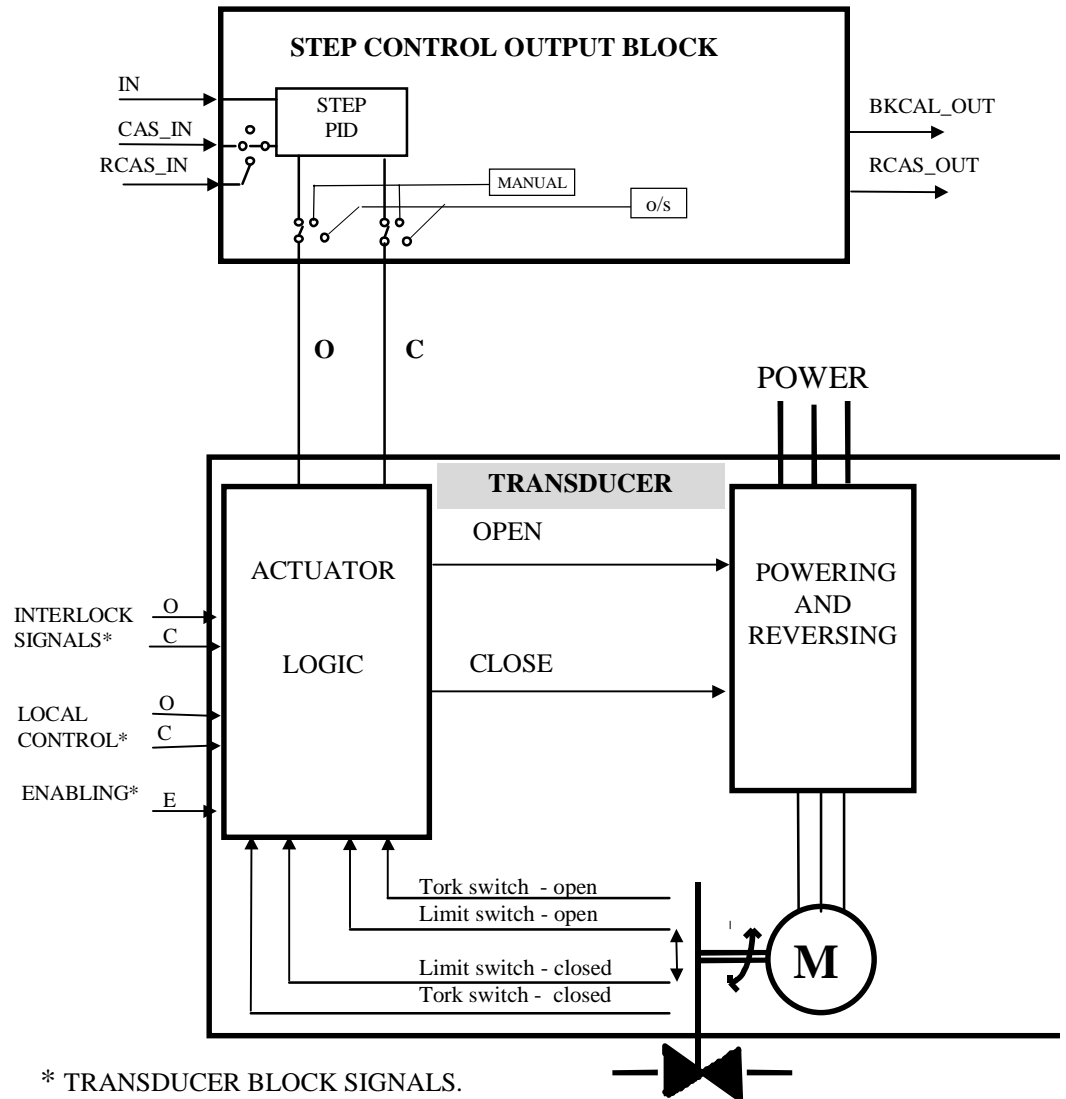


Fig.1- Electric Actuator

**Using a standard PID controller in cascade with a PI Step Controller.**

The slave process variable is the position of the final control element, as shown in Fig.2. Controlling the process variable regardless of the valve position measurement.

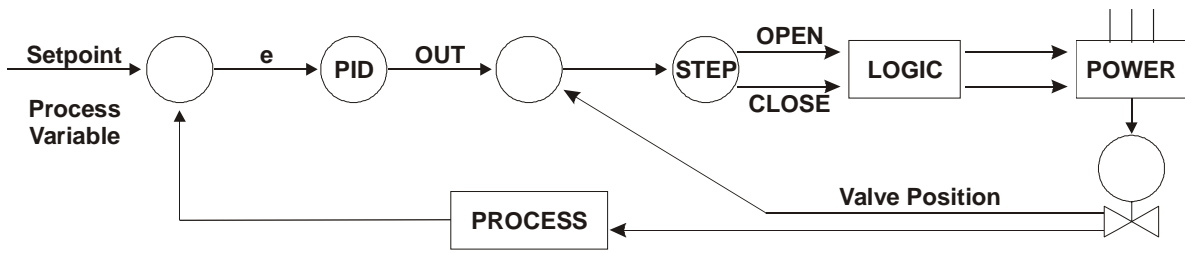


Fig. 2 - Step controller working as a positioner.

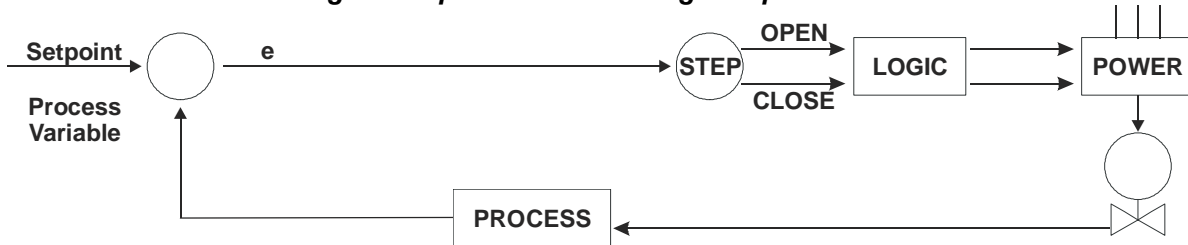


Fig. 3 - Step Controller

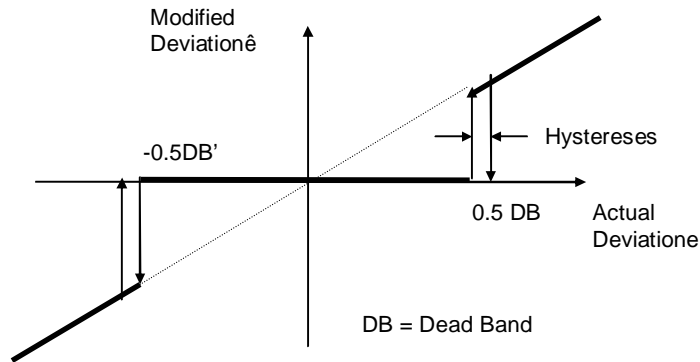


Fig. 4 - Modified deviation or gap deviation

The actuator has a Travel Time, that is the time it takes to drive the final control element from one end limit to another. For a control valve, for example, it is the time required to drive it from closed to completely open.

The proportional action will actuate the final control element in the required direction during a time proportional to:

$$t_p = [\text{GAIN}] * (\hat{e} / 100) * [\text{TRAVEL\_TIME}] \dots (\text{s})$$

If the proportional action is not enough to turn  $\hat{e} = 0$ , the Integral Action will move the final control element at a speed of:

$$V = [\text{GAIN}] * \hat{e} / [\text{RESET}] \dots (\% / \text{s})$$

where the reset is the Integral time constant in seconds.

As most of the actuators work with constant and fixed speed, they can not give a speed larger than:

$$\text{Maximum speed} = 100\% / [\text{TRAVEL\_TIME}] \dots (\% / \text{s})$$

while the smaller speeds required by the Integral action are obtained by giving pulses of a specified duration [PULSE\_DUR]. Each pulse will move the final control element a  $\Delta x$  % in the required direction.

$$\Delta x \% = [\text{PULSE\_DUR}] * 100\% / [\text{TRAVEL\_TIME}] \dots (\%)$$

The pulse frequency is given by:

$$f = V / \Delta x \% \dots \dots \dots (\text{pulses} / \text{s})$$

The Derivative or Rate action is given by:

$$t_D = [\text{GAIN}] * (d\hat{e}/dt) * [\text{RATE}]$$

Where Rate is the derivative time constant in seconds and  $d\hat{e}/dt$  can be calculated in several ways, including derivative gain, filtering, etc.

The PID Step Controller activates the OPEN or CLOSE signals according to the modified deviation,  $\hat{e}$ , the PID parameters and the other parameters in the following way:

The signal is activated during a time equivalent to:

$$= t_P + t_D$$

If the modified deviation is still different of zero, the Integral or Reset action will give pulses with a duration defined by [PULSE\_DUR], with a frequency calculated by "f." t and f are dynamically modified by  $\hat{e}$ .

In order to avoid the Reset wind-up, the actuation time in one direction must be integrated and limited.

If the actuation time in one direction is larger than the [TRAVEL\_TIME], there is no use in making the respective output signal to pulse, therefore it is recommendable to maintain it continuously activated.

The block provides a full PV and Deviation alarm support.

The meaning of possible values for OUT\_D are :

OUT\_D.value = 0 → Stop

OUT\_D.value = 1 → Close

OUT\_D.value = 2 → Open

As the STEP block requires two discrete outputs, when setting the CHANNEL parameter, indeed two outputs are allocated. The value of CHANNEL points to the CLOSE output, and the next channel points to the OPEN output.

### Supported Modes

*Out-of-service, Manual, Auto, CAS and RCAS* are supported.

In *Out-of-service* mode, the status of the output will be Out-of -service.

In *Manual* mode, the OUT\_D can be set by the operator. The block stops output calculation.

In *Auto* mode the block operates normally.

In *CAS* (cascade), the Setpoint is supplied by another function block through the CAS\_IN parameter.

In *RCAS* the block setpoint is set by a control application running on a computer, DCS or PLC.

### Status Handling

The status of OUT\_Di shall reflect the worst quality of the status of any connected input.

### Initial Value Handling

The initial value of OUT\_Di should be zero, that is, no action in both directions and the Integral action value should also go to zero.

Parameters

| Idx | Parameter    | Data Type (length) | Valid Range/ Options | Default Value | Units  | Store / Mode | Description  |
|-----|--------------|--------------------|----------------------|---------------|--------|--------------|--|
| 1   | ST_REV       | Unsigned16         |                      | 0             | None   | S/RO         |  |
| 2   | TAG_DESC     | OctString(32)      |                      | Spaces        | Na     | S            |  |
| 3   | STRATEGY     | Unsigned16         |                      | 0             | None   | S            |  |
| 4   | ALERT_KEY    | Unsigned8          | 1 to 255             | 0             | None   | S            |  |
| 5   | MODE_BLK     | DS-69              |                      | O/S           | Na     | S            | See Mode Parameter   |
| 6   | BLOCK_ERR    | Bitstring(2)       |                      |               | E      | D / RO       |  |
| 7   | PV           | DS-65              |                      |               | PV     | D / RO       | Process analog value. This is the IN value after pass over the PV filter.  |
| 8   | SP           | DS-65              | PV_SCALE +/- 10%     |               | PV     | N / Auto     | The analog set point. Can be set manually, automatically through the interface device or another field device.   |
| 9   | OUT_D        | DS-66              |                      |               |        | N / Man      | The output value result of the Step Output PID calculation.  |
| 10  | PV_SCALE     | DS-68              |                      | 0-100%        | PV     | S / Man      | The high and low scale values to the PV and SP parameter.  |
| 11  | XD_STATE     | Unsigned16         |                      | 0             | XD     | S            | Index to the text describing the states of a discrete for the value obtained from the transducer.  |
| 12  | GRANT_DENY   | DS-70              |                      | 0             | na     | D            | Options for controlling access of host computer and local control panels to operating, tuning and alarm parameters of the block.   |
| 13  | CONTROL_OPTS | Bitstring(2)       | See Block Options    | 0             | na     | S / O/S      | See Block Options  |
| 14  | STATUS_OPTS  | Bitstring(2)       | See Block Options    | 0             | Na     | S / O/S      | See Block Options  |
| 15  | IN           | DS-65              |                      |               | PV     | D            | The primary input value of the block, or PV value.   |
| 16  | PV_FTIME     | Float              | Non-Negative         | 0             | Sec    | S            | Time constant of a single exponential filter for the PV, in seconds.   |
| 17  | JOG_TIME     | Float              | Positive             | 0             | Sec    | S            | Duration of OUT_D in the active state when commanded by the operator to jog open or jog closed.  |
| 18  | CAS_IN       | DS-65              |                      |               |        | D            | This parameter is the remote setpoint value, which must come from another Fieldbus block, or a DCS block through a defined link.   |
| 19  | SP_RATE_DN   | Float              | Positive             | +INF          | PV/Sec | S            | Ramp rate at which upward setpoint changes in PV units per second. It is disable if is zero or +INF. Rate limiting will apply only in AUTO mode.   |
| 20  | SP_RATE_UP   | Float              | Positive             | +INF          | PV/Sec | S            | Ramp rate at which downward setpoint changes in PV units per second. It is disable if is zero or +INF. Rate limiting will apply only in AUTO mode.   |
| 21  | SP_HI_LIM    | Float              | PV_SCALE +/- 10%     | 100           | PV     | S            | The setpoint high limit is the highest setpoint operator entry that can be used for the block.   |
| 22  | SP_LO_LIM    | Float              | PV_SCALE +/- 10%     | 0             | PV     | S            | The setpoint low limit is the lowest setpoint operator entry that can be used for the block.   |
| 23  | GAIN         | Float              |                      | 0             | None   | S            | Proportional term of the PID. It is the Kp value.  |
| 24  | RESET        | Float              | Positive             | +INF          | sec    | S            | Integral term of the PID. It is the Tr value.  |
| 25  | BAL_TIME     | Float              | Positive             | 0             | sec    | S            | This specifies the time for the internal working value of bias or ratio to return to the operator set bias or ratio, in seconds.<br>In the PID block, it may be used to specify the time constant at which the integral term will move to obtain balance when the output is limited and the mode is Auto, Cas, or RCas.  |
| 26  | RATE         | Float              | Positive             | 0             | sec    | S            | Derivative term of the PID. It is the Td value.  |
| 27  | IO_OPTS      | Bitstring(2)       | See Block Options    | 0             | na     | S / O/S      | See Block Options  |
| 28  | CHANNEL      | Unsigned16         |                      | 0             | None   | S / O/S      | For more details about the configuration of this parameter, see Chapter 1 "CHANNEL Configuration".<br>In the DF302, this parameter is selecting two discrete outputs. The first one is the CLOSE output and the next point in the same group will be the OPEN output.<br>The CHANNEL parameter will be addressing the CLOSE output, despite of it is allocating the OPEN output too. |

| Idx | Parameter    | Data Type (length) | Valid Range/ Options   | Default Value | Units | Store / Mode | Description  |
|-----|--------------|--------------------|--|---------------|-------|--------------|--|
| 29  | FSTATE_TIME  | Float              | Positive   | 0             | Sec   | S            | The time in seconds from detection of fault of the output block remote setpoint to the output action of the block output if the condition still exists.  |
| 30  | FSTATE_VAL_D | Unsigned8          |  | 0             |       | S            | The preset discrete SP_D value to use when fault occurs. This value will be used if the I/O option Fault State to value is selected.   |
| 31  | BKCAL_OUT    | DS-65              |  |               | PV    | D / RO       | <b>The value and status required by an upper block's BKCAL_IN so that the upper block may prevent reset windup and provide bumpless transfer to closed loop control.</b>   |
| 32  | RCAS_IN      | DS-65              |  |               | PV    | D            | Target setpoint and status provided by a supervisory Host to a analog control or output block.   |
| 33  | SHED_OPT     | Unsigned8          | 1: NormalShed, NormalReturn<br>2: NormalShed, NoReturn<br>3: ShedToAuto, NormalReturn<br>4: ShedToAuto, NoReturn<br>5: ShedToMan, NormalReturn<br>6: ShedToMan, NoReturn<br>7: ShedToRetainedTarget, NormalReturn<br>8: ShedToRetainedTarget, NoReturn | 0             |       | S            | Defines action to be taken on remote control device timeout.   |
| 34  | RCAS_OUT     | DS-65              |  |               | PV    | D / RO       | Block setpoint and status after ramping - provided to a supervisory Host for back calculation and to allow action to be taken under limiting conditions or mode change.  |
| 35  | TRAVEL_TIME  | Float              | Positive   | 60            | Sec   | S / Man      | The time required by the actuator to drive the final control element from one end position to another, in seconds.   |
| 36  | PULSE_DUR    | Float              | Positive   | 1             | Sec   | S / Man      | It is the width, in seconds, of the pulses given due to the integral action.   |
| 37  | DEAD_BAND    | Float              | Non-negative   | 0             | %     | S / Man      | It is the interval where changes in the Input will not change the output   |
| 38  | HYSTERESIS   | Float              | Non-negative   | 0             | %     | S / Man      | Difference between the switching points.   |
| 39  | UPDATE_EVT   | DS-73              |  |               | Na    | D            | This alert is generated by any change to the static data.  |
| 40  | BLOCK_ALM    | DS-72              |  |               | Na    | D            | The block alarm is used for all configuration, hardware, connection failure or system problems in the block. The cause of the alert is entered in the subcode field. The first alert to become active will set the Active status in the Status attribute. As soon as the Unreported status is cleared by the alert reporting task, another block alert may be reported without clearing the Active status, if the subcode has changed. |
| 41  | ALARM_SUM    | DS-74              | See Block Options  |               | Na    | S            | The current alert status, unacknowledged states, unreported states, and disabled states of the alarms associated with the function block.  |
| 42  | ACK_OPTION   | Bitstring(2)       | 0: Auto ACK Disable<br>1: Auto ACK Enable  | 0             | Na    | S            | Selection of whether alarms associated with the block will be automatically acknowledged   |

| Idx | Parameter | Data Type (length) | Valid Range/ Options | Default Value | Units | Store / Mode | Description   |
|-----|-----------|--------------------|----------------------|---------------|-------|--------------|---|
| 43  | ALARM_HYS | Float              | 0 to 50 %            | 0.5%          | %     | S            | Alarm hysteresis parameter. In order to clear the alarm the amount the PV must return within the alarm limit plus hysteresis. |
| 44  | HI_HI_PRI | Unsigned8          | 0 to 15              | 0             |       | S            | Priority of the high high alarm.  |
| 45  | HI_HI_LIM | Float              | OUT_SCALE, +INF      | +INF          | PV    | S            | The setting for high high alarm in engineering units.   |
| 46  | HI_PRI    | Unsigned8          | 0 to 15              | 0             |       | S            | Priority of the high alarm.   |
| 47  | HI_LIM    | Float              | OUT_SCALE, +INF      | +INF          | PV    | S            | The setting for high alarm in engineering units.  |
| 48  | LO_PRI    | Unsigned8          | 0 to 15              | 0             |       | S            | Priority of the low alarm.  |
| 49  | LO_LIM    | Float              | OUT_SCALE, -INF      | -INF          | PV    | S            | The setting for low alarm in engineering units.   |
| 50  | LO_LO_PRI | Unsigned8          | 0 to 15              | 0             |       | S            | Priority of the low low alarm.  |
| 51  | LO_LO_LIM | Float              | OUT_SCALE, -INF      | -INF          | PV    | S            | The setting for low low alarm in engineering units.   |
| 52  | DV_HI_PRI | Unsigned8          | 0 to 15              | 0             |       | S            | Priority of the deviation high alarm.   |
| 53  | DV_HI_LIM | Float              | 0 to PV span, +INF   | +INF          | PV    | S            | The setting for deviation high alarm in engineering units.  |
| 54  | DV_LO_PRI | Unsigned8          | 0 to 15              | 0             |       | S            | Priority of the deviation low alarm.  |
| 55  | DV_LO_LIM | Float              | -INF, -PV span to 0  | -INF          | PV    | S            | The setting for deviation low alarm in engineering units.   |
| 56  | HI_HI_ALM | DS-71              |                      |               | PV    | D            | The status for high high alarm and its associated time stamp.   |
| 57  | HI_ALM    | DS-71              |                      |               | PV    | D            | The status for high alarm and its associated time stamp.  |
| 58  | LO_ALM    | DS-71              |                      |               | PV    | D            | The status for low alarm and its associated time stamp.   |
| 59  | LO_LO_ALM | DS-71              |                      |               | PV    | D            | The status for low low alarm and its associated time stamp.   |
| 60  | DV_HI_ALM | DS-71              |                      |               | PV    | D            | The status for deviation high alarm and its associated time stamp.  |
| 61  | DV_LO_ALM | DS-71              |                      |               | PV    | D            | The status for deviation low alarm and its associated time stamp.   |

Legend: E – Enumerated parameter; Na – Adimensional parameter; RO – Read only; D – dynamic; N – non-volatile; S – Static

Gray Background Line: Default Parameters of Syscon

## Output Transducer Blocks

### FR302 – Fieldbus Relay

#### Description

Using the transducer block the user can see the output relay type definition.

#### Supported Modes

OOS and Auto

#### Parameters

| Idx | Parameter            | Data Type (length) | Valid Range/Options   | Default Value            | Units | Store | Description   |
|-----|----------------------|--------------------|---|--------------------------|-------|-------|---|
| 9   | TRANSDUCER_DIRECTORY | Unsigned16         |   | 0                        | None  | S     | A directory that specifies the number and the starting indices of the transducers in the transducer block.                                    |
| 10  | TRANSDUCER_TYPE      | Unsigned16         | Other (0xffff)  | Other (0xffff)           | None  | S     | Identifies the transducer that follows.   |
| 11  | XD_ERROR             | Unsigned8          | Default Value Set (0x10)<br>General Error (0x11)<br>Calibration Error (0x12)<br>Configuration Error (0x13)<br>Electronics Failure (0x14)<br>Mechanical Failure (0x15)<br>I/O Failure (0x16)<br>Data Integrity Error (0x17)<br>Software Error (0x18)<br>Algorithm Error (0x19) | Default Value Set (0x10) | None  | D     | Define an error code.   |
| 12  | COLLECTION_DIRECTORY | Unsigned           | 0   | 0                        | None  | S     | A directory that specifies the number, the starting indices, and DD Item IDs of data collections in each transducers in the transducer block. |
| 13  | OUTPUT_RELAY_TYPE    | Unsigned8          | Not Initialized. (0x0)<br>Both Normally Opened. (0x1)<br>Both Normally Closed. (0x2)<br>One Normally Opened and other Normally Closed. (0x3)  | Not Initialized. (0x0)   | None  | S     | The type of each output relay.  |
| 14  | SERIAL_NUMBER        | Unsigned32         | 0 to 4294967296   | 0                        | None  | S     | The device serial number  |
| 15  | ORDERING_CODE        | Visible String[50] |   | Spaces                   | None  | S     | Indicates informations about the sensor and control from production factory.  |

## FY302 – Fieldbus Positioner Transducer

### Description

The fieldbus positioner transducer receives the demanded valve position FINAL\_VALUE from the AO block and uses it as a setpoint for a PID servo-positioning algorithm with adjustable gains SERVO\_GAIN and SERVO\_RESET. The transducer block also makes the corrected actual position sensor reading RETURN available to the AO block. The engineering unit and the final value range are selected from the XD\_SCALE in the AO block. The units allowed are: for linear valve % and mm, for rotary valve %, °, rad.

After setting GAIN and RESET an automatic calibration should be done using SETUP to start the valve operation. The supported mode is OOS and AUTO. As the transducer block runs together with AO block, the transducer block goes to AUTO only if the AO mode block is different from OOS. The sensor module temperature may be read from the SECONDARY\_VALUE parameter.

Warning messages may appear in Return status or in the Block Error in certain condition as explain below.

### Supported Modes

OOS and AUTO.

### BLOCK\_ERR

The BLOCK\_ERR of the transducer block will reflect the following causes:

- Block Configuration – When the XD\_SCALE has an improper range or unit.
- Output Failure – When mechanic module is disconnected from main electronic board or no air supply (if FINAL\_VALUE is different from 0 or 100%).
- Out of Service – When the block is in OOS mode.

### Return Status

The RETURN status of the transducer block will reflect the following causes:

Bad::NonSpecific:NotLimited – When mechanic module is disconnected from main electronic board or no air supply (if FINAL\_VALUE is different from 0 or 100%).

### Parameters

| Idx | Parameter            | Data Type            | Valid Range | Initial/Default Value | Units | Store | Description  |
|-----|----------------------|----------------------|-------------|-----------------------|-------|-------|--|
| 1   | ST_REV               | Unsigned16           | Positive    | 0                     | None  | S     | Indicates the level of static data.  |
| 2   | TAG_DESC             | VisibleString        |             | Null                  | Na    | S     | Description of Transducer Block.   |
| 3   | STRATEGY             | Unsigned16           |             | 0                     | None  | S     | This parameter is not checked and processed by Transducer Block.             |
| 4   | ALERT_KEY            | Unsigned8            | 1-255       | 0                     | None  | S     | Number of identification in the plant.                                       |
| 5   | MODE_BLK             | DS-69                |             | OOS                   | Na    | S     | Indicates the operation mode of Transducer Block.                            |
| 6   | BLOCK_ERR            | Bit String           |             | Out of Service        | E     | D     | Indicates the status associated with hardware or software in the Transducer. |
| 7   | UPDATE_EVT           | DS-73                |             | *                     | Na    | D     | It is the alert for any static data.   |
| 8   | BLOCK_ALM            | DS-72                |             | *                     | Na    | D     | It is used for configuration, hardware and others fail.                      |
| 9   | TRANSDUCER_DIRECTORY | Array of Unsigned16  |             | 0                     | None  | N     | It is used to select several Transducer Blocks.                              |
| 10  | TRANSDUCER_TYPE      | Unsigned16           |             | Positioner Valve      | E     | N     | Indicates the type of Transducer according to its class.                     |
| 11  | XD_ERROR             | Unsigned8            |             | Default value set     | None  | D     | It is used to indicate calibration status.                                   |
| 12  | COLLECTION_DIRECTORY | Array of Unsigned 32 |             | 0                     | None  | S     | Specifies the number of transducer index into Transducer Block.              |
| 13  | FINAL_VALUE          | DS-65                |             | *                     | FVR   | D     | It is the value and status used by channel 1.                                |



| Idx | Parameter                  | Data Type     | Valid Range  | Initial/ Default Value | Units   | Store | Description  |
|-----|----------------------------|---------------|--------------|------------------------|---------|-------|--|
| 14  | FINAL_VALUE_RANGE          | DS-68         |              | 100/0%                 | FVR     | S     | The High and Low range limit values, the engineering unit code and the number of digits to the right of the decimal point to be used for Final Value.  |
| 15  | FINAL_VALUE_CUTOFF_HI      | Float         |              | 100.0                  | FVR     | S     | If the FINAL_VALUE is more positive than this value is forced to its maximum high value (fully opened).  |
| 16  | FINAL_VALUE_CUTOFF_LO      | Float         |              | 0.0                    | FVR     | S     | If the FINAL_VALUE is more negative than this value is forced to its maximum low value (fully closed).   |
| 17  | FINAL_POSITION_VALUE       | DS-65         |              | *                      | FVR     | D     | The actual valve position and status could be used at the READBACK_VALUE in an AO block.   |
| 18  | SERVO_GAIN                 | Float         |              | 20                     | None    | S     | The servo PID gain valve.  |
| 19  | SERVO_RESET                | Float         |              | 2                      | FVR/Sec | S     | The servo PID reset valve.   |
| 20  | SERVO_RATE                 | Float         |              | 0                      | FVR/Sec | S     | The servo PID rate valve.  |
| 21  | ACT_FAIL_ACTION            | Unsigned8     |              | Undefined              | None    | S     | Specifies the action the actuator takes in case of failure.  |
| 22  | ACT_MAN_ID                 | Unsigned32    |              | *                      | None    | N     | The actuator manufacturer identification number.   |
| 23  | ACT_MODEL_NUM              | VisibleString |              | NULL                   | None    | N     | The actuator model number.   |
| 24  | ACT_SN                     | VisibleString |              | *                      | None    | N     | The actuator serial number.  |
| 25  | VALVE_MAN_ID               | Unsigned32    |              | 0                      | None    | N     | The valve manufacturer identification number.  |
| 26  | VALVE_MODEL_NUM            | VisibleString |              | NULL                   | None    | N     | The valve model number.  |
| 27  | VALVE_SN                   | VisibleString |              | 0                      | None    | N     | The valve serial number.   |
| 28  | VALVE_TYPE                 | Unsigned8     | Lin/Rot      | Liner                  | None    | N     | The type of the valve.   |
| 29  | XD_CAL_LOC                 | VisibleString |              | NULL                   | None    | S     | The location of the last positioned calibration. This describes  |
| 30  | XD_CAL_DATE                | Time of Day   |              | Unspecified            | None    | S     | The date of last positioner calibration.   |
| 31  | XD_CAL_WHO                 | VisibleString |              | NULL                   | None    | S     | The name of the person responsible for the last positioner calibration.  |
| 32  | CAL_POINT_HI               | Float         | -10.0-110.0% | 100                    | %       | S     | The highest calibrated point.  |
| 33  | CAL_POINT_LO               | Float         | -10.0-100.0% | 0                      | %       | S     | The lowest calibrated point.   |
| 34  | CAL_MIN_SPAN               | Float         |              | 1                      | %       | S     | The minimum calibration span value allowed. This minimum span information is necessary to ensure that when calibration is done, the two calibrated points (high and low) are not too close together. |
| 35  | CAL_UNIT                   | Unsigned16    |              | %                      | E       | S     | Engineering units code for the calibration values.   |
| 35  | CAL_METHOD                 | Unsigned8     |              | Factory                | None    | S     | The method of last sensor calibration.   |
| 37  | SECONDARY_VALUE            | DS-65         |              | *                      | SUV     | D     | The secondary value related to the sensor.   |
| 38  | SECONDARY_VALUE_UNIT       | Unsigned16    |              | °C                     | E       | S     | The engineering units to be used with the secondary value  |
| 39  | BACKUP_RESTORE             | Unsigned8     |              | None                   |         | S     | This parameter is used to backup or to restore configuration data.   |
| 40  | POS_PER                    | DS-65         |              | *                      |         | D     | The percent position.  |
| 41  | SERVO_PID_BYPASS           | Unsigned8     | True/False   | Not bypass             |         | S     | Enable and disable the servo PID.  |
| 42  | SERVO_PID_DEAD_BAND        | Float         |              | 0                      | %       | S     | The dead band error for servo PID.   |
| 43  | SERVO_PID_ERROR_PERCENT    | DS-65         |              | *                      | %       | D     | The percent error value for the servo PID.   |
| 44  | SERVO_PID_INTEGRAL_PERCENT | DS-65         |              | *                      | %       | D     | The percent integral value for the servo PID.  |

| Idx | Parameter                        | Data Type         | Valid Range | Initial/ Default Value | Units        | Store | Description  |
|-----|----------------------------------|-------------------|-------------|------------------------|--------------|-------|--|
| 45  | SERVO_PID_MV_PER                 | DS-65             |             | *                      | %            | D     | The percent measured value for the servo PID.            |
| 46  | MODULE_SN                        | Unsigned32        |             | *                      |              | N     | The module manufacturer identification number.           |
| 47  | SENSOR_PRESS_POL0                | Float             | ± INF       | 31811.5                | None         | S     | The pressure sensor polynomial coefficient 0.            |
| 48  | SENSOR_PRESS_POL1                | Float             | ± INF       | 27251.5                | None         | S     | The pressure sensor polynomial coefficient 1.            |
| 49  | SENSOR_PRESS_POL2                | Float             | ± INF       | 0                      | None         | S     | The pressure sensor polynomial coefficient 2.            |
| 50  | SENSOR_PRESS_POL3                | Float             | ± INF       | 0                      | None         | S     | The pressure sensor polynomial coefficient 3.            |
| 51  | SENSOR_PRESS_POL4                | Float             | ± INF       | 0                      | None         | S     | The pressure sensor polynomial coefficient 4.            |
| 52  | SENSOR_PRESS_POL5                | Float             | ± INF       | 0                      | None         | S     | The pressure sensor polynomial coefficient 5.            |
| 53  | SENSOR_PRESS_POL6                | Float             | ± INF       | 0                      | None         | S     | The pressure sensor polynomial coefficient 6.            |
| 54  | SENSOR_PRESS_POL7                | Float             | ± INF       | 0                      | None         | S     | The pressure sensor polynomial coefficient 7.            |
| 55  | SENSOR_PRESS_POL8                | Float             | ± INF       | 0                      | None         | S     | The pressure sensor polynomial coefficient 8.            |
| 56  | SENSOR_PRESS_POL9                | Float             | ± INF       | 0                      | None         | S     | The pressure sensor polynomial coefficient 9.            |
| 57  | SENSOR_PRESS_POL10               | Float             | ± INF       | 0                      | None         | S     | The pressure sensor polynomial coefficient 10.           |
| 58  | POLYNOMIAL_SENS_VE<br>RSION      | Unsigned8         |             | 0                      | None         | S     | The pressure sensor polynomial version.                  |
| 59  | USER_HALL_CAL_POIN<br>T_HI       | Float             |             | *                      | %            | S     | The highest calibrated point.                            |
| 60  | USER_HALL_CAL_POIN<br>T_LO       | Float             |             | *                      | %            | S     | The lowest calibrated point.                             |
| 61  | READ_HALL_CAL_POIN<br>T_HI       | Float             | 0.0-65535.0 | *                      | None         | S     | The highest calibrated point for Hall sensor.            |
| 62  | READ_HALL_CAL_POIN<br>T_LO       | Float             | 0.0-65535.0 | *                      | None         | S     | The lowest calibrated point for Hall sensor.             |
| 63  | COEFF_SENS_TEMP_P<br>OL0         | Float             | ± INF       | *                      | None         | S     | The polynomial temperature coefficient 0.                |
| 64  | COEFF_SENS_TEMP_P<br>OL1         | Float             | ± INF       | *                      | None         | S     | The polynomial temperature coefficient 1.                |
| 65  | COEFF_SENS_TEMP_P<br>OL2         | Float             | ± INF       | *                      | None         | S     | The polynomial temperature coefficient 2.                |
| 66  | COEFF_SENS_TEMP_P<br>OL3         | Float             | ± INF       | *                      | None         | S     | The polynomial temperature coefficient 3.                |
| 67  | COEFF_SENS_TEMP_P<br>OL4         | Float             | ± INF       | *                      | None         | S     | The polynomial temperature coefficient 4.                |
| 68  | POLYNOMIAL_SENS_TE<br>MP_VERSION | Unsigned8         |             | *                      | None         | S     | The polynomial temperature version.                      |
| 69  | CAL_TEMPERATURE                  | Float             |             | *                      | °C(1001<br>) | S     | The temperature value used to calibrate the temperature. |
| 70  | CAL_DIGITAL_TEMPERA<br>TURE      | Float             |             | *                      | None         | S     | The cal digital temperature value.                       |
| 71  | CHARACTERIZATION_T<br>YPE        | Unsigned8         |             | Linear                 | None         | S     | Select the characterization type.                        |
| 72  | CHARACTERIZATION<br>_BYPASS      | Unsigned8         | True/False  | True                   | None         | S     | Enable and disable the curve type.                       |
| 73  | CURVE_LENGTH                     | Unsigned8         | 2 to 8      | 10                     | None         | S     | The curve length of table characterization.              |
| 74  | CURVE_X                          | Array of<br>Float |             | *                      | %            | S     | Input points of characterization curve.                  |
| 75  | CURVE_Y                          | Array of<br>Float |             | *                      | %            | S     | Output points of characterization curve.                 |
| 76  | CAL_POINT_HI_<br>BACKUP          | Float             |             | 100.0                  | %            | S     | Indicates the backup for highest calibration point.      |
| 77  | CAL_POINT_LO_<br>BACKUP          | Float             |             | 0.0                    | %            | S     | Indicates the backup lowest calibration point.           |
| 78  | CAL_POINT_HI_FACTOR<br>Y         | Float             |             | 100.0                  | %            | S     | Indicates the factory for highest calibration point.     |

| Idx | Parameter             | Data Type          | Valid Range   | Initial/ Default Value | Units       | Store    | Description  |
|-----|-----------------------|--------------------|---------------|------------------------|-------------|----------|--|
| 79  | CAL_POINT_LO_FACTOR   | Float              |               | 0.0                    | %           | S        | Indicates the factory for lowest calibration point.  |
| 80  | <b>SETUP</b>          | <b>Unsigned8</b>   | <b>En/Dis</b> | <b>Disable</b>         | <b>None</b> | <b>N</b> | <b>Enable self-calibration.</b>  |
| 81  | FEEDBACK_CAL          | Float              |               | 0                      | %           | S        | The position value used to correct a calibration.  |
| 82  | CAL_CONTROL           | Unsigned8          | En/Dis        | Disable                | None        | S        | Enable and disable a calibration method.   |
| 83  | <b>RETURN</b>         | <b>DS-65</b>       |               | *                      | <b>FVR</b>  | <b>D</b> | <b>The actual valve position and status, could be used at the READBACK_VALUE in an AO block.</b>   |
| 84  | POT_KP                | Unsigned8          |               | *                      | None        | S        | The servo gain value by hardware.  |
| 85  | POT_DC                | Unsigned8          |               | *                      | None        | S        | The DC constant value for the piezo sensor.  |
| 86  | MAGNET_SIZE           | Unsigned8          |               | *                      | None        | S        | Features of Magnet.  |
| 87  | ANALOG_LATCH          | Unsigned8          |               | *                      | None        | S        | Analog Switch used by hardware.  |
| 88  | MAIN_LATCH            | Unsigned8          |               | *                      | None        | S        | Air to Open/Close.   |
| 89  | DIGITAL_TEMPERATUR    | DS-65              |               | *                      | None        | D        | The digital temperature value.   |
| 90  | PIEZO_ANALOG_VOLTA    | DS-65              |               | *                      | VOLTS       | D        | The piezo analog voltage value.  |
| 91  | PIEZO_DIGITAL_VOLTA   | DS-65              |               | *                      | None        | D        | The piezo digital voltage value.   |
| 92  | DA_OUTPUT_VALUE       | DS-65              |               | *                      | None        | D        | Digital analog output value.   |
| 93  | USER_DA_CAL_POINT_HI  | Float              |               | *                      | None        | S        | Digital analog value for output in a highest calibration point.  |
| 94  | USER_DA_CAL_POINT_LO  | Float              |               | *                      | None        | S        | Digital analog value for output in a lowest calibration point.   |
| 95  | DIGITAL_HALL_VALUE    | Unsigned16         |               | *                      | None        | D        | Digital Hall value.  |
| 96  | <b>SETUP_PROGRESS</b> | <b>Unsigned8</b>   | <b>0/100</b>  | *                      | <b>None</b> | <b>D</b> | <b>Shows the setup progress status.</b>  |
| 97  | HALL_OFFSET           | float              |               | *                      | None        | D        | The value after done self offset Hall calibration for Hall sensor value.   |
| 98  | ORDERING_CODE         | Array of Unsigned8 |               | NULL                   | None        | S        | Indicates information about the sensor and control from factory production.  |
| 99  | TRAVEL_ENABLE         | Unsigned8          | True/False    | False                  | None        | S        | Enables the travel action  |
| 100 | TRAVEL_DEADBAND       | Float              | ± INF         | 2                      | None        | S        | It's the magnitude value of the valve movement, in percent of ranged travel (full stroke), necessary to increment the Travel   |
| 101 | TRAVEL_LIMIT          | Float              | ± INF         | 0                      | None        | S        | It is the value of the Travel.   |
| 102 | TRAVEL                | Float              | ± INF         | *                      | None        | D        | It is the number of equivalent ranged travel (full stroke). The Travel value is incremented when the magnitude of the changing exceeds the Travel Deadband.                  |
| 103 | REVERSAL_ENABLE       | Unsigned8          | True/False    | False                  | None        | S        | Enables the reversal action  |
| 104 | REVERSAL_DEADBAND     | Float              | ± INF         | 2                      | None        | S        | It is the magnitude value of the valve movement, in percent of ranged travel, necessary to increment the Reversal  |
| 105 | REVERSAL_LIMIT        | Float              | ± INF         | 0                      | None        | S        | It is the value of the Reversal, which, when exceeded, an Alert is generated. The alert is cleared by entering a new Reversal value lower than the Reversal Limit.           |
| 106 | REVERSAL              | Float              | ± INF         | *                      | None        | D        | It is the number of times the valve changes direction. The Reversal is incremented when there is a changing in the direction and the movement exceeds the Reversal Deadband. |

| Idx | Parameter              | Data Type  | Valid Range              | Initial/ Default Value | Units      | Store | Description   |
|-----|------------------------|------------|--------------------------|------------------------|------------|-------|---|
| 107 | DEVIATION_ENABLE       | Unsigned8  | True/False               | False                  | None       | S     | Enables the deviation action  |
| 108 | DEVIATION_DEADBAND     | Float      | ± INF                    | 2                      | None       | S     | It's the magnitude value of the valve deviation, in percent of ranged travel.                               |
| 109 | DEVIATION_TIME         | Float      | ± INF                    | 5                      | None       | S     | It's the time, in seconds, that the valve must exceed the Deviation Deadband before the alert is generated. |
| 110 | STROKES                | Float      | ± INF                    | *                      | None       | D     | It is number of the times that the valve reached its maximum and minimum position.                          |
| 111 | TIME_CLOSING           | Float      | ± INF                    | *                      | None       | S     | <b>The time in seconds it took to stroke the valve from fully open to fully close.</b>                      |
| 112 | TIME_OPENING           | Float      | ± INF                    | *                      | None       | S     | <b>The time in seconds it took to stroke the valve from fully closed to fully open.</b>                     |
| 113 | HIGHEST_TEMPERATURE    | Float      | ± INF                    | *                      | None       | S     | Indicates the highest environment temperature.  |
| 114 | LOWEST_TEMPERATURE     | Float      | ± INF                    | *                      | None       | S     | Indicates the lowest environment temperature.   |
| 115 | DIAGNOSES_STATUS       | Unsigned8  |                          | *                      | None       | D     | Show the device status (fails and warnings)   |
| 116 | SENSOR_PRESS_UNIT      | Unsigned16 |                          | psi                    | E          | S     | Pressure unit   |
| 117 | SENSOR_CAL_SELECTOR    | Unsigned8  | In,out1, out2            | In                     | None       | S     | Selects between the three sensor pressure   |
| 118 | SENSOR_CAL_POINT_HI    | Float      | 0 - 100 psi              | 100                    | PRESS_UNIT | S     | The highest calibrated point for the sensor pressure.   |
| 119 | SENSOR_CAL_POINT_LO    | Float      | 0 - 100 psi              | 0                      | PRESS_UNIT | S     | The lowest calibrated point for the sensor pressure.  |
| 120 | SENSOR_PRESS_IN        | DS-65      | 0 - 100 psi              | 0                      | PRESS_UNIT | D     | The reading of input sensor pressure.   |
| 121 | SENSOR_PRESS_OUT1      | DS-65      | 0 - 100 psi              | 0                      | PRESS_UNIT | D     | The reading of out1 sensor pressure.  |
| 122 | SENSOR_PRESS_OUT2      | DS-65      | 0 - 100 psi              | 0                      | PRESS_UNIT | D     | The reading of out2 sensor pressure.  |
| 123 | SENSOR_PRESS_LO_LIMIT  | Float      | 0 - 100 psi              | 0                      | PRESS_UNIT | S     | The maximum limit value for the input pressure.   |
| 124 | SENSOR_PRESS_HI_LIMIT  | Float      | 0 - 100 psi              | 100                    | PRESS_UNIT | S     | The minimum limit value for the input pressure.   |
| 125 | SENSOR_PRESS_INSTALLED | Unsigned8  | Not Installed/ Installed | *                      | *          | N     | Says if there are sensor pressure installed   |
| 126 | SENSOR_PRESS_STATUS    | Unsigned8  |                          | *                      | None       | D     | Show the sensor pressure status   |

**Legend: E – Enumerated parameter; Na – Admensional parameter; RO – Read only; D – dynamic; N – non-volatile; S – Static  
CU: CAL\_UNIT; FVR: FINAL\_VALUE\_RANGE; SR: SENSOR\_RANGE; SVU: SECONDARY\_VALUE\_RANGE**

**Gray Background Line: Default Parameters of Syscon**

## FP302 - Fieldbus Pressure Transducer

### Description

The fieldbus pressure transducer block is a basic positioner transducer, which means that it is actually only a direct output, without positioning algorithm. The transducer block receives the demanded pneumatic signal output FINAL\_VALUE from the AO block and makes the corrected actual position sensor reading RETURN available to the AO block. The engineering unit and the final value range are selected from the XD\_SCALE in the AO block. The units allowed are: Pa, KPa, MPa, bar, mbar, torr, atm, psi, g/cm<sup>2</sup>, kg/cm<sup>2</sup>, inH2O a 4°C, inH2O a 68°F, mmH2O a 68°F, mmH2O a 4°C, ftH2O a 68°F, inHg a 0°C, mmHg a 0°C. The XD\_SCALE range must be inside the range in the unit selected (3-30 psi). The supported mode is OOS and AUTO. As the transducer block runs together with AO block, the transducer block goes to AUTO only if the AO mode block is different from OOS. The sensor module temperature may be read from the SECONDARY\_VALUE parameter.

Warning messages may appear in Return status or in the Block Error in certain condition as explain below.

### Supported Modes

OOS and AUTO.

### BLOCK\_ERR

The BLOCK\_ERR of the transducer block will reflect the following causes:

- Block Configuration – When the XD\_SCALE has an improper range or unit.
- Output Failure – When mechanic module is disconnected from main electronic board or no air supply.
- Out of Service – When the block is in OOS mode.

### Return Status

The RETURN status of the transducer block will reflect the following causes:

Bad::NonSpecific:NotLimited – When mechanic module is disconnected from main electronic board or no air supply.

### Parameters

| Idx | Parameter             | Data Type            | Valid Range | Initial/Default Value | Units | Store | Description  |
|-----|-----------------------|----------------------|-------------|-----------------------|-------|-------|--|
| 1   | ST_REV                | Unsigned16           | Positive    | 0                     | None  | S     | Indicates the level of static data.  |
| 2   | TAG_DESC              | VisibleString        |             | Null                  | Na    | S     | Description of Transducer Block.   |
| 3   | STRATEGY              | Unsigned16           |             | 0                     | None  | S     | This parameter is not checked and processed by Transducer Block.             |
| 4   | ALERT_KEY             | Unsigned8            | 1-255       | 0                     | Na    | S     | Number of identification in the plant.                                       |
| 5   | MODE_BLK              | DS-69                |             | O/S,AUTO              | None  | S     | Indicates the operation mode of Transducer Block.                            |
| 6   | BLOCK_ERR             | Bit String           |             |                       | E     | D     | Indicates the status associated with hardware or software in the Transducer. |
| 7   | UPDATE_EVT            | DS-73                |             |                       | Na    | D     | It is the alert for any static data.   |
| 8   | BLOCK_ALM             | DS-72                |             |                       | Na    | D     | It is used for configuration, hardware and others failures.                  |
| 9   | TRANSDUCER_DIRECTOR Y | Array of Unsigned16  |             |                       | None  | N     | It is used to select several Transducer Blocks.                              |
| 10  | TRANSDUCER_TYPE       | Unsigned16           |             | 65535                 | None  | N     | Indicates the type of Transducer according to its class.                     |
| 11  | XD_ERROR              | Unsigned8            |             | 16                    | None  | D     | It is used to indicate calibration status.                                   |
| 12  | COLLECTION_DIRECTOR Y | Array of Unsigned 32 |             |                       | None  | S     | Specifies the number of transducer index into Transducer Block.              |
| 13  | FINAL_VALUE           | DS-65                |             |                       | FRV   | D     | It is the pressure value and status that comes from AO block.                |

| Idx | Parameter            | Data Type     | Valid Range   | Initial/ Default Value | Units | Store | Description  |
|-----|----------------------|---------------|---------------|------------------------|-------|-------|--|
| 14  | FINAL_VALUE_RANGE    | DS-68         |               |                        | FRV   | S     | The High and Low range limit values, the engineering unit code and the number of digits to the right of the decimal point to be used for Final Value.  |
| 15  | CAL_POINT_HI         | Float         | 12.0-16.0 psi | 15.0                   | CU    | S     | The highest calibrated point.  |
| 16  | CAL_POINT_LO         | Float         | 2.5-5.0 psi   | 3.0                    | CU    | S     | The lowest calibrated point.   |
| 17  | CAL_MIN_SPAN         | Float         |               | 7.0                    | CU    | S     | The minimum calibration span value allowed. This minimum span information is necessary to ensure that when calibration is done, the two calibrated points (high and low) are not too close together. |
| 18  | CAL_UNIT             | Unsigned16    |               | 1141(psi)              | E     | S     | Engineering units code for the calibration values.   |
| 19  | CONV_SN              | Unsigned32    |               | 0                      | None  | S     | The converter serial number.   |
| 20  | CAL_METHOD           | Unsigned8     |               | Factory                | None  | S     | The method of last sensor calibration.   |
| 21  | ACT_FAIL_ACTION      | Unsigned8     |               | 0                      | None  | S     | Specifies the action the actuator takes in case of failure.  |
| 22  | ACT_MAN_ID           | Unsigned32    |               | 0                      | None  | N     | The actuator manufacturer identification number.   |
| 23  | ACT_MODEL_NUM        | VisibleString |               | NULL                   | None  | N     | The actuator model number.   |
| 24  | ACT_SN               | VisibleString |               | 0                      | None  | N     | The actuator serial number.  |
| 25  | VALVE_MAN_ID         | Unsigned32    |               | 0                      | E     | N     | The valve manufacturer identification number.  |
| 26  | VALVE_MODEL_NUM      | VisibleString |               | NULL                   | None  | N     | The valve model number.  |
| 27  | VALVE_SN             | VisibleString |               | 0                      | None  | N     | The valve serial number.   |
| 28  | VALVE_TYPE           | Unsigned8     |               |                        | E     | N     | The type of the valve.   |
| 29  | XD_CAL_LOC           | VisibleString |               | NULL                   | None  | S     | The location of the last device calibration.   |
| 30  | XD_CAL_DATE          | Time of Day   |               |                        | None  | S     | The date of last device calibration.   |
| 31  | XD_CAL_WHO           | VisibleString |               | NULL                   | None  | S     | The name of the person responsible for the last calibration.   |
| 32  | SECONDARY_VALUE      | DS-65         |               | 0                      | SUV   | D     | The secondary value related to the sensor.   |
| 33  | SECONDARY_VALUE_UNIT | Unsigned16    |               | °C(1001)               | E     | S     | The engineering units to be used with the secondary value related to the sensor.   |
| 34  | SENSOR_RANGE         | DS-68         |               | 3.0-15.0 psi           | FRV   | S     | The high and low range limits values, the engineering unit and the number of digits to the right of the decimal for the sensor.  |
| 35  | BACKUP_RESTORE       | Unsigned8     |               | 0                      | None  | S     | This parameter is used to do backup or to restore configuration data.  |
| 35  | COEFF_PRESS_POL0     | Float         | ± INF         | -7.78630E-3            | None  | S     | The coefficient of pressure 0.   |
| 37  | COEFF_PRESS_POL1     | Float         | ± INF         | 0.118645               | None  | S     | The coefficient of pressure 1.   |
| 38  | COEFF_PRESS_POL2     | Float         | ± INF         | -1.2996E-4             | None  | S     | The coefficient of pressure 2.   |
| 39  | COEFF_PRESS_POL3     | Float         | ± INF         | 1.2045E-6              | None  | S     | The coefficient of pressure 3.   |
| 40  | COEFF_PRESS_POL4     | Float         | ± INF         | -2.05803E-9            | None  | S     | The coefficient of pressure 4.   |
| 41  | COEFF_PRESS_POL5     | Float         | ± INF         | 1.04282E-6             | None  | S     | The coefficient of pressure 5.   |
| 42  | COEFF_PRESS_POL6     | Float         | ± INF         | -1.50E-5               | None  | S     | The coefficient of pressure 6.   |
| 43  | COEFF_PRESS_POL7     | Float         | ± INF         | 0.0                    | None  | S     | The coefficient of pressure 7.   |
| 44  | COEFF_PRESS_POL8     | Float         | ± INF         | 0.0                    | None  | S     | The coefficient of pressure 8.   |
| 45  | COEFF_PRESS_POL9     | Float         | ± INF         | 0.0                    | None  | S     | The coefficient of pressure 9.   |
| 46  | COEFF_PRESS_POL10    | Float         | ± INF         | 0.0                    | None  | S     | The coefficient of pressure 10.  |

| Idx | Parameter                     | Data Type      | Valid Range | Initial/ Default Value | Units | Store | Description   |
|-----|-------------------------------|----------------|-------------|------------------------|-------|-------|---|
| 47  | POLYNOMIAL_PRESS_VERSION      | Unsigned8      |             | 11H                    | None  | S     | The pressure polynomial version.  |
| 48  | COEFF_SENS_PRESS_PO L0        | Float          | ± INF       | -8.83725E-3            | None  | S     | The coefficient of pressure sensor 0.   |
| 49  | COEFF_SENS_PRESS_PO L1        | Float          | ± INF       | 8.2531E-2              | None  | S     | The coefficient of pressure sensor 1.   |
| 50  | COEFF_SENS_PRESS_PO L2        | Float          | ± INF       | 1.06854E-4             | None  | S     | The coefficient of pressure sensor 2.   |
| 51  | COEFF_SENS_PRESS_PO L3        | Float          | ± INF       | -9.99245E-7            | None  | S     | The coefficient of pressure sensor 3.   |
| 52  | COEFF_SENS_PRESS_PO L4        | Float          | ± INF       | 1.8581E-9              | None  | S     | The coefficient of pressure sensor 4.   |
| 53  | COEFF_SENS_PRESS_PO L5        | Float          | ± INF       | -6.73231E-6            | None  | S     | The coefficient of pressure sensor 5.   |
| 54  | COEFF_SENS_PRESS_PO L6        | Float          | ± INF       | 0.0                    | None  | S     | The coefficient of pressure sensor 6.   |
| 55  | COEFF_SENS_PRESS_PO L7        | Float          | ± INF       | 0.0                    | None  | S     | The coefficient of pressure sensor 7.   |
| 56  | POLYNOMIAL_SENS_PRESS_VERSION | Unsigned8      |             | 10H                    | None  | S     | The polynomial version for the pressure sensor.   |
| 57  | CAL_POINT_HI_SENSOR_PRES      | Float          |             | 15.0                   | psi   | S     | The highest calibration point for the pressure sensor.  |
| 58  | CAL_POINT_LO_SENSOR_PRES      | Float          |             | 3.0                    | psi   | S     | The lowest calibration point for the pressure sensor.   |
| 59  | COEFF_SENS_TEMP_POL 0         | Float          | ± INF       | -7.05E1                | None  | S     | The coefficient of temperature sensor 0.  |
| 60  | COEFF_SENS_TEMP_POL 1         | Float          | ± INF       | 7.734E-1               | None  | S     | The coefficient of temperature sensor 1.  |
| 61  | COEFF_SENS_TEMP_POL 2         | Float          | ± INF       | -1.072E-4              | None  | S     | The coefficient of temperature sensor 2.  |
| 62  | COEFF_SENS_TEMP_POL 3         | Float          | ± INF       | 0.0                    | None  | S     | The coefficient of temperature sensor 3.  |
| 63  | COEFF_SENS_TEMP_POL 4         | Float          | ± INF       | 0.0                    | None  | S     | The coefficient of temperature sensor 4.  |
| 64  | POLYNOMIAL_SENS_TEMP_VERSION  | Unsigned8      |             | 10H                    | None  | S     | The polynomial version for the temperature sensor.  |
| 65  | RETURN                        | DS-65          |             | 0                      | FRV   | D     | The actual pressure value and status that goes too Readback_Value in an AO Block.                                 |
| 66  | CHARACTERIZATION_TYPE         | Unsigned8      |             | 255                    | None  | S     | Indicates the type of characterization curve.   |
| 67  | CURVE_BYPASS                  | Unsigned8      | True/False  | True                   | None  | S     | Enable and disable the characterization curve.  |
| 68  | CURVE_LENGTH                  | Unsigned8      | 2 to 8      | 8                      | None  | S     | Indicates the length of characterization curve.   |
| 69  | CURVE_X                       | Array of Float |             | %                      | %     | S     | Input points of characterization curve.   |
| 70  | CURVE_Y                       | Array of Float |             | %                      | %     | S     | Output points of characterization curve.  |
| 71  | FEEDBACK_CAL                  | Float          |             |                        | FRV   | S     | The measured pressure value used by the calibration method.   |
| 72  | CAL_CONTROL                   | Unsigned8      | En/Dis      | Disable                | None  | D     | After enter in a calibration method CAL_CONTROL is used to return to the normal operation before the calibration. |
| 73  | CAL_POINT_HI_BACKUP           | Float          |             | 15                     | CU    | S     | Indicates the backup for highest calibration point.   |
| 74  | CAL_POINT_LO_BACKUP           | Float          |             | 3                      | CU    | S     | Indicates the backup for lowest calibration point.  |

| Idx | Parameter                       | Data Type     | Valid Range | Initial/ Default Value | Units | Store | Description   |
|-----|---------------------------------|---------------|-------------|------------------------|-------|-------|---|
| 75  | CAL_POINT_HI_FACTORY            | Float         |             | 15                     | CU    | S     | Indicates the factory for highest calibration point.                          |
| 76  | CAL_POINT_LO_FACTOR<br>Y        | Float         |             | 3                      | CU    | S     | Indicates the factory for lowest calibration point.                           |
| 77  | PWM_CAL_POINT_HI                | Float         |             | 12450                  | None  | S     | The pwm value for the highest calibration point.                              |
| 78  | PWM_CAL_POINT_LO                | Float         |             | 2490                   | None  | S     | The pwm value for the lowest calibration point.                               |
| 79  | OUT_POLYN_CAL_POINT<br>_HI_PRES | Float         |             | 1.90                   | None  | S     | The polynomial output value for the highest calibration point.                |
| 80  | OUT_POLYN<br>_CAL_POINT_LO_PRES | Float         |             | 0.38                   | None  | S     | The polynomial output value for the lowest calibration point.                 |
| 81  | OUT_POLYNOMIAL_PRES<br>S        | DS-65         |             | 0                      | psi   | D     | The polynomial output value when in normal operation.                         |
| 82  | SENSOR_PRESSURE                 | DS-65         |             | 0                      | psi   | D     | The value and status for the pressure sensor.                                 |
| 83  | DIGITAL_PRESSURE                | DS-65         |             | 0                      | None  | D     | The digital value and status for the pressure sensor.                         |
| 84  | OUT_POLYNOMIAL_SENS<br>_PRESS   | DS-65         |             | 0                      | psi   | D     | The polynomial output value for the pressure sensor when in normal operation. |
| 85  | DIGITAL_VOLTAGE                 | DS-65         |             | 0                      | None  | D     | The digital value and status for the piezo.                                   |
| 86  | VOLTAGE                         | DS-65         |             | 0                      | VOLTS | D     | The value and status for the piezo.   |
| 87  | PWM_VALUE                       | Unsigned16    |             | 0                      | None  | D     | The value pwm to actual pressure in the process.                              |
| 88  | SENSOR_TEMPERATURE              | DS-65         |             | 0                      | °C    | D     | The value and status for temperature sensor.                                  |
| 89  | DIGITAL_TEMPERATURE             | DS-65         |             | 0                      | None  | D     | The digital value and status for temperature sensor.                          |
| 90  | CAL_TEMPERATURE                 | Unsigned8     | -40/85 °C   | 25 °C                  | °C    | S     | The calibration point for the temperature sensor.                             |
| 91  | CAL_DIGITAL_TEMPERAT<br>URE     | Float         |             | 125.606                | None  | S     | The digital calibration point for the temperature sensor.                     |
| 92  | ORDERING_CODE                   | VisibleString |             | NULL                   | None  | S     | Indicates information about the sensor and control from factory production.   |

**Legend:** E – Enumerated parameter; Na – Adimensional parameter; RO – Read only; D – dynamic; N – non-volatile; S – Static  
 CU: CAL\_UNIT; FVR: FINAL\_VALUE\_RANGE; SR: SENSOR\_RANGE; SVU: SECONDARY\_VALUE\_RANGE

**Gray Background Line: Default Parameters of Syscon**



## FI302 – Fieldbus Current Transducer

### Description

The fieldbus current transducer block is a basic converter transducer, which means that it is actually only a direct output, without positioning algorithm. The transducer block receives the demanded current signal output FINAL\_VALUE from the AO block and it makes the actual position/status reading RETURN available to AO block. The engineering unit and the final value range are selected from the XD\_SCALE in the AO block. The only unit allowed in this case is mA. The XD\_SCALE range must be inside the current range (4-20). The selection of the output terminal for this transducer is done in TERMINAL\_NUMBER (1-3). The AO block connected to this transducer has the CHANNEL the same selection as TERMINAL\_NUMBER. The supported mode is OOS and AUTO. As the transducer block runs together with AO block, the transducer block goes to AUTO only if the AO mode block is different from OOS.

Warning messages may appear in Return status or in the Block Error in certain condition as explain below.

### Supported Modes

OOS and AUTO.

### BLOCK\_ERR

The BLOCK\_ERR of the transducer block will reflect the following causes:

- Block Configuration – When the XD\_SCALE has an improper range or unit.
- Output Failure – When the current loop is broken.
- Out of Service – When the block is in OOS mode.

### Return Status

The RETURN status of the transducer block will reflect the following causes:

Bad::NonSpecific:NotLimited – When the current loop is broken.

### Parameters

| Idx | Parameter            | Data Type            | Valid Range | Initial/ Default Value | Units | Store | Description  |
|-----|----------------------|----------------------|-------------|------------------------|-------|-------|--|
| 1   | ST_REV               | Unsigned16           | Positive    | 0                      | None  | S     | Indicates the level of static data.  |
| 2   | TAG_DESC             | VisibleString        |             | Null                   | Na    | S     | Description of Transducer Block.   |
| 3   | STRATEGY             | Unsigned16           |             | 0                      | None  | S     | This parameter is not checked and processed by Transducer Block.   |
| 4   | ALERT_KEY            | Unsigned8            | 1-255       | 0                      | Na    | S     | Number of identification in the plant.   |
| 5   | MODE_BLK             | DS-69                |             | O/S,AUTO               | None  | S     | Indicates the operation mode of Transducer Block.  |
| 6   | BLOCK_ERR            | Bit String           |             |                        | E     | D     | Indicates the status associated with hardware or software in the Transducer.   |
| 7   | UPDATE_EVT           | DS-73                |             |                        | Na    | D     | It is the alert for any static data.   |
| 8   | BLOCK_ALM            | DS-72                |             |                        | Na    | D     | It is used for configuration, hardware and other failures.   |
| 9   | TRANSDUCER_DIRECTORY | Array of Unsigned16  |             | 0                      | None  | N     | It is used to select several Transducer Blocks.  |
| 10  | TRANSDUCER_TYPE      | Unsigned16           |             | 65535                  | None  | N     | Indicates the type of Transducer according to its class.   |
| 11  | XD_ERROR             | Unsigned8            |             | 16                     | None  | D     | It is used to indicate calibration status.   |
| 12  | COLLECTION_DIRECTORY | Array of Unsigned 32 |             |                        | None  | S     | Specifies the number of transducer index into Transducer Block.  |
| 13  | FINAL_VALUE          | DS-65                |             | 0                      | FVR   | D     | It is the current value and status that comes from AO block.   |
| 14  | FINAL_VALUE_RANGE    | DS-68                |             | 4.0-20.0mA             | FVR   | S     | The High and Low range limit values, the engineering units code and the number of digits to the right of the decimal point to be used for Final Value. |

| Idx | Parameter              | Data Type        | Valid Range          | Initial/ Default Value | Units       | Store    | Description  |
|-----|------------------------|------------------|----------------------|------------------------|-------------|----------|--|
| 15  | CAL_POINT_HI           | Float            | 12.5-20.5mA          | 20.0                   | mA          | S        | The highest calibrated value.  |
| 16  | CAL_POINT_LO           | Float            | 3.99-11.5mA          | 4.0                    | mA          | S        | The lowest calibrated value.   |
| 17  | CAL_MIN_SPAN           | Float            |                      | 1.0                    | mA          | S        | The minimum calibration span value allowed. This minimum span information is necessary to ensure that when calibration is done, the two calibrated points (high and low) are not too close together. |
| 18  | CAL_UNIT               | Unsigned16       |                      | mA                     | mA          | S        | The Device Description engineering units code index for the calibration values.  |
| 19  | ACT_SN                 | Unsigned32       | 0 to 2 <sup>32</sup> | 0                      | None        | S        | Indicates the actuator serial number.  |
| 20  | CAL_METHOD             | Unsigned8        |                      | Factory                | None        | S        | The method of last sensor calibration. ISO defines several standard methods of calibration. This parameter is intended to record that method, or if some other method was used.                      |
| 21  | CAL_LOC                | Visible String   |                      | NULL                   | None        | S        | The location of last sensor calibration. This describes the physical location at which the   |
| 22  | CAL_DATE               | Time of Day      |                      |                        | None        | S        | The date of the last sensor calibration.   |
| 23  | SENSOR_CAL_WHO         | VisibleString    |                      | NULL                   | None        | S        | The name of person who is in charge of last calibration.   |
| 24  | <b>RETURN</b>          | <b>DS-65</b>     |                      | <b>0</b>               | <b>mA</b>   | <b>D</b> | <b>This is the current value that goes to the AO Block.</b>  |
| 25  | <b>TERMINAL_NUMBER</b> | <b>Unsigned8</b> | <b>1,2,3</b>         | <b>0</b>               | <b>None</b> | <b>S</b> | <b>Indicates the input terminal number (1, 2 and 3).</b>   |
| 26  | BACKUP_RESTORE         | Unsigned8        |                      | 0                      | None        | S        | This parameter is used to do backup or to restore configuration data.  |
| 27  | CHARACTERIZATION_TYPE  | Unsigned8        |                      | 255                    | None        | S        | Indicates the type of characterization curve.  |
| 28  | CURVE_BYPASS           | Unsigned8        | True/False           | False                  | None        | S        | Enable and disable the characterization curve.   |
| 29  | CURVE_LENGTH           | Unsigned8        | 2 to 8               | 8                      | None        | S        | Indicates the length of characterization curve.  |
| 30  | CURVE_X                | Array of Float   |                      | %                      | %           | S        | Input points of characterization curve.  |
| 31  | CURVE_Y                | Array of Float   |                      | %                      | %           | S        | Output points of characterization curve.   |
| 32  | FEEDBACK_CAL           | Float            |                      | 0                      | mA          | D        | The measured current value used by the calibration method.   |
| 33  | CAL_CONTROL            | Unsigned8        | En/Dis               | Disable                | None        | D        | Enable and disable for calibration process.  |
| 34  | CAL_POINT_HI_BACKUP    | Float            |                      | 20.0                   | mA          | S        | Indicates the backup for high calibration point.   |
| 35  | CAL_POINT_LO_BACKUP    | Float            |                      | 4.0                    | mA          | S        | Indicates the last high calibration point.   |
| 36  | CAL_POINT_HI_FACTORY   | Float            |                      | 20.0                   | mA          | S        | Indicates the last low calibration point.  |
| 37  | CAL_POINT_LO_FACTORY   | Float            |                      | 4.0                    | mA          | S        | Indicates the low factory calibration point.   |
| 38  | ORDERING_CODE          | VisibleString    |                      |                        | None        | S        | Indicates information about factory production.  |

Legend: E – Enumerated parameter; Na – Adimensional parameter; RO – Read only; D – dynamic; N – non-volatile; S – Static  
 CU: CAL\_UNIT; FVR: FINAL\_VALUE\_RANGE; SR: SENSOR\_RANGE; SVU: SECONDARY\_VALUE\_RANGE

Gray Background Line: Default Parameters of Syscon

## Flexible Function Block

### Description

The FFB block can receive up to 8 discrete input variables from the FF network through the parameters IN\_D1 to IN\_D8 parameters and also make available to the FF network 8 discrete output variables through the parameters OUT\_D1 to OUT\_D8 parameters. It can receive up to 16 discrete input variables from its hardware inputs (HW\_IN) and also make available 8 discrete outputs through its hardware(HW\_OUT).

Status indication for the inputs depends on the I/O subsystem. Status indication for the outputs depends on the block calculation

The FFB block provides logic such as AND, OR, XOR and NOT and functions such as Timer On-Delay, Timer Off-Delay, Timer Pulse, Pulse Counter Down (CTD), Pulse Counter Up(CTU), RS Flip-Flop and SR Flip-Flop. The logic is done using the eight discrete variables available for the FF network (OUT\_Dx), the eight input parameters from the FF network (IN\_Dx), the sixteen input discrete variables from DC302 hardware(HIN), the eight output discrete variables from DC302 hardware(HOUT), failsafe(FSx) values and auxiliary bit variables(AUX's).

### BLOCK\_ERR

The BLOCK\_ERR of the FFB block will reflect the following causes:

- Block Configuration Error – the configuration error occurs when there is error in the logic line indicates by ERROLINE parameter and ERROCODE parameter.
- Input failure – When occurs failure in the input power supply.
- Output failure – When occurs failure in the output power supply.
- Out of Service – When the block is in O/S mode.

### Status Handling

The status of OUT\_Dx will be the following if the BLOCK\_ERR indicates:

- Other – Bad : Configuration Error
- Input failure – Bad : Device Failure
- Power up – Bad : Device Failure

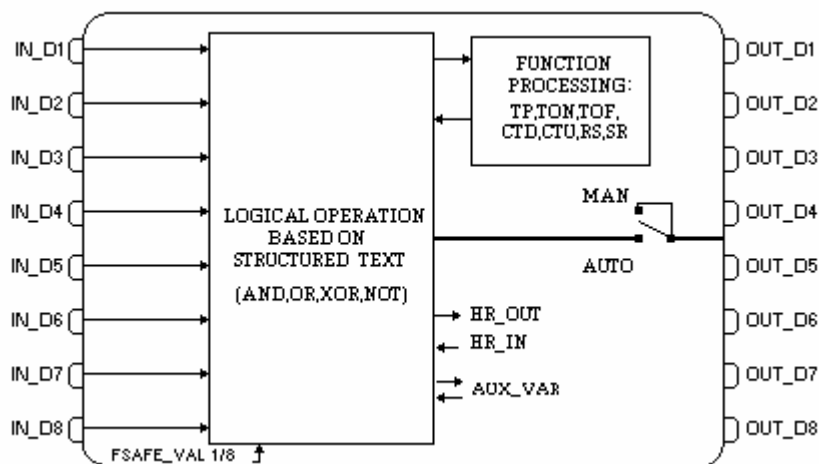
In the logic, a status higher and equal to 0x80 is considered true and a status lower than 0x80 is considered false.

### Supported Modes

O/S, MAN and AUTO.

Changes on the Logic Lines and its configuration parameters depend on the CHANGE\_OPTION selection.

### Schematic



### Parameters

| Idx | Parameter     | Data Type/<br>(Length) | Valid Range/<br>Options | Default<br>Value | Units | Store/<br>Mode | Description  |
|-----|---------------|------------------------|-------------------------|------------------|-------|----------------|--|
| 1   | ST_REV        | Unsigned16             |                         | 0                | None  | S/RO           | The revision level of static data associated with the function block.  |
| 2   | TAG_DESC      | OctString(32)          |                         | Spaces           | Na    | S              | The user description of intended application of the block.   |
| 3   | STRATEGY      | Unsigned16             |                         | 0                | None  | S              | The strategy field can be used to identify grouping of blocks. This data is not checked or processed by the block.   |
| 4   | ALERT_KEY     | Unsigned8              | 1 to 255                | 0                | None  | S              | The identification number of the plant unit. This information may be used in the host for sorting alarms, etc.   |
| 5   | MODE_BLK      | DS-69                  |                         | O/S              | Na    | S              | <b>The actual, target, permitted and normal modes of the block.</b>  |
| 6   | BLOCK_ERR     | Bitstring(2)           |                         |                  | E     | D / RO         | <b>This parameter reflects the error status associated with the hardware and software components associated with the block. It is a bit string, so multiple errors may be shown.</b> |
| 7   | PI_POINTER    | Unsigned32             |                         | 0                | None  | S              | Index of the PI associated to the function block or resource. An index of 0 indicates that there is no PI associated to the function block or resource.                              |
| 8   | CONTENTS_REV  | Unsigned32             |                         | 0                | None  | S              | This attribute indicates the revision level of the FFB algorithm. The low order 16 bits contain the minor revision level and the upper 16 bits contain the major revision level.     |
| 9   | IN_D1         | DS-66                  |                         |                  |       | D              | <b>Discrete Input 1 for the calculation block.</b>   |
| 10  | IN_D2         | DS-66                  |                         |                  |       | D              | <b>Discrete Input 2 for the calculation block.</b>   |
| 11  | IN_D3         | DS-66                  |                         |                  |       | D              | <b>Discrete Input 3 for the calculation block.</b>   |
| 12  | IN_D4         | DS-66                  |                         |                  |       | D              | <b>Discrete Input 4 for the calculation block.</b>   |
| 13  | IN_D5         | DS-66                  |                         |                  |       | D              | <b>Discrete Input 5 for the calculation block.</b>   |
| 14  | IN_D6         | DS-66                  |                         |                  |       | D              | <b>Discrete Input 6 for the calculation block.</b>   |
| 15  | IN_D7         | DS-66                  |                         |                  |       | D              | <b>Discrete Input 7 for the calculation block.</b>   |
| 16  | IN_D8         | DS-66                  |                         |                  |       | D              | <b>Discrete Input 8 for the calculation block.</b>   |
| 17  | FSTATE_VAL_D1 | Unsigned8              |                         | 0                |       | S              | The preset discrete value to use in failure for hardware output 1.   |
| 18  | FSTATE_VAL_D2 | Unsigned8              |                         | 0                |       | S              | The preset discrete value to use in failure for hardware output 2.   |
| 19  | FSTATE_VAL_D3 | Unsigned8              |                         | 0                |       | S              | The preset discrete value to use in failure for hardware output 3.   |
| 20  | FSTATE_VAL_D4 | Unsigned8              |                         | 0                |       | S              | The preset discrete value to use in failure for hardware output 4.   |
| 21  | FSTATE_VAL_D5 | Unsigned8              |                         | 0                |       | S              | The preset discrete value to use in failure for hardware output 5.   |
| 22  | FSTATE_VAL_D6 | Unsigned8              |                         | 0                |       | S              | The preset discrete value to use in failure for hardware output 6.   |
| 23  | FSTATE_VAL_D7 | Unsigned8              |                         | 0                |       | S              | The preset discrete value to use in failure for hardware output 7.   |
| 24  | FSTATE_VAL_D8 | Unsigned8              |                         | 0                |       | S              | The preset discrete value to use in failure for hardware output 8.   |
| 25  | OUT_D1        | DS-66                  |                         |                  |       | D / Man        | <b>The calculated discrete output variable 1 of the block in AUTO mode or specified by the user when in MAN mode.</b>  |
| 26  | OUT_D2        | DS-66                  |                         |                  |       | D / Man        | <b>The calculated discrete output variable 2 of the block in AUTO mode or specified by the user when in MAN mode.</b>  |

| Idx | Parameter | Data Type/<br>(Length) | Valid Range/<br>Options | Default<br>Value | Units | Store/<br>Mode | Description  |
|-----|-----------|------------------------|-------------------------|------------------|-------|----------------|--|
| 27  | OUT_D3    | DS-66                  |                         |                  |       | D / Man        | The calculated discrete output variable 3 of the block in AUTO mode or specified by the user when in MAN mode.   |
| 28  | OUT_D4    | DS-66                  |                         |                  |       | D / Man        | The calculated discrete output variable 4 of the block in AUTO mode or specified by the user when in MAN mode.   |
| 29  | OUT_D5    | DS-66                  |                         |                  |       | D / Man        | The calculated discrete output variable 5 of the block in AUTO mode or specified by the user when in MAN mode.   |
| 30  | OUT_D6    | DS-66                  |                         |                  |       | D / Man        | The calculated discrete output variable 6 of the block in AUTO mode or specified by the user when in MAN mode.   |
| 31  | OUT_D7    | DS-66                  |                         |                  |       | D / Man        | The calculated discrete output variable 7 of the block in AUTO mode or specified by the user when in MAN mode.   |
| 32  | OUT_D8    | DS-66                  |                         |                  |       | D / Man        | The calculated discrete output variable 8 of the block in AUTO mode or specified by the user when in MAN mode.   |
| 33  | HW_IN     | DS-160                 |                         |                  |       | D / Man        | <b>Data Structure: 16 unsigned8 values and 1 unsigned8 status for Hardware Discrete Inputs.</b>  |
| 34  | HW_OUT    | DS-159                 |                         |                  |       | D / Man        | <b>Data Structure: 8 unsigned8 values and 1 unsigned8 status for Hardware Discrete Outputs.</b>  |
| 35  | AUX_01_16 | Bitstring(2)           |                         |                  |       | D/ OS          | Auxiliary bit enumerated variable 01_16.   |
| 36  | AUX_17_32 | Bitstring(2)           |                         |                  |       | D/ OS          | Auxiliary bit enumerated variable 17_32.   |
| 37  | AUX_33_48 | Bitstring(2)           |                         |                  |       | D/ OS          | Auxiliary bit enumerated variable 33_48.   |
| 38  | AUX_49_64 | Bitstring(2)           |                         |                  |       | D/ OS          | Auxiliary bit enumerated variable 49_64.   |
| 39  | AUX_65_80 | Bitstring(2)           |                         |                  |       | D/ OS          | Auxiliary bit enumerated variable 65_80.   |
| 40  | AUX_81_96 | Bitstring(2)           |                         |                  |       | D/ OS          | Auxiliary bit enumerated variable 81_96.   |
| 41  | TON_PST   | 16 Floats              | Positive                | 0                | sec   | S/ OS          | Array of 16 float elements where the user can set the PST timer duration in seconds for each Timer ON Delay.   |
| 42  | TON_CTA   | 16 Floats              |                         | 0                | sec   | D              | Array of 16 float elements where the user can read the lapsed time until the PST timer duration in seconds for each Timer ON Delay.                    |
| 43  | TON_OUT   | Bitstring(2)           |                         |                  |       | D              | A bit enumerated that indicates the timer output states.   |
| 44  | TOFF_PST  | 16 Floats              | Positive                | 0                | sec   | S/ OS          | Array of 16 float elements where the user can set the PST timer duration in seconds for each Timer OFF Delay.  |
| 45  | TOFF_CTA  | 16 Floats              |                         | 0                | sec   | D              | Array of 16 float elements where the user can read the lapsed time until the PST timer duration in seconds for each Timer OFF Delay.                   |
| 46  | TOFF_OUT  | Bitstring(2)           |                         |                  |       | D              | A bit enumerated that indicates the timer output states.   |
| 47  | TP_PST    | 16 Floats              | Positive                | 0                | sec   | S/ OS          | Array of 16 float elements where the user can set the PST timer duration in seconds for each Timer Pulse.  |
| 48  | TP_CTA    | 16 Floats              |                         | 0                | sec   | D              | Array of 16 float elements where the user can read the lapsed time until the PST timer duration in seconds for each Timer Pulse.                       |
| 49  | TP_OUT    | Bitstring(2)           |                         |                  |       | D              | A bit enumerated that indicates the timer output states.   |
| 50  | CTU_PST   | 16 Unsigned32          | Positive                | 0                | None  | S/ OS          | Array of 16 unsigned integer32 elements where the user can set the PST value of each pulse counter. The counter will increment from zero to PST value. |

| Idx | Parameter       | Data Type/<br>(Length) | Valid Range/<br>Options | Default<br>Value | Units | Store/<br>Mode | Description  |
|-----|-----------------|------------------------|-------------------------|------------------|-------|----------------|--|
| 51  | CTU_CTA         | 16 Unsigned32          |                         | 0                | None  | D              | Array of 16 unsigned integer32 elements where the user can read the incremented value of each pulse counter.   |
| 52  | CTU_OUT         | Bitstring(2)           |                         |                  |       | D              | A bit enumerated that indicates the counter output states.   |
| 53  | CTD_PST         | 16 Unsigned32          | Positive                | 0                | None  | S/ OS          | Array of 16 unsigned integer32 elements where the user can set the PST value of each pulse counter. PST is a preset value since the counter will decrement until zero. |
| 54  | CTD_CTA         | 16 Unsigned32          |                         | 0                | None  | D              | Array of 16 unsigned integer32 elements where the user can read the decremented value of each pulse counter.   |
| 55  | CTD_OUT         | Bitstring(2)           |                         |                  |       | D              | A bit enumerated that indicates the counter output states.   |
| 56  | RS_OUT          | Bitstring(2)           |                         |                  |       | D              | A bit enumerated that indicates the RS Flip-Flop output states.  |
| 57  | SR_OUT          | Bitstring(2)           |                         |                  |       | D              | A bit enumerated that indicates the SR Flip-Flop output states.  |
| 58  | <b>LOGIC_01</b> | VisibleString(24)      |                         | Spaces           | Na    | S/ OS          | Logical Line Command 1.  |
| 59  | <b>LOGIC_02</b> | VisibleString(24)      |                         | Spaces           | Na    | S/ OS          | Logical Line Command 2.  |
| 60  | <b>LOGIC_03</b> | VisibleString(24)      |                         | Spaces           | Na    | S/ OS          | Logical Line Command 3.  |
| 61  | LOGIC_04        | VisibleString(24)      |                         | Spaces           | Na    | S/ OS          | Logical Line Command 4.  |
| 62  | LOGIC_05        | VisibleString(24)      |                         | Spaces           | Na    | S/ OS          | Logical Line Command 5.  |
| 63  | LOGIC_06        | VisibleString(24)      |                         | Spaces           | Na    | S/ OS          | Logical Line Command 6.  |
| 64  | LOGIC_07        | VisibleString(24)      |                         | Spaces           | Na    | S/ OS          | Logical Line Command 7.  |
| 65  | LOGIC_08        | VisibleString(24)      |                         | Spaces           | Na    | S/ OS          | Logical Line Command 8.  |
| 66  | LOGIC_09        | VisibleString(24)      |                         | Spaces           | Na    | S/ OS          | Logical Line Command 9.  |
| 67  | LOGIC_10        | VisibleString(24)      |                         | Spaces           | Na    | S/ OS          | Logical Line Command 10.   |
| 68  | LOGIC_11        | VisibleString(24)      |                         | Spaces           | Na    | S/ OS          | Logical Line Command 11.   |
| 69  | LOGIC_12        | VisibleString(24)      |                         | Spaces           | Na    | S/ OS          | Logical Line Command 12.   |
| 70  | LOGIC_13        | VisibleString(24)      |                         | Spaces           | Na    | S/ OS          | Logical Line Command 13.   |
| 71  | LOGIC_14        | VisibleString(24)      |                         | Spaces           | Na    | S/ OS          | Logical Line Command 14.   |
| 72  | LOGIC_15        | VisibleString(24)      |                         | Spaces           | Na    | S/ OS          | Logical Line Command 15.   |
| 73  | LOGIC_16        | VisibleString(24)      |                         | Spaces           | Na    | S/ OS          | Logical Line Command 16.   |
| 74  | LOGIC_17        | VisibleString(24)      |                         | Spaces           | Na    | S/ OS          | Logical Line Command 17.   |
| 75  | LOGIC_18        | VisibleString(24)      |                         | Spaces           | Na    | S/ OS          | Logical Line Command 18.   |
| 76  | LOGIC_19        | VisibleString(24)      |                         | Spaces           | Na    | S/ OS          | Logical Line Command 19.   |
| 77  | LOGIC_20        | VisibleString(24)      |                         | Spaces           | Na    | S/ OS          | Logical Line Command 20.   |
| 78  | LOGIC_21        | VisibleString(24)      |                         | Spaces           | Na    | S/ OS          | Logical Line Command 21.   |
| 79  | LOGIC_22        | VisibleString(24)      |                         | Spaces           | Na    | S/ OS          | Logical Line Command 22.   |
| 80  | LOGIC_23        | VisibleString(24)      |                         | Spaces           | Na    | S/ OS          | Logical Line Command 23.   |
| 81  | LOGIC_24        | VisibleString(24)      |                         | Spaces           | Na    | S/ OS          | Logical Line Command 24.   |
| 82  | LOGIC_25        | VisibleString(24)      |                         | Spaces           | Na    | S/ OS          | Logical Line Command 25.   |
| 83  | LOGIC_26        | VisibleString(24)      |                         | Spaces           | Na    | S/ OS          | Logical Line Command 26.   |
| 84  | LOGIC_27        | VisibleString(24)      |                         | Spaces           | Na    | S/ OS          | Logical Line Command 27.   |
| 85  | LOGIC_28        | VisibleString(24)      |                         | Spaces           | Na    | S/ OS          | Logical Line Command 28.   |
| 86  | LOGIC_29        | VisibleString(24)      |                         | Spaces           | Na    | S/ OS          | Logical Line Command 29.   |
| 87  | LOGIC_30        | VisibleString(24)      |                         | Spaces           | Na    | S/ OS          | Logical Line Command 30.   |
| 88  | LOGIC_31        | VisibleString(24)      |                         | Spaces           | Na    | S/ OS          | Logical Line Command 31.   |
| 89  | LOGIC_32        | VisibleString(24)      |                         | Spaces           | Na    | S/ OS          | Logical Line Command 32.   |

| Idx | Parameter   | Data Type/<br>(Length) | Valid Range/<br>Options  | Default<br>Value                                | Units | Store/<br>Mode | Description   |
|-----|-------------|------------------------|--|---|-------|----------------|---|
| 90  | LOGIC_33    | VisibleString(24)      |  | Spaces  | Na    | S/ OS          | Logical Line Command 33.                            |
| 91  | LOGIC_34    | VisibleString(24)      |  | Spaces  | Na    | S/ OS          | Logical Line Command 34.                            |
| 92  | LOGIC_35    | VisibleString(24)      |  | Spaces  | Na    | S/ OS          | Logical Line Command 35.                            |
| 93  | LOGIC_36    | VisibleString(24)      |  | Spaces  | Na    | S/ OS          | Logical Line Command 36.                            |
| 94  | LOGIC_37    | VisibleString(24)      |  | Spaces  | Na    | S/ OS          | Logical Line Command 37.                            |
| 95  | LOGIC_38    | VisibleString(24)      |  | Spaces  | Na    | S/ OS          | Logical Line Command 38.                            |
| 96  | LOGIC_39    | VisibleString(24)      |  | Spaces  | Na    | S/ OS          | Logical Line Command 39.                            |
| 97  | LOGIC_40    | VisibleString(24)      |  | Spaces  | Na    | S/ OS          | Logical Line Command 40.                            |
| 98  | LOGIC_41    | VisibleString(24)      |  | Spaces  | Na    | S/ OS          | Logical Line Command 41.                            |
| 99  | LOGIC_42    | VisibleString(24)      |  | Spaces  | Na    | S/ OS          | Logical Line Command 42.                            |
| 100 | LOGIC_43    | VisibleString(24)      |  | Spaces  | Na    | S/ OS          | Logical Line Command 43.                            |
| 101 | LOGIC_44    | VisibleString(24)      |  | Spaces  | Na    | S/ OS          | Logical Line Command 44.                            |
| 102 | LOGIC_45    | VisibleString(24)      |  | Spaces  | Na    | S/ OS          | Logical Line Command 45.                            |
| 103 | LOGIC_46    | VisibleString(24)      |  | Spaces  | Na    | S/ OS          | Logical Line Command 46.                            |
| 104 | LOGIC_47    | VisibleString(24)      |  | Spaces  | Na    | S/ OS          | Logical Line Command 47.                            |
| 105 | LOGIC_48    | VisibleString(24)      |  | Spaces  | Na    | S/ OS          | Logical Line Command 48.                            |
| 106 | LOGIC_49    | VisibleString(24)      |  | Spaces  | Na    | S/ OS          | Logical Line Command 49.                            |
| 107 | LOGIC_50    | VisibleString(24)      |  | Spaces  | Na    | S/ OS          | Logical Line Command 50.                            |
| 108 | LOGIC_CHECK | Unsigned8              | 0 - Enable.,<br>1 - Checked.<br>2- Changed but<br>not checked<br>yet.  | 1 -<br>Checked.                                 | Na    | D/OS           | Allows the check for logic line.                    |
| 109 | ERROR_LINE  | Unsigned8              | 0-50   | 1   | Na    | S              | Indicates the logic line where there is an error.   |
| 110 | ERROR_CODE  | Unsigned8              | 0 - Logic Ok.<br>1 - Exceed<br>String Length or<br>string not valid.<br>2 - Non valid<br>operand.<br>3 - No<br>implemented<br>logic or missing<br>'.'<br>4 - Missing<br>parentheses or<br>argument not<br>valid.<br>5 - Non valid<br>resource.<br>6 - Argument not<br>valid.<br>7 - Function not<br>valid<br>8 - Non available<br>resource.<br>9 - Non valid<br>attribution.<br>10 - First<br>Argument not<br>valid.<br>11- Second<br>Argument not<br>valid. | 3 - No<br>implemented<br>logic or<br>missing '; | Na    | S              | Indicated the code for the error in the logic line. |

| Idx | Parameter     | Data Type/<br>(Length) | Valid Range/<br>Options   | Default<br>Value  | Units | Store/<br>Mode | Description  |
|-----|---------------|------------------------|---|---|-------|----------------|--|
| 111 | CHANGE_OPTION | Unsigned8              | 0 - Logic parameter changes are only allowed in Out of Service.<br>1 - Always accept Logic parameter changes. | 0 - Logic parameter changes are only allowed in Out of Service. | Na    | S              | Enable logic parameter changes independent of Mode Block parameter   |
| 112 | UPDATE_EVT    | DS-73                  |   |   | Na    | D              | This alert is generated by any change to the static data.  |
| 113 | BLOCK_ALM     | DS-72                  |   |   | Na    | D              | The block alarm is used for all configuration, hardware, connection failure or system problems in the block. The cause of the alert is entered in the subcode field. The first alert to become active will set the Active status in the Status attribute. As soon as the Unreported status is cleared by the alert reporting task, another block alert may be reported without clearing the Active status, if the subcode has changed. |

Legend: E – Enumerated parameter; Na – Adimensional parameter; RO – Read only; D – dynamic; N – non-volatile; S – Static

Gray Background Line: Default Parameters of Syscon

The following table describes the Logic Operation and Command line and the correspondent Symbols used in the logic line:

| Logic Operation and Command line | Symbol - description         |
|----------------------------------|------------------------------|
| AND                              | &                            |
| OR                               |                              |
| XOR                              | ^                            |
| NOT                              | !                            |
| EQUAL                            | =                            |
| (arg1,arg2)                      | To define function arguments |
| ;                                | End of logic line            |

The logic NOT (!) works only with simple variables. Example: OUT1=!IN1;

Note That is not allowed to have, for example, OUT1=!TP01(IN1);. To use this way, we should have: A01= TP01(IN1);. -> OUT1=!A01;

The logic is always executed line by line and from left to right in the logic line. Spaces are not allowed between the characters. **It is not allowed empty lines between logic lines and the implementation of logic lines must be in sequence.**

After writing the logic into the LOGIC\_XX (XX:01 -> XX:50) parameters, the user needs to select the option “Enable” in the parameter LOGIC\_CHECK to verify the errors. **When the logic is configured using the download process, it is necessary to configure firstly the LOGIC\_XX (XX:01 -> XX:50) parameters and then the LOGIC\_CKECK parameter. This sequence is fundamental to performing the check.**

The following table shows the mnemonic for each block parameter used in the logic lines. The mnemonic must be in capital letters:



| Parameter     | Mnemonic |
|---------------|----------|
| HW_IN.Value1  | I01      |
| HW_IN.Value2  | I02      |
| HW_IN.Value3  | I03      |
| HW_IN.Value4  | I04      |
| HW_IN.Value5  | I05      |
| HW_IN.Value6  | I06      |
| HW_IN.Value7  | I07      |
| HW_IN.Value8  | I08      |
| HW_IN.Value9  | I09      |
| HW_IN.Value10 | I10      |
| HW_IN.Value11 | I11      |
| HW_IN.Value12 | I12      |
| HW_IN.Value13 | I13      |
| HW_IN.Value14 | I14      |
| HW_IN.Value15 | I15      |
| HW_IN.Value16 | I16      |
| HW_IN.Status  | SI       |
| HW_OUT.Status | SO       |
| HW_OUT.Value1 | O1       |
| HW_OUT.Value2 | O2       |
| HW_OUT.Value3 | O3       |
| HW_OUT.Value4 | O4       |
| HW_OUT.Value5 | O5       |
| HW_OUT.Value6 | O6       |
| HW_OUT.Value7 | O7       |
| HW_OUT.Value8 | O8       |
| IN_D1.Status  | IN1S     |
| IN_D2.Status  | IN2S     |
| IN_D3.Status  | IN3S     |
| IN_D4.Status  | IN4S     |
| IN_D5.Status  | IN5S     |
| IN_D6.Status  | IN6S     |
| IN_D7.Status  | IN7S     |
| IN_D8.Status  | IN8S     |
| IN_D1.Value   | IN1      |
| IN_D2.Value   | IN2      |
| IN_D3.Value   | IN3      |
| IN_D4.Value   | IN4      |
| IN_D5.Value   | IN5      |
| IN_D6.Value   | IN6      |
| IN_D7.Value   | IN7      |
| IN_D8.Value   | IN8      |
| OUT_D1.Status | SOUT1    |
| OUT_D2.Status | SOUT2    |
| OUT_D3.Status | SOUT3    |
| OUT_D4.Status | SOUT4    |
| OUT_D5.Status | SOUT5    |
| OUT_D6.Status | SOUT6    |

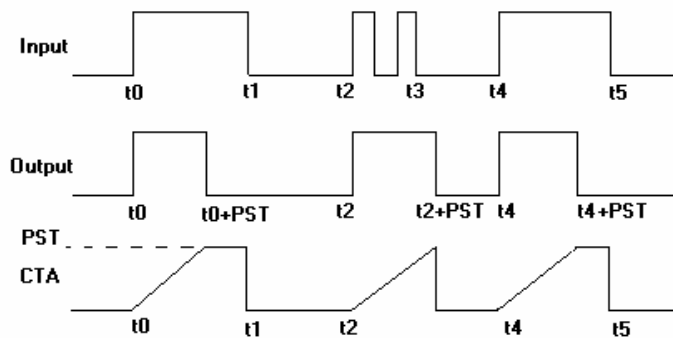
| Parameter     | Mnemonic    |
|---------------|-------------|
| OUT_D7.Status | SOUT7       |
| OUT_D8.Status | SOUT8       |
| OUT_D1.Value  | OUT1        |
| OUT_D2.Value  | OUT2        |
| OUT_D3.Value  | OUT3        |
| OUT_D4.Value  | OUT4        |
| OUT_D5.Value  | OUT5        |
| OUT_D6.Value  | OUT6        |
| OUT_D7.Value  | OUT7        |
| OUT_D8.Value  | OUT8        |
| FSTATE_VAL_D1 | FS1         |
| FSTATE_VAL_D2 | FS2         |
| FSTATE_VAL_D3 | FS3         |
| FSTATE_VAL_D4 | FS4         |
| FSTATE_VAL_D5 | FS5         |
| FSTATE_VAL_D6 | FS6         |
| FSTATE_VAL_D7 | FS7         |
| FSTATE_VAL_D8 | FS8         |
| AUX_01_16     | A01-A16     |
| AUX_17_32     | A17-A32     |
| AUX_33_48     | A33-A48     |
| AUX_49_64     | A49-A64     |
| AUX_65_80     | A65-A80     |
| AUX_81_96     | A81-A96     |
| TON           | TON01-TON16 |
| TOFF          | TOF01-TOF16 |
| TP            | TP01-TP16   |
| CTU           | CTU01-CTU16 |
| CTD           | CTD01-CTD16 |
| RS            | RS01-RS16   |
| SR            | SR01-SR16   |

### Functions

For each type of function there are 16 available resources and the user can use only once each resource. To use the function results, the user can make attribution for auxiliary bits.

#### TP TIMER PULSE

This function generates a fixed time pulse in the output timer for every rising (false to true transition) on the input timer. The pulse width is determined by TP\_PST parameter in seconds. Transitions in the input timer will be ignored while the pulse is active. The current time is available in the TP\_CTA parameter.



*Timer Pulse Function – timing diagrams*

**The syntax for Timer Pulse is: TPxx(arg)**

Where, xx is the used resource from 01 to 16 and arg is the function argument and it must be a simple variable. Examples:

```
O1=TP01(IN1);
OUT1= TP01(A05);
OUT3=TP08(FS1);
```

For example, the following examples are not allowed in the logic line:

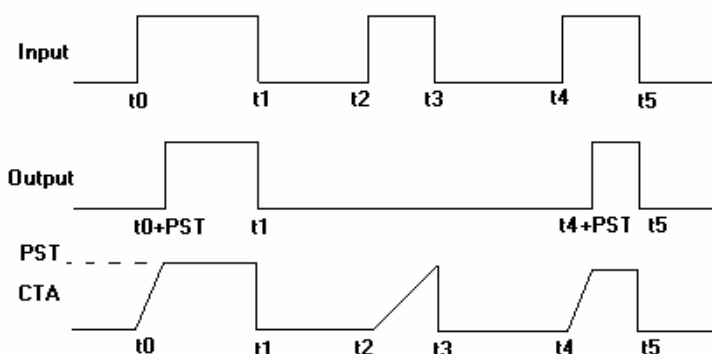
O1=TP01(IN1&IN2);: note that the argument is a result of an operation, it is not allowed.

O1=TP10(!IN1);: note that the argument is a result of NOT function, it is not allowed.

O1=TP10(CTD01(IN1,IN2));: note that the argument is a result of a function, it is not allowed.

**TON TIMER ON-DELAY**

This function delays the timer output of going to true for a period of time after the input has moved to true. This period is configured by TON\_PST parameter in seconds. If the input goes to false before the PST time, the output timer will remain in false. The CTA parameter will show the remainder time until PST value.



*Timer On-Delay Function – timing diagrams*

**The syntax for Timer On-Delay is: TONxx(arg)**

Where, xx is the used resource from 01 to 16 and arg is the function argument and it must be a simple variable . Examples:

```
O1=TON01(IN1)&S1;
OUT1= TON01(A05);
OUT3=TON08(FS1);
```

For example, the following examples are not allowed in the logic line:

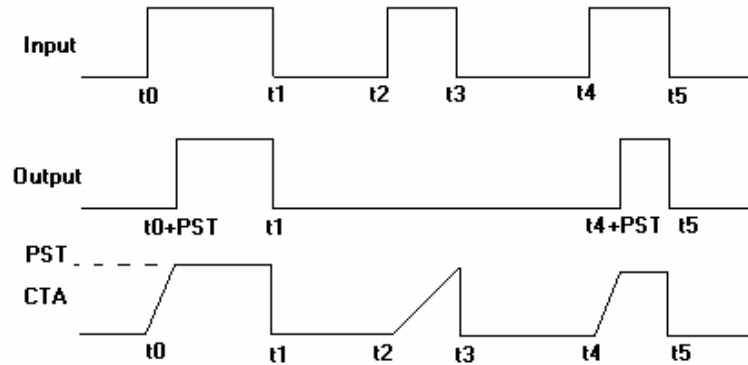
O1=TON01(IN1&IN2);: note that the argument is a result of an operation, it is not allowed.

O1=TON10(!IN1);: note that the argument is a result of NOT function, it is not allowed.

O1=TON10(CTD01(IN1,IN2));: note that the argument is a result of a function, it is not allowed.

#### TOF TIMER OFF-DELAY

This function extends the true state of timer input for a determined period of time for the output timer. This period is configured by TOF\_PST parameter in seconds. If the input goes to true before the out goes to false, the out will stay on true and the time period will begin to count again at the moment when the input goes to false. The CTA parameter will show the remainder time until PST value.



Timer OFF-Delay Function – timing diagrams

#### The syntax for Timer Off-Delay is: TOFxx(arg)

Where, xx is the used resource from 01 to 16 and arg is the function argument and it must be a simple variable .Examples:

**O1=TOF01(IN1)&SI;**

**OUT1= TOF01(A05);**

**OUT3=TOF08(FS1);**

For example, the following examples are not allowed in the logic line:

O1=TOF01(IN1&IN2);: note that the argument is a result of an operation, it is not allowed.

O1=TOF10(!IN1);: note that the argument is a result of NOT function, it is not allowed.

O1=TOF10(CTD01(IN1,IN2));: note that the argument is a result of a function, it is not allowed.

#### CTD PULSE COUNTER DOWN

This function is used to count rising transitions (from false to true) in the counter input(arg1). Every time it is seeing a rising transition the internal counter accumulator (CTA) decrements of one. When the CTA reaches zero the counter output will go to true. The counter value will be preset for PST.A transition from false to true in the second argument(arg2) presets the counter.

#### The syntax for CTD is: CTDxx(arg1,arg2)

Where, xx is the used resource from 01 to 16 and arg1 and arg2 are the function arguments and they must be simple variables. Examples:

**O3=CTD10(IN1,IN2);**

**OUT1=CTD03(A11,A14)&SI;**

For example, the following examples are not allowed in the logic line:

O1=CTD01(IN1&IN2,IN3);: note that the argument is a result of an operation, it is not allowed.

O1=CTD10(!IN1,IN3);: note that the argument is a result of NOT function, it is not allowed.

O1=CTD10(TP01(IN1),IN2);: note that the argument is a result of a function, it is not allowed.

**CTU PULSE COUNTER UP**

This function is used to count rising transitions (from false to true) in the counter input(arg1). Every time it is seeing a rising transition the internal counter accumulator (CTA) increments of one. When the CTA reaches the preset value PST, the counter output will go to true. A transition from false to true in the second argument(arg2) resets the counter.

**The syntax for CTU is: CTUxx(arg1,arg2)**

Where, xx is the used resource from 01 to 16 and arg1 and arg2 are the function arguments and they must be simple variables. Examples:

```
O3=CTU10(IN1,IN2);
OUT1=CTU03(A11,A14)&SI;
```

For example, the following examples are not allowed in the logic line:

O1=CTU01(IN1&IN2,IN3);: note that the argument is a result of an operation, it is not allowed.

O1=CTU10(!IN1,IN3);: note that the argument is a result of NOT function, it is not allowed.

O1=CTU10(TP01(IN1),IN2);: note that the argument is a result of a function, it is not allowed.

**RS FLIP-FLOP**

This function has the following operation table:

| R(arg1) | S(arg2) | OUT        |
|---------|---------|------------|
| 0       | 0       | Last state |
| 0       | 1       | 1          |
| 1       | 0       | 0          |
| 1       | 1       | 0          |

**The syntax for RS Flip-Flop is: RSxx(arg1,arg2)**

Where, xx is the used resource from 01 to 16 and arg1 and arg2 are the function arguments and they must be simple variables. Examples:

```
O3=RS10(IN1,IN2);
OUT1=RS03(A11,A14)&SI;
```

For example, the following examples are not allowed in the logic line:

O1=RS01(IN1&IN2,IN3);: note that the argument is a result of an operation, it is not allowed.

O1=RS10(!IN1,IN3);: note that the argument is a result of NOT function, it is not allowed.

O1=RS10(TP01(IN1),IN2);: note that the argument is a result of a function, it is not allowed.

**SR FLIP-FLOP**

This function has the following operation table:

| S(arg1) | R(arg2) | OUT        |
|---------|---------|------------|
| 0       | 0       | Last state |
| 0       | 1       | 0          |
| 1       | 0       | 1          |
| 1       | 1       | 1          |

**The syntax for SR Flip-Flop is: SRxx(arg1,arg2)**

Where, xx is the used resource from 01 to 16 and arg1 and arg2 are the function arguments and they must be simple variables. Examples:

```
O3=SR10(IN1,IN2);
OUT1=SR03(A11,A14)&SI;
```

For example, the following examples are not allowed in the logic line:

O1=SR01(IN1&IN2,IN3);: note that the argument is a result of an operation, it is not allowed.

O1=SR10(!IN1,IN3);: note that the argument is a result of NOT function, it is not allowed.

O1=SR10(TP01(IN1),IN2);: note that the argument is a result of a function, it is not allowed.

**Error Code**

Some examples of error conditions:

**Error Code: "Exceed String Length or string not valid."**

a) `OUT1=IN1&IN2&IN2|IN4^IN5|IN6;`

Note that they are 29 characters on the string and the maximum allowed is 24.

b) `OUT1=IN1&in2;`

Note that the logic is case sensitive. All characters must be in capital letters.

**Error Code: "Non valid operand."**

`OUT1=IN1%IN2;`

Note that the % is not allowed. See the table that describes the Logic Operation and Command line.

**Error Code: "No implemented logic or missing ';' ."**

`OUT1=IN1`

Note that is missing the ";" at the final of logic line.

**Error Code: "Missing parentheses or argument not valid."**

`OUT1=TP10(IN1;`

Note that is missing parentheses in the timer pulse function.

**Error Code: "Non valid resource."**

`OUT1=TP18(IN1);`

Note there are 16 resources for each function

**Error Code: "Argument not valid."**

`OUT1=TP10(IN10);`

Note there are only 8 inputs. IN10 is not valid argument.

**Error Code: "Function not valid."**

`OUT1=TR10(IN1);`

Note that TR is not valid function.

**Error Code: "Non available resource."**

`OUT1=TP10(IN1);`

`A03=TP10(IN7);`

Note there are 16 resources for each function and the resource 10 for the timer was already in using than the user needs to select other resource for the logic line:

`A03=TP10(IN7);`

**Error Code: "Non valid attribution."**

`IN1=IN2^TP03(IN4);`

Note that is not allowed attribution to inputs.

**Error Code: "First Argument not valid."**

`OUT1=CTD01(!IN1,IN2);`

Note that the arguments are necessarily simple variables and not functions.

```
OUT1=RS11(IN15,IN2);
```

Note that the first argument is not allowed.

**Error Code: "Second Argument not valid."**

```
a) OUT1=CTD01(IN1,!IN2);
```

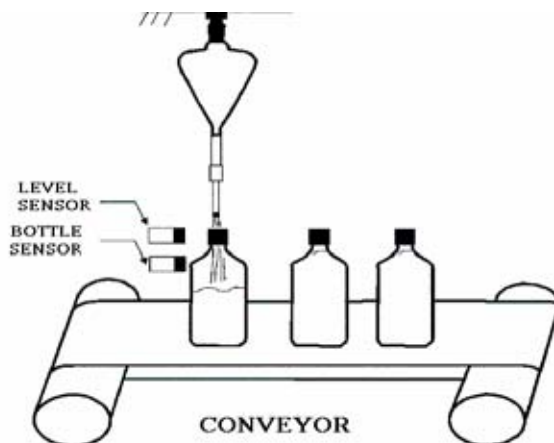
Note that the arguments are necessarily simple variables and not functions.

```
OUT1=RS11(IN1,IN20);
```

Note that the second argument is not allowed.

### Example of applications:

1) According to the next figure, we have an industrial application where the aim is to fill up the bottles with a chemical fluid. The conveyor moves the bottles up to the filling direction and then the bottle is detected by a sensor. The conveyor must stop and open the valve of filling and the level is detected by another sensor. After detecting the level, the system must wait for 10 seconds and then moves the conveyor again until the next bottle.



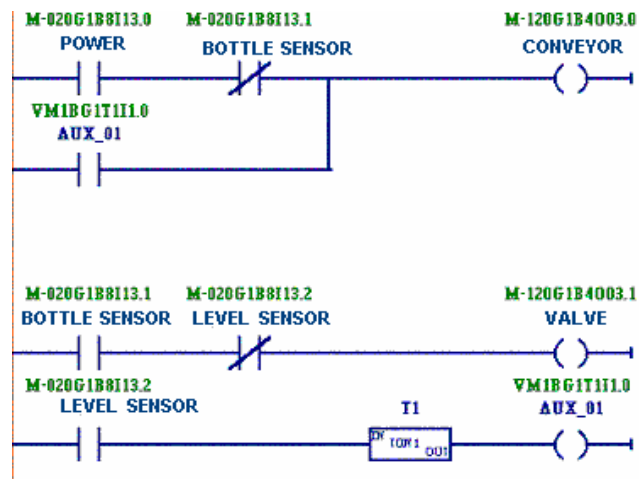
Using the Flexible Function Block we have the following definitions:

- The conveyor will be turned on using the hardware output 01 (O1);
- The fluid valve will be turned on using the hardware output 02 (O2);
- The bottle sensor will be connected to the hardware input 01 (I01);
- The level sensor will be connected to the hardware input 02 (I02);
- The power system will be connected to the hardware input 03 (I03);

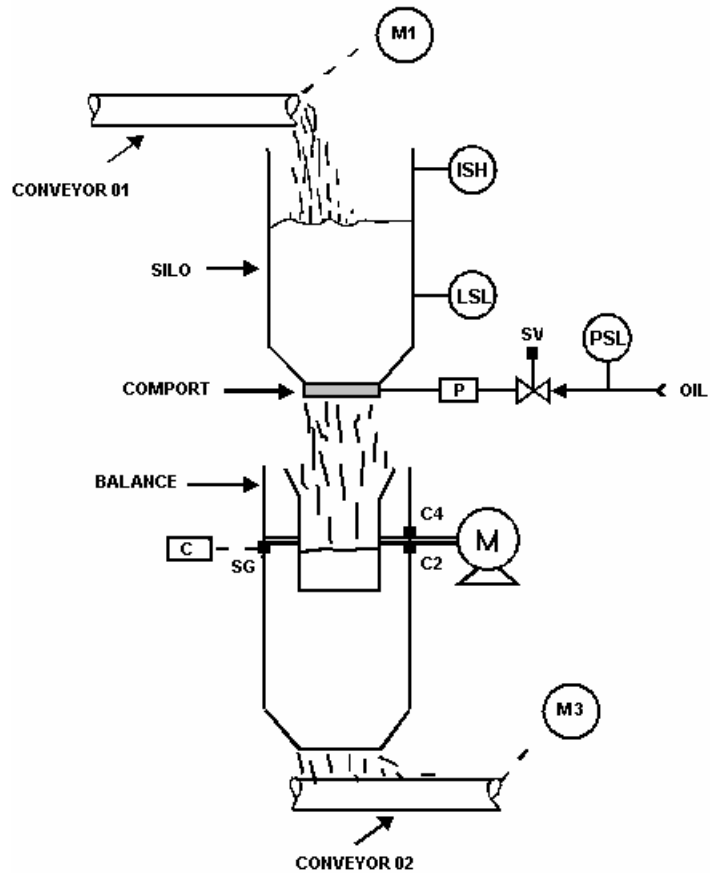
We have the following configuration:

```
TON_PST resource [01] = 10.0s.
LOGIC_01    A01=TON01(I02);
LOGIC_02    O1=I03&!I01|A01;
LOGIC_03    O2=I01&!I02;
```

Making an analogy to ladder programming, we have:



2) The following application we have the control of steps to operate an electro-mechanical balance, that weights phosphatic stone .  
 The weight process is done by boat-load, the system executes one full weight cycle each interval time of 20 seconds. See the following figure:



- M1 e M3 - Motors for the conveyors
- C2 e C4 - Limit Switches
- LSH - High Level Sensor
- LSL - Low Level Sensor
- SG - Load Cell
- SV - Solenoid Valve
- M - Bucket Motor
- P - Comport Piston



## C - Weight Circuit

### Process:

The system requires the following conditions to startup:

- The phosphatic stone level (LSL non activated);
- Oil Pressure (PSL on);
- Conveyor 02 active (M3 on);
- Bucket in initial position (C4 on);

After the initial conditions, we note:

- Activating the power switch, the comport opens, and then this begins the loading bucket
- After reaches the desired weight, the comport closes. After 5 seconds, the bucket rotates 180° and unload the product into the conveyor 02.

### Observation:

This new detected position will be detected by C2 and after 5 seconds, the bucket will have to return to initial position and this will be detected by C4.

- After the bucket return to the initial position, we have a new weight cycle.

### Comment:

- The operation sequence must be stopped if any requiring is not satisfied.
- The silo comport is activated by a hydraulic piston.

Using the Flexible Function Block we have the following definitions:

- LSL will be connected to the hardware input 01 (I01);
- LSH will be connected to the hardware input 02 (I02);
- PSL will be connected to the hardware input 03 (I03);
- C2 will be connected to the hardware input 04 (I04);
- C4 will be connected to the hardware input 05 (I05);
- Power will be connected to the hardware input 06 (I06);
- M3 will be connected to the hardware input 07 (I07);
- M will be activated by hardware output 01 (O1);
- The Comport will be activated by hardware output 02 (O2);
- M1 will be activated by hardware output 03 (O3);

We have the following configuration:

```
TON_PST resource [01] = 5.0s.
LOGIC_01   A01=!I01&I03&I07&I05;
LOGIC_02   A02=I06&RS01(I02,I01);
LOGIC_03   O3=A02&I03;
LOGIC_04   A03=I03&I07;
LOGIC_05   O2=I06&A03&!I04;
LOGIC_06   O1=TON01(I04)&!I05&A03;
```

3) Using Fault-State values:

Lets suppose we have the following condition:

- A01: it receives the logic between the status for discrete inputs like this:  $A01=IN1S\&IN2S$ ; when the status is bad for one of these inputs then  $A01=false(0)$ , otherwise,  $A01=true(1)$ ;
- FS1: it is the fault-state value for O1;
- A02: it is the bit containing the logic for O1;

We have the following table between the FS1, A01 and A02:

| FS1 | A01 | A02 | O1 |
|-----|-----|-----|----|
| 0   | 0   | 0   | 0  |
| 0   | 0   | 1   | 0  |
| 0   | 1   | 0   | 0  |
| 0   | 1   | 1   | 1  |
| 1   | 0   | 0   | 1  |
| 1   | 0   | 1   | 1  |
| 1   | 1   | 0   | 0  |
| 1   | 1   | 1   | 1  |

Then,

A03=!FS1&A01&A02;  
A04=FS1&!A01&!A02;  
A05=FS1&!A01&A02;  
A06=FS1&A01&A02;  
**O1=A03|A04|A05|A06;**

## HART Function Blocks

### Instructions on HI302 Configuration

The minimum configuration to be applied in the Syscon consists of:

- 1 RESOURCE block;
- 1 HCFG block;
- 1HIRT block for each HART device;
- Just one HVT block, if necessary to use specific commands or a complete set of Common Practice” commands. This block is shared with all the devices installed.
- 1 HCD block and 1 HWPC block for each specific configuration (that is) not stored in the FLASH memory. The configuration for Smar devices is embedded in the FLASH memory.

The maximum block limit and its quantity in the factory configuration are shown below:

| BLOCK   | MAXIMUM | FCT INIT |
|---------|---------|----------|
| RS      | 1       | 1        |
| DIAG    | 1       | 1        |
| MAO/MAI | 1*      | 1*       |
| HCFG    | 1       | 1        |
| HIRT    | 32      | 8        |
| HVT     | 1       | 1        |
| HCD     | 4       | 0        |
| HWPC    | 4       | 0        |

\* Except for the HI302-N = 0

#### IMPORTANT

Every time a download is performed, wait until the yellow LED turns off in order to save the data in the EEPROM memory. After saving, you can turn off the equipment or reset it. If the equipment is turned off or reset during the data saving procedure, the configuration must be done again. See the chapter “HI302 Configuration Example” for more details.

### HCFG Block

#### Configuring the HCFG block

The HCFG block (HART Configuration) has a series of parameters which can be divided into two categories: operation parameters and diagnostic parameters.

| Parameter           | Value   | Quality                | Changed | Offset | Handling |
|---------------------|---|------------------------|---------|--------|----------|
| ST_REV              | 4   | Good Non Specific: Not | 1       |        | RD       |
| TAG_DESC            | HART General Configuration Block                | Good Non Specific: Not | 2       |        | RW       |
| STRATEGY            | 0   | Good Non Specific: Not | 3       |        | RW       |
| ALERT_KEY           | 0   | Good Non Specific: Not | 4       |        | RW       |
| MODE_BLK            |   |                        | 5       |        |          |
| BLOCK_ERR           | <None>  | Good Non Specific: Not | 6       |        | RD       |
| SIMUL_COMM_ENABLE   | Enable simultaneous communications on all the   | Good Non Specific: Not | 7       |        | RW       |
| MASTER_TYPE         |   |                        | 8       |        |          |
| [1]                 | Primary   | Good Non Specific: Not | 1       |        | RW       |
| [2]                 | Primary   | Good Non Specific: Not | 2       |        | RW       |
| [3]                 | Primary   | Good Non Specific: Not | 3       |        | RW       |
| [4]                 | Primary   | Good Non Specific: Not | 4       |        | RW       |
| [5]                 | Primary   | Good Non Specific: Not | 5       |        | RW       |
| [6]                 | Primary   | Good Non Specific: Not | 6       |        | RW       |
| [7]                 | Primary   | Good Non Specific: Not | 7       |        | RW       |
| [8]                 | Primary   | Good Non Specific: Not | 8       |        | RW       |
| RETRIES             |   |                        | 9       |        |          |
| COMM_ENABLE         | True  | Good Non Specific: Not | 10      |        | RW       |
| CHANNEL_ACTIVE      |   |                        | 11      |        |          |
| MASTER_SYNCHRONIZED |   |                        | 12      |        |          |
| CHANNEL_MODE        |   |                        | 13      |        |          |
| MASTER_STATE        |   |                        | 14      |        |          |
| [1]                 | Watching  | Good Non Specific: Not | 1       |        | RD       |
| [2]                 | Watching  | Good Non Specific: Not | 2       |        | RD       |
| [3]                 | Watching  | Good Non Specific: Not | 3       |        | RD       |
| [4]                 | Watching  | Good Non Specific: Not | 4       |        | RD       |
| [5]                 | Watching  | Good Non Specific: Not | 5       |        | RD       |
| [6]                 | Watching  | Good Non Specific: Not | 6       |        | RD       |
| [7]                 | Watching  | Good Non Specific: Not | 7       |        | RD       |
| [8]                 | Watching  | Good Non Specific: Not | 8       |        | RD       |
| CHANNEL_EFFICIENCY  |   |                        | 15      |        |          |
| INVALID_PREAMBLES   |   |                        | 16      |        |          |
| INVALID_SOM         |   |                        | 17      |        |          |
| INVALID_FRAMES      |   |                        | 18      |        |          |
| VALID_FRAMES        |   |                        | 19      |        |          |
| SCRATCH             | 00 00 00 00 00 00 00 00 00 00 00 00 00 00 00 00 | Good Non Specific: Not | 20      |        | RW       |
| UPDATE_EVT          |   |                        | 21      |        |          |
| BLOCK_ALM           |   |                        | 22      |        |          |

### HART communication Operation Parameters

**FIRMWARE\_VERSION:** A parameter indispensable to solve problems. If something is not working properly, confirm the equipment version before contacting the technical support.

**COMM\_BEHAVIOR:** Defines the HI302 behavior. It can operate in two ways: if the parameter is **Autonomous**, the HI302 communicates with the HART devices by using the previous configuration, i.e., in an independent way. The second way uses bypass parameters to send and receive HART messages. To do so, this parameter should be configured as **Bypass**.

**COMM\_ENABLE:** This parameter has two important functions:

- To disable the whole HART communication for maintenance and configuration changes;
- To validate the configuration loaded in the equipment and then begin the communication (afterwards). Its first value is **DISABLED**. Before making any change in the block configuration, (a must) set it on **ENABLED**, stopping the HART communication. After the configuration download, this parameter should be re-set to **ENABLED**.

**ATTENTION**

When changing the channel in the HIRT block or downloading new configurations, this parameter is automatically set on **DISABLED**, stopping, then, the HART communication in all channels. When the download finishes **ENABLED** must be set manually. If this procedure is not performed, the HI302 will not work properly.

**CHANNEL\_ACTIVE:** This indicates how many HIRT blocks are instantiated for each HART channel. If no HIRT block is instantiated for the channel, the corresponding element of this parameter will display **NO** and the channel will be deactivated. As a result, there will be no device communication or scanning. The LED channel will blink at approximately 1/4 Hz. This parameter is useful to check the configuration. The HVT block is also counted in this parameter.

**MASTER\_TYPE:** This parameter allows for adjusting the channel as a **Primary** master or as a **Secondary** master. Remember that each channel is an independent master. In normal conditions, the channel should be a primary master in order to permit the use of a portable configurator.

**RETRIES:** This parameter adjusts the number of times the HI302 will try to communicate with a device, before detecting that the device doesn't respond. The standard value is 3 retries.

#### **HART Communication Diagnostic Parameters**

**MASTER\_SYNCHRONIZED:** Indicates if every Master channel has synchronized the communication layer and if each is ready to transmit the HART messages in normal operation or in Bypass mode.

**CHANNEL\_MODE:** Indicates if the channel is operating normally or there is any device in BURST\_MODE.

**MASTER\_STATE:** Shows the status of the HART channel at every moment:

- **WATCHING**, indicates that the channel is only reading data that passes through the line and are crucial to keep the synchronism if there is another Master or any device in Burst mode.
- **ENABLED**, the channel is free to send a HART message.
- **USING**, indicates that a message was sent and a corresponding response is expected. The response has to be sent within the maximum number of retries configured in the RETRIES parameter.

**COMM\_ERRORS:** shows the percentage of detected errors in the communication of each HART channel. If the error percentage is lower than 0,5%, communication is in high quality.

**REQUEST\_COUNTER:** Totals the number of messages sent by each channel, including the retries.

**RETRIES\_COUNTER:** Totals the number of repetitions for each channel. A high value in this parameter (>0,5%) may indicate any installation problem or any command not supported by the device.

**INVALID\_SOM:** Totals the number of invalid SOM (Start of Message) detected in the channel. A high value in this parameter may indicate installation problems or any device with a problem.

**INVALID\_RX\_FRAMES:** Totals the number of HART messages received but not considered because of any inconsistency in the message, for example, checksum error.

**VALID\_RX\_FRAMES:** Totals the number of valid messages received and processed by the HI302, even if they are not addressed to it, for example, OACK, OBACK, STX etc

#### **WARNING**

The counter parameters, used for diagnostic purposes, are always reset when the **COMM\_ENABLE** parameter goes to **ENABLED**.

## HIRT Block

### Configuring the HIRT block

This block has a set of parameters that map all of the HART variables that can be accessed by the universal commands and by the some of the most usable “common practice” commands. Remember that there is a HIRT block for each HART device installed and that the configuration may vary according to the application mode and type.

| Parameter              | Value   | Quality                  | Changed | Other | Handling |
|------------------------|---|--------------------------|---------|-------|----------|
| --HART_CHANNEL         | 1   | Good Non Specific: Not L | 7       |       | Rw       |
| --POLL_ADDR            | 11  | Good Non Specific: Not L | 8       |       | Rw       |
| --HART_TAG             | Unknown   | Good Non Specific: Not L | 9       |       | Rw       |
| --HART_LONG_TAG        | Unknown   | Good Non Specific: Not L | 10      |       | Rw       |
| --HCD_SEL              | 5   | Good Non Specific: Not L | 11      |       | Rw       |
| --ID_CMD               | 0   | Good Non Specific: Not L | 12      |       | Rw       |
| --ID_METHOD            | Automatic   | Good Non Specific: Not L | 13      |       | Rw       |
| --POLL_CMD             | 3   | Good Non Specific: Not L | 14      |       | Rw       |
| --POLL_CTRL            | Poling Enable                                     | Good Non Specific: Not L | 15      |       | Rw       |
| COMMON_CMD_CTRL        |   |                          | 16      |       |          |
| --DEV_IDENTIFIED       | The device was not identified yet or there is son | Good Non Specific: Not L | 17      |       | Rw       |
| --BLK_EXEC_STATE       | Old Data  | Good Non Specific: Not L | 18      |       | RD       |
| --UNIQUE_ID            | 00 00 00 00 00                                    | Good Non Specific: Not L | 19      |       | RD       |
| --HART_BYPASS_REQUEST  | 00 00 00 00 00 00 00 00 00 00 00 00 00 00 00 00   | Good Non Specific: Not L | 20      |       | Rw       |
| --HART_BYPASS_RESPONSE | 15e   | Good Non Specific: Not L | 21      |       | RD       |
| --HART_BYPASS_STATUS   | No error  | Good Non Specific: Not L | 22      |       | Rw       |
| --COMM_ERR             | Success   | Good Non Specific: Not L | 23      |       | Rw       |
| --RESP_CODE            | <None>  | Good Non Specific: Not L | 24      |       | RD       |
| --DEVICE_STATUS        | <None>  | Good Non Specific: Not L | 25      |       | RD       |
| --MAN_ID               | Smaz  | Good Non Specific: Not L | 26      |       | RD       |
| --DEV_TYPE             | 0   | Good Non Specific: Not L | 27      |       | RD       |
| --MNP_REQ              | 0   | Good Non Specific: Not L | 28      |       | RD       |
| --UNI_REV              | 0   | Good Non Specific: Not L | 29      |       | RD       |
| --SPEC_REV             | 0   | Good Non Specific: Not L | 30      |       | RD       |
| --SW_REV               | 0   | Good Non Specific: Not L | 31      |       | RD       |
| --HPIRW_REV            | 0   | Good Non Specific: Not L | 32      |       | RD       |
| --FLAGS                | <None>  | Good Non Specific: Not L | 33      |       | RD       |
| --DEV_ID               | 00 00 00  | Good Non Specific: Not L | 34      |       | RD       |
| --MNP_RSP              | 2   | Good Non Specific: Not L | 35      |       | Rw       |
| --MAX_VAR              | 0   | Good Non Specific: Not L | 36      |       | RD       |
| --CFG_COUNT            | 0   | Good Non Specific: Not L | 37      |       | RD       |
| --EXIT_STATUS          | Disabled  | Good Non Specific: Not L | 38      |       | RD       |
| PV_MA                  |   |                          | 39      |       |          |
| --STATUS               | Bad_OutOfService Not Limited                      | Good Non Specific: Not L | .1      |       | Rw       |
| --VALUE                | 0   | Good Non Specific: Not L | .2      |       | RD       |
| --LOOP_TEST            | 0   | Good Non Specific: Not L | 40      |       | Rw       |
| --LOOP_CMODE           | Not Used  | Good Non Specific: Not L | 41      |       | Rw       |
| PV_PERC                |   |                          | 42      |       |          |
| --PV_CLASS             | Reserved  | Good Non Specific: Not L | 43      |       | RD       |
| --PV_UC                | degC  | Good Non Specific: Not L | 44      |       | Rw       |
| PV_VAL                 |   |                          | 45      |       |          |
| --STATUS               | Bad_OutOfService Not Limited                      | Good Non Specific: Not L | .1      |       | Rw       |
| --VALUE                | 0   | Good Non Specific: Not L | .2      |       | RD       |

A minimum set of parameters needs a configuration to allow the HI302 to work properly. Most of the parameters have standard values that are suitable for many operation cases. Thus, it is not necessary to download them. However, a comprehensive analysis must be done in order to determine the best profile for each device configuration. The HI302 offers several resources that must be understood. The parameters that require configuration to work are the following:

**MODE\_BLK:** Should be set on **AUTO**. If it is in OS, the communication with the respective device is interrupted. When the block is set on OS, it returns to the initial Identification state. When it is set on AUTO, all the update and identification processes are repeated.

**HART\_CHANNEL:** Indicates the channel on which the device is installed, from 1 to 8. In normal operation, any change in this parameter will stop the HART communication. See the HCFG.COMM\_ENABLE parameter.

**POLL\_ADDR:** Indicates the polling address that has been configured in the device, from 0 to 15. This address is used to recognize the device if the command 0 has been selected in the ID\_CMD parameter.

**IMPORTANT**

If the HART communication is enabled and this parameter has been written, the HI302 will accept the writing in the HART device and will generate a writing transaction. To change this value, without doing it in the device, write *DISABLED* in the HCFG.COMM\_ENABLE parameter or set the block on OS.

**HART\_TAG:** the HART device's tag that can be configured by the HI302 module or by a portable configurator. It supports 8 characters and is used by the command 11 to identify the device. The same POLL\_ADDR writing observation mentioned above, applies here.

**ID\_CMD:** This parameter indicates to the module which universal command identification (0, or 11) will be used to identify the device. The standard value is 0:

- The command 0 uses the “polling address” (POLL\_ADDR) and is the most used command.
- The command 11 uses an 8-character tag and can be used provided the device has a tag configured in the block through the HART\_TAG parameter. This option is indicated when there are equipments in multidrop.

#### IMPORTANT

The identification using TAG is very useful when the device is operating in the multidrop mode and the analog signal is enabled, ranging from 4 mA to 20 mA. In this case, the polling address for all devices in the channel should be 0 making the identification impossible through the command 0.

#### IMPORTANT

If the command 0 is selected, the HI302 will find the device by scanning the polling address from 0 to 15. This is a useful function if the user does not know the device's polling address and its Tag because it identifies the device automatically. This function must not be used in multidrop topologies for obvious reasons.

**POLL\_CTRL:** Indicates if the HI302 will keep polling the device

#### IMPORTANT

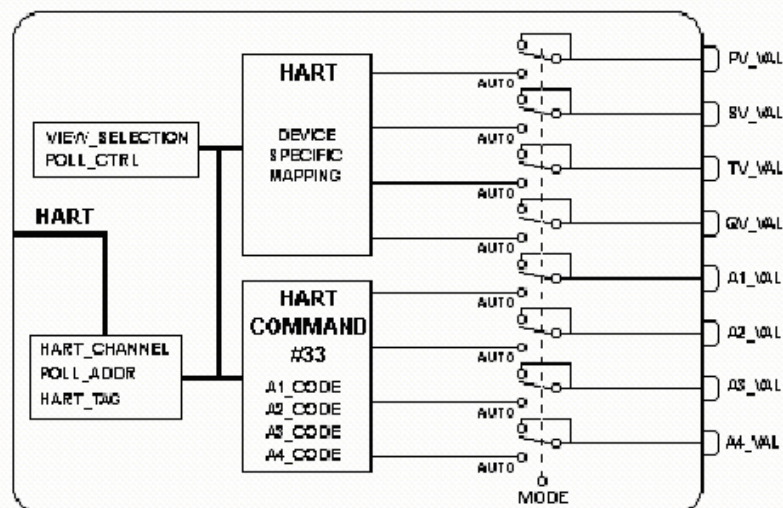
The HI302 will poll the device only if the block has performed the initial procedure successfully and reached the UPDATE status. See the BLK\_EXEC\_STATE parameter.

**COMMON\_CMD\_FILTER:** This parameter is a set of filters that prevents a HART command configured and not supported by the device, to be sent. Their elements should be filled in the HCD block with the definition index of the HART command. See the chapter “Example of Configuration” for more details.

**VIEW\_SELECTION:** Allows the user to choose the group of variables to be updated cyclically in the polling, according to the following table:

#### HIRT Block Output Parameters

See in the following picture the HIRT block diagram. It shows the output parameters that can be used in the FF strategy. Although each HIRT block has 8 output parameters, the maximum limit of HI302 external links is 15. This limit applies to all external links between all device blocks, including MAI and MAO, if they are used. This limit is going to be extended in future implementations.



## DYNAMIC VARIABLES POLLING MAP - VIEWS DESCRIPTION

| View number          | 00                 | 01 | 02 | 03 | 04 | 05 | 06 | 07 | 08 | 09 | 10 | 11 | 12 | 13 | 14 | 15 | 16 | 17 | 18 | 19 | 20 | 21 | 22 | 23 | 24 | 25 | 26 | 27 | 28 | 29 |
|----------------------|--------------------|----|----|----|----|----|----|----|----|----|----|----|----|----|----|----|----|----|----|----|----|----|----|----|----|----|----|----|----|----|
| Needs Configuration? | N                  | N  | Y  | Y  | Y  | Y  | Y  | Y  | Y  | Y  | Y  | Y  | Y  | Y  | Y  | Y  | Y  | Y  | Y  | Y  | Y  | Y  | Y  | Y  | Y  | Y  | Y  | Y  | Y  |    |
| Polling cycle ~ [s]  | 2                  | 3  | 2  | 2  | 2  | 3  | 3  | 3  | 4  | 6  | 1  | 2  | 1  | 1  | 1  | 2  | 2  | 2  | 3  | 5  |    |    |    |    |    |    |    |    |    |    |
| Parameter name       | Updated Parameters |    |    |    |    |    |    |    |    |    |    |    |    |    |    |    |    |    |    |    |    |    |    |    |    |    |    |    |    |    |
| COMM_ERR             | X                  | X  | X  | X  | X  | X  | X  | X  | X  | X  | X  | X  | X  | X  | X  | X  | X  | X  | X  | X  | X  | X  | X  | X  | X  | X  | X  | X  | X  |    |
| DEVICE_STATUS        | X                  | X  | X  | X  | X  | X  | X  | X  | X  | X  | X  | X  | X  | X  | X  | X  | X  | X  | X  | X  | X  | X  | X  | X  | X  | X  | X  | X  | X  |    |
| ADDITIONAL_STATUS    | X                  | X  | X  | X  | X  | X  | X  | X  | X  | X  |    |    |    |    |    |    |    |    |    |    |    |    |    |    |    |    |    |    |    |    |
| LOOP_CURRENT         | X                  | X  |    |    |    |    |    |    |    | X  | X  | X  |    |    |    |    |    |    |    | X  |    |    |    |    |    |    |    |    |    |    |
| PV_PERC              | X                  | X  |    |    |    |    |    |    |    | X  | X  | X  |    |    |    |    |    |    |    | X  |    |    |    |    |    |    |    |    |    |    |
| PV_UC                |                    | X  |    |    |    |    |    |    |    | X  | X  |    |    |    |    |    |    |    |    | X  |    |    |    |    |    |    |    |    |    |    |
| PV_VAL               |                    | X  |    |    |    |    |    |    |    | X  | X  |    |    |    |    |    |    |    |    | X  |    |    |    |    |    |    |    |    |    |    |
| SV_UC                |                    | X  |    |    |    |    |    |    |    | X  | X  |    |    |    |    |    |    |    |    | X  |    |    |    |    |    |    |    |    |    |    |
| SV_VAL               |                    | X  |    |    |    |    |    |    |    | X  | X  |    |    |    |    |    |    |    |    | X  |    |    |    |    |    |    |    |    |    |    |
| TV_UC                |                    | X  |    |    |    |    |    |    |    | X  | X  |    |    |    |    |    |    |    |    | X  |    |    |    |    |    |    |    |    |    |    |
| TV_VAL               |                    | X  |    |    |    |    |    |    |    | X  | X  |    |    |    |    |    |    |    |    | X  |    |    |    |    |    |    |    |    |    |    |
| QV_UC                |                    | X  |    |    |    |    |    |    |    | X  | X  |    |    |    |    |    |    |    |    | X  |    |    |    |    |    |    |    |    |    |    |
| QV_VAL               |                    | X  |    |    |    |    |    |    |    | X  | X  |    |    |    |    |    |    |    |    | X  |    |    |    |    |    |    |    |    |    |    |
| A1_UC                |                    |    | X  |    | X  |    | X  | X  | X  |    |    | X  |    |    | X  |    | X  | X  | X  |    |    |    |    |    |    |    |    |    |    |    |
| A1_VAL               |                    |    | X  |    | X  |    | X  | X  | X  |    |    | X  |    |    | X  |    | X  | X  | X  |    |    |    |    |    |    |    |    |    |    |    |
| A2_UC                |                    |    | X  |    | X  |    | X  | X  | X  |    |    | X  |    |    | X  |    | X  | X  | X  |    |    |    |    |    |    |    |    |    |    |    |
| A2_VAL               |                    |    | X  |    | X  |    | X  | X  | X  |    |    | X  |    |    | X  |    | X  | X  | X  |    |    |    |    |    |    |    |    |    |    |    |
| A3_UC                |                    |    | X  |    | X  |    | X  | X  | X  |    |    | X  |    |    | X  |    | X  | X  | X  |    |    |    |    |    |    |    |    |    |    |    |
| A3_VAL               |                    |    | X  |    | X  |    | X  | X  | X  |    |    | X  |    |    | X  |    | X  | X  | X  |    |    |    |    |    |    |    |    |    |    |    |
| A4_UC                |                    |    | X  |    | X  |    | X  | X  | X  |    |    | X  |    |    | X  |    | X  | X  | X  |    |    |    |    |    |    |    |    |    |    |    |
| A4_VAL               |                    |    | X  |    | X  |    | X  | X  | X  |    |    | X  |    |    | X  |    | X  | X  | X  |    |    |    |    |    |    |    |    |    |    |    |
| B1_UC                |                    |    |    | X  | X  | X  |    | X  | X  |    |    |    | X  |    | X  | X  |    | X  | X  |    |    |    |    |    |    |    |    |    |    |    |
| B1_VAL               |                    |    |    | X  | X  | X  |    | X  | X  |    |    |    | X  |    | X  | X  |    | X  | X  |    |    |    |    |    |    |    |    |    |    |    |
| B2_UC                |                    |    |    | X  | X  | X  |    | X  | X  |    |    |    | X  |    | X  | X  |    | X  | X  |    |    |    |    |    |    |    |    |    |    |    |
| B2_VAL               |                    |    |    | X  | X  | X  |    | X  | X  |    |    |    | X  |    | X  | X  |    | X  | X  |    |    |    |    |    |    |    |    |    |    |    |
| B3_UC                |                    |    |    | X  | X  | X  |    | X  | X  |    |    |    | X  |    | X  | X  |    | X  | X  |    |    |    |    |    |    |    |    |    |    |    |
| B3_VAL               |                    |    |    | X  | X  | X  |    | X  | X  |    |    |    | X  |    | X  | X  |    | X  | X  |    |    |    |    |    |    |    |    |    |    |    |
| B4_UC                |                    |    |    | X  | X  | X  |    | X  | X  |    |    |    | X  |    | X  | X  |    | X  | X  |    |    |    |    |    |    |    |    |    |    |    |
| B4_VAL               |                    |    |    | X  | X  | X  |    | X  | X  |    |    |    | X  |    | X  | X  |    | X  | X  |    |    |    |    |    |    |    |    |    |    |    |
| C1_UC                |                    |    |    |    | X  |    | X  | X  | X  | X  |    |    |    |    | X  |    | X  | X  | X  |    |    |    |    |    |    |    |    |    |    |    |
| C1_VAL               |                    |    |    |    | X  |    | X  | X  | X  | X  |    |    |    |    | X  |    | X  | X  | X  |    |    |    |    |    |    |    |    |    |    |    |
| C2_UC                |                    |    |    |    | X  |    | X  | X  | X  | X  |    |    |    |    | X  |    | X  | X  | X  |    |    |    |    |    |    |    |    |    |    |    |
| C2_VAL               |                    |    |    |    | X  |    | X  | X  | X  | X  |    |    |    |    | X  |    | X  | X  | X  |    |    |    |    |    |    |    |    |    |    |    |
| C3_UC                |                    |    |    |    | X  |    | X  | X  | X  | X  |    |    |    |    | X  |    | X  | X  | X  |    |    |    |    |    |    |    |    |    |    |    |
| C3_VAL               |                    |    |    |    | X  |    | X  | X  | X  | X  |    |    |    |    | X  |    | X  | X  | X  |    |    |    |    |    |    |    |    |    |    |    |
| C4_UC                |                    |    |    |    | X  |    | X  | X  | X  | X  |    |    |    |    | X  |    | X  | X  | X  |    |    |    |    |    |    |    |    |    |    |    |
| C4_VAL               |                    |    |    |    | X  |    | X  | X  | X  | X  |    |    |    |    | X  |    | X  | X  | X  |    |    |    |    |    |    |    |    |    |    |    |
| D1_UC                |                    |    |    |    | X  |    | X  | X  | X  | X  |    |    |    |    | X  |    | X  | X  | X  |    |    |    |    |    |    |    |    |    |    |    |
| D1_VAL               |                    |    |    |    | X  |    | X  | X  | X  | X  |    |    |    |    | X  |    | X  | X  | X  |    |    |    |    |    |    |    |    |    |    |    |
| D2_UC                |                    |    |    |    | X  |    | X  | X  | X  | X  |    |    |    |    | X  |    | X  | X  | X  |    |    |    |    |    |    |    |    |    |    |    |
| D2_VAL               |                    |    |    |    | X  |    | X  | X  | X  | X  |    |    |    |    | X  |    | X  | X  | X  |    |    |    |    |    |    |    |    |    |    |    |
| D3_UC                |                    |    |    |    | X  |    | X  | X  | X  | X  |    |    |    |    | X  |    | X  | X  | X  |    |    |    |    |    |    |    |    |    |    |    |
| D3_VAL               |                    |    |    |    | X  |    | X  | X  | X  | X  |    |    |    |    | X  |    | X  | X  | X  |    |    |    |    |    |    |    |    |    |    |    |
| D4_UC                |                    |    |    |    | X  |    | X  | X  | X  | X  |    |    |    |    | X  |    | X  | X  | X  |    |    |    |    |    |    |    |    |    |    |    |
| D4_VAL               |                    |    |    |    | X  |    | X  | X  | X  | X  |    |    |    |    | X  |    | X  | X  | X  |    |    |    |    |    |    |    |    |    |    |    |

**Configuration needed?** : **N** means that no additional configuration must be done in order to read/write the VIEW-related parameters. Otherwise, if **Y**, the corresponding parameters **XX\_CODE** must be set to a proper value in order to tell to HI302 which HART variables are associated with the parameters. This is necessary because HART command 33 is used to read those values and HI302 takes the values stored at XX\_CODE parameters to assembly HART command 33. Check the device's specific documentation to find out the variable codes associated with command 33.

**Poling cycle ~ [s]** : represents the approximate time that each polling cycle will take for that particular VIEW. This time is evaluated as 1 second for each HART transaction (issued command).



## HVT Block

### Configuring the HVT Block

The HVT block can be seen as a complement for the HIRT block. It includes all non-mapped variables in the HIRT block. Therefore, it is not necessary to have all of the parameters configured, except the following:

**MODE\_BLK:** Should be set on **AUTO**. If it is set on OS, the block operation will stop. When the block is set on OS, it returns to the initial Identification state. When the block is set on AUTO, the block identification and the update process is repeated if there is a valid TAG in the DEV\_TAG\_SEL parameter.

**DEV\_TAG\_SEL:** This parameter doesn't need to be configured for the download. It connects the HIRT block to the HVT block temporarily, allowing the HVT block to communicate with the HART device. This connection is made through the HART\_TAG parameter. If the supervisory software has to read the HVT parameters for any device, it should fill the device's HART\_TAG. The HVT block then searches in every HIRT block for a written HART\_TAG in order to make an association with it automatically. Then, it identifies the HART device and the specific command configuration to be used, as long as this configuration is stored in the Flash memory of the HI302 or in any HCD block. See the chapter about Functioning Theory for more details.

### HI302-I - Configuring the MAI block

All HI302-I inputs have an input circuit for the 4-20 mA acquisition. So, it is possible to instantiate a block with a multiple analog input or with 8-output parameters that provide the percentage value of the analog input related to the 16 mA span (4 mA = 0% and 20 mA = 100%). This block needs no configuration to operate.

**MODE\_BLK:** Set on AUTO.

### HI302-O - Configuring the MAO block

The HI302-O has 8 HART channels in parallel to circuits that control the loop current and the actuators connected to them. The input parameter value should always be written in percentage. The following parameters should be configured:

**MODE\_BLK:** Set on AUTO.

There are other configuration options, for example, the output value in case of failure.

## Starting the HI302 Operation

After configuring the block, download it. Upon the download completion, set the HCFG.COMM\_ENABLE parameter on ENABLED to enable the configuration and start the HART communication over all channels.

### IMPORTANT

After the download is completed, the configuration should be saved in the non-volatile memory. Saving is automatic and starts with the download. It will take approximately 20 minutes, according to the configuration size. While the SAVING LED is lit, the HI302 cannot be turned off or reset, otherwise, the configuration will be lost..

If the user has devices whose configuration is already in the HI302 memory, e.g. Smar devices, go to the chapter about operation and functioning theory. In case the user has to set a specific configuration, see the chapter about advanced configuration, first. For more details on how to configure the HI302, visit our site [www.smar.com](http://www.smar.com).

## Calibrating the analog HI302circuits

In order to achieve the most accurate operation of the HI302-I or HI302-O, it is important to calibrate the analog boards. During the factory tests, a preliminary calibration is done, being sufficient for most applications. However, it may be necessary to perform a new calibration in the field. To do so, follow the steps described in the Help of the HCFG.ANALOG\_INPUT\_TRIM or HCFG.ANALOG\_OUTPUT\_CAL parameters. See a summary below.

### Important

When the calibration is done, it is valid for the pair GLL1193+(GLL1205 or GLL1194). If the analog board has been changed for any reason, a new calibration should be done because the calibration data is stored in the base board for that particular analog board (GLL1193).

### Calibration of the HI302-I (GLL1205)

- To calibrate a GLL1205, the user should use an accurate current source and follow the steps below:
1. Apply a 12 mA current (50% of the 16mA span) to each input. The calibration can be done in only one channel or in all of the 8 channels at once.
  2. After stabilizing the current, write the number of the desired channel on the HCFG.ANALOG\_INPUT\_TRIM parameter or write All Channels to calibrate all of them at once.
  3. Check, in the MAI block, if the value of the current is 50%. If the reading, in any channel, is incorrect, re-do the procedures.
  4. If the reading in the 8 channels is 50%, write on the HCFG.ANALOG\_INPUT\_TRIM parameter the Trimmed and Checked value in order to save the calibration data.
  5. Wait until the SAVING Led turns off and then, turn off the device.

The accuracy of the HI302-I analog input is approximately 0.15% of the span for all the operation temperature range (0 to 50°C). During operation, for the temperatures around the calibration one ( $\pm 2$  °C), the accuracy can reach approximately 0.05%.

### Calibration of the HI302-O (GLL1194)

The user should use an accurate multimeter to calibrate the GLL1194. Follow the steps below:

1. Write 50% on all of the input parameters of the MAO block.
2. Measure the current in each loop using the multimeter. Write each read value on the corresponding element of the HCFG.ANALOG\_OUTPUT\_CAL[channel] parameter. Write all of the numbers displayed on the multimeter to maximum accuracy.
3. Measure the current again and check if its value has changed, that is, approximately 12 mA.
4. In case the current has changed, write on the HCFG.ANALOG\_INPUT\_TRIM parameter the Trimmed and Checked value to save the calibration data.

The accuracy of the HI302-O analog output is approximately 0.5% of the span for all of the operation temperature range (0 to 50°C). During operation, for the temperatures around the calibration one ( $\pm 2$  °C), the accuracy can reach approximately 0.1%.

## HIRT - HART IDENTIFICATION INFORMATION AND REAL TIME DATA

### Parameters

| Idx | Parameter       | Data Type         | Valid Range / Options                           | Default Value       | Units | Store/ Mode | Description  | HART Read | Hart Write |
|-----|-----------------|-------------------|---|---------------------|-------|-------------|--|-----------|------------|
| 0   | BLOCK_STRUCTURE | DS-64             |   |                     | NA    | S           |  |           |            |
| 1   | ST_REV          | Unsigned16        |   | 0                   | None  | S / RO      |  |           |            |
| 2   | TAG_DESC        | OctString(32)     |   | Spaces              | NA    | S           |  |           |            |
| 3   | STRATEGY        | Unsigned16        |   | 0                   | None  | S           |  |           |            |
| 4   | ALERT_KEY       | Unsigned8         | 1 to 255  | 0                   | None  | S           |  |           |            |
| 5   | MODE_BLK        | DS-69             |   | O/S                 | NA    | S           | See Mode Parameter   |           |            |
| 6   | BLK_ERR         | Bitstring(2)      |   |                     | None  | D / RO      |  |           |            |
| 7   | HART_CHANNEL    | Unsigned8         | 1 to 8  | 1                   | None  | S           | HART channel where the device is attached to.  |           |            |
| 8   | ID_CMD          | Enumerated        | 0: 0 - Polling Address<br>11: 11 - HART Tag     | 0 - Polling Address | None  | S           | Selects the HART Universal Command used to identify the device associated with this block.   |           |            |
| 9   | ID_METHOD       | Boolean           | 0x00: Automatic<br>0x01: Manual                 | Automatic           | None  | S           | If <b>Automatic</b> , HI302 will try to (re)identify the device by scanning throughout the polling address range. Also, if the device stops to respond, HI302 will periodically send a request trying to reconnect. If <b>Manual</b> , such operations must be done by changing MODE_BLK from OOS to AUTO. |           |            |
| 10  | POLL_ADDR       | Unsigned8         | 0 to 15   | 0                   | None  | S           | Device's Polling (short Address).  | 7         | 6          |
| 11  | HART_TAG        | VisibleString (8) |   | Spaces              | NA    | S           | Device's TAG.  | 13        | 18         |
| 12  | POLL_CTRL       | Boolean           | 0x01: Polling Enabled<br>0x00: Polling Disabled | Polling Enabled     | NA    | S           | Real Time Data Polling Control.  |           |            |

| Idx | Parameter         | Data Type    | Valid Range / Options   | Default Value  | Units | Store/ Mode | Description   | HART Read | Hart Write |
|-----|-------------------|--------------|---|----------------|-------|-------------|---|-----------|------------|
| 13  | VIEW_SELECTION    | Enumerated   | 0x00: VIEW_00,<br>0x01: VIEW_01<br><br>0x02: VIEW_02,<br>0x03: VIEW_03<br><br>0x04: VIEW_04,<br>0x05: VIEW_05<br><br>0x06: VIEW_06,<br>0x07: VIEW_07<br><br>0x08: VIEW_08,<br>0x09: VIEW_09<br><br>0x0A: VIEW_10,<br>0x0B: VIEW_11<br><br>0x0C: VIEW_12,<br>0x0D: VIEW_13<br><br>0x0E: VIEW_14,<br>0x0F: VIEW_15<br><br>0x10: VIEW_16,<br>0x11: VIEW_17<br><br>0x12: VIEW_18,<br>0x13: VIEW_19<br><br>0x14: VIEW_20,<br>0x15: VIEW_21<br><br>0x16: VIEW_22,<br>0x17: VIEW_23<br><br>0x18: VIEW_24,<br>0x19: VIEW_25<br><br>0x1A: VIEW_26,<br>0x1B: VIEW_27<br><br>0x1C: VIEW_28,<br>0x1D: VIEW_29 | VIEW_00        | None  | S           | Selects the set of parameters to be updated at each polling cycle. See HI302's user manual for further information about each VIEW.                                       |           |            |
| 14  | COMMON_CMD_FILTER | Unsigned8[5] |   | 0              | None  | S           | This parameter has 5 positions to ignore commands present in configuration but not supported by the device. See HI302's User Manual for a complete list of that commands. |           |            |
| 15  | BLK_EXEC_STATE    | Enumerated   | 0x00: Identification<br>0x01: Old Data<br>0x02: Updating<br>0x03: Updated<br>0x04: Partially Updated<br>0x05: Not Responding<br>0x06: Bypass<br>0x07: Device Not Found<br>0x08: HCD Error<br>0x09: TAG Not Found<br>0x0A: Writing   | Identification | None  | D / RO      | Status of parameter update information and HART communication. Normal condition is UPDATED.   |           |            |

| Idx | Parameter         | Data Type    | Valid Range / Options  | Default Value | Units | Store/ Mode | Description   | HART Read | Hart Write |
|-----|-------------------|--------------|--|---------------|-------|-------------|---|-----------|------------|
| 16  | COMM_ERR          | BitString(8) | <b>0x00:</b> No Comm Error<br><b>0x01:</b> Undefined<br><b>0x02:</b> Buffer Overflow<br><b>0x04:</b> Reserved<br><b>0x08:</b> Longitudinal Parity Error<br><b>0x10:</b> Framing Error<br><b>0x20 :</b> Overrun Error<br><b>0x40:</b> Vertical Parity Error<br><b>0x80:</b> Comm Error                              | No Comm Error | None  | D / RO      | First byte of the last transaction's Response Code if communication error has occurred (Bit7 = 1).                      | All       | All        |
| 17  | DEVICE_STATUS     | BitString(8) | <b>0x01: Primary Variable Out of Limits</b><br><b>0x02: Non-Primary Variable Out of Limits</b><br><b>0x04: Loop Current Saturated</b><br><b>0x08: Loop Current Fixed</b><br><b>0x10: More Status Available</b><br><b>0x20: Cold Start</b><br><b>0x40: Configuration Changed</b><br><b>0x80: Device Malfunction</b> | 0             | NA    | D / RO      | Second byte of the last transaction's Response Code. See HI302's User Manual or HART specification for further details. | All       | All        |
| 18  | ADDITIONAL_STATUS | OctString(6) |  | 0             | NA    | D / RO      | Cyclic read depends on chosen VIEW. Device specific Additional Status. See device's specific documentation for details. | 48        |            |
| 19  | MAN_ID            | Enumerated   | HC TABLE 8   | 0             | None  | D / RO      | Manufacturer ID Code. Used to select specific configuration for HVT block.  | (0, 11)   |            |
| 20  | DEV_TYPE          | Unsigned8    |  | 0             | None  | D / RO      | Manufacturer Device Type Code. Used to select specific configuration for HVT block.                                     | (0, 11)   |            |
| 21  | UNI_REV           | Unsigned8    |  | 0             | None  | D / RO      | Revision Level of the HART Universal Commands. Used to select specific configuration for HVT block.                     | (0, 11)   |            |
| 22  | SPEC_REV          | Unsigned8    |  | 0             | None  | D / RO      | Revision Level of the Device Specific. Used to select specific configuration for HVT block.                             | (0, 11)   |            |

| Idx | Parameter      | Data Type         | Valid Range / Options  | Default Value        | Units     | Store/ Mode | Description   | HART Read | Hart Write |
|-----|----------------|-------------------|------------------------|----------------------|-----------|-------------|---|-----------|------------|
| 23  | SW_REV         | Unsigned8         |                        | 0                    | None      | D / RO      | Software Revision Level. Used to select specific configuration for HVT block.   | (0, 11)   |            |
| 24  | HRDW_REV       | Unsigned8         |                        | 0                    | None      | D / RO      | Hardware Revision Level.  | (0, 11)   |            |
| 25  | FLAGS          | BitString(8)      | HC TABLE 11            | 0                    | NA        | D / RO      | Flags (manufacturer specific).  | (0, 11)   |            |
| 26  | DEV_ID         | OctString(3)      |                        | 0                    | NA        | D / RO      | Device ID Number.   | (0, 11)   |            |
| 27  | LOOP_CURRENT   | DS-65             |                        | 0                    | mA        | D           | Cyclic read depends on chosen VIEW. Loop Current Value (milliamps). LOOP_CURRENT.VALUE: loop mA last value, LOOP_CURRENT.STATUS: HART Response Code converted to FF status. See HI302's User Manual for further details.      | 2         |            |
| 28  | LOOP_TEST      | Float             |                        | 0                    | mA        | D           | Write the desired current value in mA to enter fixed current mode. Write 0 to exit fixed current mode.  |           | 40         |
| 29  | LOOP_CMODE     | Enumerated        | HC TABLE 16            | 0                    | None      | D           | Loop Current Mode. See device's specific documentation.   | 7         | 6          |
| 30  | MESSAGE        | VisibleString(32) |                        | Spaces               | NA        | D           | Message for general purpose.  | 12        | 17         |
| 31  | DESCRIPTOR     | VisibleString(16) |                        | Spaces               | NA        | D           | Descriptor, text for general purpose.   | 13        | 18         |
| 32  | DATE_INFO      | Date              |                        | 1/1/2001 00:00:00:00 | NA        | D           | Date (Only Day/Month/Year are considered).  | 13        | 18         |
| 33  | WRITE_PCODE    | Enumerated        | HC TABLE 7             | 0                    | None      | D / RO      | Write Protect Code. See device's specific documentation.  | 15        |            |
| 34  | PLDC           | Enumerated        | HC TABLE 8             | 0                    | None      | D / RO      | Private Label Distributor Code.   | 15        |            |
| 35  | PV_ACF         | Enumerated        | HC TABLE 26            | 0                    | None      | D / RO      | PV Analog Channel Flags. See device's specific documentation.   | 15        |            |
| 36  | FAN            | OctString(3)      |                        | 0                    | NA        | D           | Final Assembly Number.  | 16        | 19         |
| 37  | DEV_TEST       | Enumerated        | 0x00: Invoke Self Test | 0                    | None      | D           | Write to perform a device self test.  |           | 41         |
| 38  | DEV_RESET      | Unsigned8         | 0x00: Reset Device     | 0                    | None      | D           | Write to perform a device Master RESET.   |           | 42         |
| 39  | BURST_MODE     | Enumerated        | HC TABLE 9             | 0                    | None      | D           | It allows to control device's Burst Mode  |           | 109        |
| 40  | PV_ULRUC       | Enumerated        | HC TABLE 2             | 0                    | None      | D           | PV Upper & Lower Range Value Units Code   | 15        | 35         |
| 41  | PV_RANGE       | DS-68             |                        | {0, 0, 0, 0}         | XD_SCAL E | D           | PV_RANGE.EU_100: HART PV Upper Range Value,<br>PV_RANGE.EU_0: HART PV Lower Range Value,<br>PV_RANGE_UNITS_IN_DEX: HART PV Range (Upper & Lower) Value Units Code translated to Fieldbus table,<br>PV_RANGE.DECIMAL: no mean. | 15        | 35, 44     |
| 42  | PV_CAL_POINT_L | Enumerated        | 0x00: Set PV Zero      | 0                    | None      | D           | Write to this parameter to set PV Zero (invoke HART Command 43).  |           | 43         |

| Idx | Parameter       | Data Type    | Valid Range / Options | Default Value | Units    | Store/ Mode | Description  | HART Read | Hart Write |
|-----|-----------------|--------------|-----------------------|---------------|----------|-------------|--|-----------|------------|
| 43  | PV_SENSOR_SN    | OctString(3) |                       | 0             | NA       | D           | PV Sensor Serial Number.   | 14        | 49         |
| 44  | PV_SENSOR_LMSUC | Enumerated   | HC_TABLE 2            | 0             | None     | D / O       | PV Sensor Limits and Minimum Span Units Code.  | 14        |            |
| 45  | PV_SENSOR_MSPAN | Float        |                       | 0             | 49       | D / RO      | PV Minimum Span.   | 14        |            |
| 46  | PV_SENSOR_RANGE | DS-68        |                       | {0, 0, 0, 0}  | XD_SCALE | D / RO      | <b>PV_SENSOR_RANGE.EU_100:</b> PV Upper Sensor Limit,<br><b>PV_SENSOR_RANGE.EU_0:</b> PV Lower Sensor Limit.<br><b>PV_SENSOR_RANGE.UNITS_INDEX:</b> PV Sensor limits and Minimum Span Units Code translated to Fieldbus table.<br><b>PV_SENSOR_RANGE.DECIMAL:</b> no mean. | 14        |            |
| 47  | PV_ASC          | Enumerated   | HC TABLE 6            | 0             | None     | D / RO      | PV Alarm Select code.  | 15        |            |
| 48  | PV_TFC          | Enumerated   | HC TABLE 3            | 0             | None     | D           | PV Transfer Function Code.   | 15        | 47         |
| 49  | PV_DV           | Float        |                       | 0             | s        | D           | PV Damping Value.  | 15        | 34         |
| 50  | PV_PERC         | DS-65        |                       | 0             | %        | D / RO      | <b>Cyclic read depends on chosen VIEW. PV Percent of Range.</b><br><b>PV_PERC.VALUE:</b> the percentual Pv value,<br><b>PV_PERC.Status:</b> HART Response Code converted to FF status.   | 2         |            |
| 51  | PV_UC           | Enumerated   | HC TABLE 2            | 0             | None     | D           | PV Units Code.   | 15        | 44         |
| 52  | PV_VAL          | DS-65        |                       | 0             | PV_UC    | D / RO      | <b>Cyclic read depends on chosen VIEW.</b><br><b>PV_VAL.Value :</b> actual PV value in engineering units,<br><b>PV_VAL.Status:</b> HART Response Code converted to FF status.  | 3         |            |
| 53  | SV_UC           | Enumerated   | HC TABLE 2            | 0             | None     | D / RO      | SV Units Code.   | 3         |            |
| 54  | SV_VAL          | DS-65        |                       | 0             | SV_UC    | D / RO      | <b>Cyclic read depends on chosen VIEW.</b><br><b>SV_VAL.Value:</b> SV actual value,<br><b>SV_VAL.Status:</b> HART Response Code converted to FF status.  | 3         |            |
| 55  | TV_UC           | Enumerated   | HC TABLE 2            | 0             | None     | D / RO      | TV Units Code.   | 3         |            |
| 56  | TV_VAL          | DS-65        |                       | 0             | TV_UC    | D / RO      | <b>Cyclic read depends on chosen VIEW.</b><br><b>TV_VAL.Value:</b> TV actual value,<br><b>TV_VAL.Status:</b> HART Response Code converted to FF status.  | 3         |            |
| 57  | QV_UC           | Enumerated   | HC TABLE 2            | 0             | None     | D / RO      | QV Units Code.   | 3         |            |
| 58  | QV_VAL          | DS-65        |                       | 0             | QV_UC    | D / RO      | <b>Cyclic read depends on chosen VIEW.</b><br><b>QV_VAL.Value:</b> TV actual value,<br><b>QV_VAL.Status:</b> HART Response Code converted to FF status.  | 3         |            |
| 59  | A1_CODE         | Unsigned8    |                       | 0             | None     | S           | <b>Selects variable to appear on A1_VAL</b>  | 33        |            |
| 60  | A1_UC           | Enumerated   | HC TABLE 2            | 0             | None     | D / RO      | A1 variable Units Code.  | 33        |            |

| Idx | Parameter | Data Type  | Valid Range / Options | Default Value | Units | Store/ Mode | Description   | HART Read | Hart Write |
|-----|-----------|------------|-----------------------|---------------|-------|-------------|---|-----------|------------|
| 61  | A1_VAL    | DS-65      |                       | 0             | S0_UC | D / RO      | <b>OUTPUT PARAMETER.</b><br>Cyclic read depends on chosen VIEW and A1_CODE. | 33        |            |
| 62  | A2_CODE   | Unsigned8  |                       | 0             | None  | S           | Selects variable to appear on A2_VAL  | 33        |            |
| 63  | A2_UC     | Enumerated | HC TABLE 2            | 0             | None  | D / RO      | A2 variable Units Code.   | 33        |            |
| 64  | A2_VAL    | DS-65      |                       | 0             | S1_UC | D / RO      | <b>Cyclic read depends on chosen VIEW and A2_CODE.</b>                      | 33        |            |
| 65  | A3_CODE   | Unsigned8  |                       | 0             | None  | S           | Selects variable to appear on A3_VAL  | 33        |            |
| 66  | A3_UC     | Enumerated | HC TABLE 2            | 0             | None  | D / RO      | A3 variable Units Code.   | 33        |            |
| 67  | A3_VAL    | DS-65      |                       | 0             | S2_UC | D / RO      | <b>Cyclic read depends on chosen VIEW and A3_CODE.</b>                      | 33        |            |
| 68  | A4_CODE   | Unsigned8  |                       | 0             | None  | S           | Selects variable to appear on A4_VAL  | 33        |            |
| 69  | A4_UC     | Enumerated | HC TABLE 2            | 0             | None  | D / RO      | A4 variable Units Code.   | 33        |            |
| 70  | A4_VAL    | DS-65      |                       | 0             | S3_UC | D / RO      | <b>Cyclic read depends on chosen VIEW and A4_CODE.</b>                      | 33        |            |
| 71  | B1_CODE   | Unsigned8  |                       | 0             | None  | S           | Selects variable to appear on B1_VAL  | 33        |            |
| 72  | B1_UC     | Enumerated | HC TABLE 2            | 0             | None  | D / RO      | B1 variable Units Code.   | 33        |            |
| 73  | B1_VAL    | DS-65      |                       | 0             | S0_UC | D / RO      | <b>Cyclic read depends on chosen VIEW and B1_CODE.</b>                      | 33        |            |
| 74  | B2_CODE   | Unsigned8  |                       | 0             | None  | S           | Selects variable to appear on B2_VAL  | 33        |            |
| 75  | B2_UC     | Enumerated | HC TABLE 2            | 0             | None  | D / RO      | B2 variable Units Code.   | 33        |            |
| 76  | B2_VAL    | DS-65      |                       | 0             | S1_UC | D / RO      | <b>Cyclic read depends on chosen VIEW and B2_CODE.</b>                      | 33        |            |
| 77  | B3_CODE   | Unsigned8  |                       | 0             | None  | S           | Selects variable to appear on B3_VAL  | 33        |            |
| 78  | B3_UC     | Enumerated | HC TABLE 2            | 0             | None  | D           | B3 variable Units Code.   | 33        |            |
| 79  | B3_VAL    | DS-65      |                       | 0             | S2_UC | D / RO      | <b>Cyclic read depends on chosen VIEW and B3_CODE.</b>                      | 33        |            |
| 80  | B4_CODE   | Unsigned8  |                       | 0             | None  | S           | Selects variable to appear on B4_VAL  | 33        |            |
| 81  | B4_UC     | Enumerated | HC TABLE 2            | 0             | None  | D / RO      | B4 variable Units Code.   | 33        |            |
| 82  | B4_VAL    | DS-65      |                       | 0             | S3_UC | D / RO      | <b>Cyclic read depends on chosen VIEW and B4_CODE.</b>                      | 33        |            |
| 83  | C1_CODE   | Unsigned8  |                       | 0             | None  | S           | Selects variable to appear on C1_VAL  | 33        |            |
| 84  | C1_UC     | Enumerated | HC TABLE 2            | 0             | None  | D / RO      | C1 variable Units Code.   | 33        |            |
| 85  | C1_VAL    | DS-65      |                       | 0             | S0_UC | D / RO      | <b>Cyclic read depends on chosen VIEW and C1_CODE.</b>                      | 33        |            |
| 86  | C2_CODE   | Unsigned8  |                       | 0             | None  | S           | Selects variable to appear on C2_VAL  | 33        |            |
| 87  | C2_UC     | Enumerated | HC TABLE 2            | 0             | None  | D / RO      | C2 variable Units Code.   | 33        |            |
| 88  | C2_VAL    | DS-65      |                       | 0             | S1_UC | D / RO      | <b>Cyclic read depends on chosen VIEW and C2_CODE.</b>                      | 33        |            |
| 89  | C3_CODE   | Unsigned8  |                       | 0             | None  | S           | Selects variable to appear on C3_VAL  | 33        |            |
| 90  | C3_UC     | Enumerated | HC TABLE 2            | 0             | None  | D / RO      | C3 variable Units Code.   | 33        |            |
| 91  | C3_VAL    | DS-65      |                       | 0             | S2_UC | D / RO      | <b>Cyclic read depends on chosen VIEW and C3_CODE.</b>                      | 33        |            |
| 92  | C4_CODE   | Unsigned8  |                       | 0             | None  | S           | Selects variable to appear on C4_VAL  | 33        |            |
| 93  | C4_UC     | Enumerated | HC TABLE 2            | 0             | None  | D / RO      | C4 variable Units Code.   | 33        |            |



| Idx | Parameter  | Data Type  | Valid Range / Options | Default Value | Units | Store/ Mode | Description  | HART Read | Hart Write |
|-----|------------|------------|-----------------------|---------------|-------|-------------|--|-----------|------------|
| 94  | C4_VAL     | DS-65      |                       | 0             | S3_UC | D / RO      | <b>Cyclic read depends on chosen VIEW and C4_CODE.</b>   | 33        |            |
| 95  | D1_CODE    | Unsigned8  |                       | 0             | None  | S           | Selects variable to appear on D1_VAL   | 33        |            |
| 96  | D1_UC      | Enumerated | HC TABLE 2            | 0             | None  | D / RO      | D1 variable Units Code.  | 33        |            |
| 97  | D1_VAL     | DS-65      |                       | 0             | S0_UC | D / RO      | <b>Cyclic read depends on chosen VIEW and D1_CODE.</b>   | 33        |            |
| 98  | D2_CODE    | Unsigned8  |                       | 0             | None  | S           | Selects variable to appear on D2_VAL   | 33        |            |
| 99  | D2_UC      | Enumerated | HC TABLE 2            | 0             | None  | D / RO      | D2 variable Units Code.  | 33        |            |
| 100 | D2_VAL     | DS-65      |                       | 0             | S1_UC | D / RO      | <b>Cyclic read depends on chosen VIEW and D2_CODE.</b>   | 33        |            |
| 101 | D3_CODE    | Unsigned8  |                       | 0             | None  | S           | Selects variable to appear on D3_VAL   | 33        |            |
| 102 | D3_UC      | Enumerated | HC TABLE 2            | 0             | None  | D / RO      | D3 variable Units Code.  | 33        |            |
| 103 | D3_VAL     | DS-65      |                       | 0             | S2_UC | D / RO      | <b>Cyclic read depends on chosen VIEW and D3_CODE.</b>   | 33        |            |
| 104 | D4_CODE    | Unsigned8  |                       | 0             | None  | S           | Selects variable to appear on D4_VAL   | 33        |            |
| 105 | D4_UC      | Enumerated | HC TABLE 2            | 0             | None  | D / RO      | D4 variable Units Code.  | 33        |            |
| 106 | D4_VAL     | DS-65      |                       | 0             | S3_UC | D / RO      | <b>Cyclic read depends on chosen VIEW and D4_CODE.</b>   | 33        |            |
| 107 | UPDATE_EVT | DS-73      |                       |               | NA    | D           | This alert is generated by any change to the static data.  |           |            |
| 108 | BLK_ALM    | DS-72      |                       |               | NA    | D           | The block alarm is used for all configuration, hardware, connection failure or system problems in the block. The cause of the alert is entered in the subcode field. The first alert to become active will set the Active status in the Status attribute. As soon as the Unreported status is cleared by the alert reporting task, another block alert may be reported without clearing the Active status, if the subcode has changed. |           |            |

Legend: E – Enumerated parameter; Na – Adimensional parameter; RO – Read only; D – dynamic; N – non-volatile; S – Static

Gray Background Line: Default Parameters of Syscon

## HCFG - HART Configuration Transducer Block

## Parameters

| Idx | Parameter           | Data Type         | Valid Range / Options  | Default Value    | Units | Store / Mode | Description   |
|-----|---------------------|-------------------|--|------------------|-------|--------------|---|
| 0   | BLOCK_STRUCTURE     | DS-64             |  |                  | NA    | S            |   |
| 1   | ST_REV              | Unsigned16        |  | 0                | None  | S / RO       |   |
| 2   | TAG_DESC            | OctString(32)     |  | Spaces           | NA    | S            |   |
| 3   | STRATEGY            | Unsigned16        |  | 0                | None  | S            |   |
| 4   | ALERT_KEY           | Unsigned8         | 1 to 255   | 0                | None  | S            |   |
| 5   | MODE_BLK            | DS-69             |  | O/S              | NA    | S            | See Mode Parameter  |
| 6   | BLK_ERR             | Bitstring(2)      |  |                  | None  | D / RO       |   |
| 7   | FIRMWARE_VERSION    | VisibleString(32) |  | 0                | NA    | D / RO       | Useful for information and diagnostic purposes.   |
| 8   | COMM_BEHAVIOR       | Enumerated        | <b>0x00:</b> Autonomous<br><b>0x01:</b> Bypass                         | Autonomous       | NA    | S            | Autonomous means the normal behavior where the database is built automatically. If set to Bypass the device depends on external applications to send HART commands and the block HBC must be used.  |
| 9   | COMM_ENABLE         | Enumerated        | <b>0x01</b> Enabled<br><b>0x00:</b> Disabled                           | Disabled         | NA    | S            | After a download or if a channel has been changed in a HIRT block, this parameter will be set to Disabled automatically. Set it to Enabled to start HART communication. <b>Caution: this parameter must not be saved OFF LINE and downloaded. It must always be written in ON LINE mode only!</b> |
| 10  | CHANNEL_ACTIVE      | Enumerated[8]     | <b>0x00:</b> No<br><b>0x01:</b> 1<br><b>0x02:</b> 2<br><b>0x0F:</b> 15 | No               | NA    | D / RO       | This parameter shows how many HIRT blocks have been configured to use the corresponding channel. If no block is using the channel, it will remain deactivated.  |
| 11  | COMM_ERRORS         | Float[8]          |  | 0                | %     | D / RO       | Shows the percentual of communication errors. Up to 0.5% is acceptable for more than 10k requests.  |
| 12  | MASTER_TYPE         | Enumerated[8]     | <b>0x01:</b> Primary<br><b>0x00:</b> Secondary                         | Primary          | NA    | S            | HART Master Type, normally Primary.   |
| 13  | RETRIES             | Unsigned8[8]      | 3 to 10  | 3                | None  | S            | Number of retries if slave does not respond before slave timeout or if any error is received. Increase the number to make the communication more reliable in noisy environments.  |
| 14  | MASTER_SYNCHRONIZED | Boolean[8]        | <b>0x01:</b> Synchronized<br><b>0x00:</b> Not synchronized             | Not synchronized | NA    | D / RO       | <b>FACTORY USE</b> - Synchronized means normal operation.   |
| 15  | CHANNEL_MODE        | Enumerated[8]     | <b>0x00:</b> Normal<br><b>0x01:</b> Burst Mode                         | Normal           | None  | D / RO       | <b>FACTORY USE</b> - This parameter shows if any burst mode device was detected on the respective channel.  |
| 16  | MASTER_STATE        | Enumerated[8]     | <b>0x00:</b> Watching<br><b>0x01:</b> Enabled<br><b>0x02:</b> Using    | Watching         | None  | D / RO       | <b>FACTORY USE</b> - It's the Master State Machine behavior at each moment.   |
| 17  | REQUEST_COUNTER     | Unsigned32[8]     |  | 0                | None  | D / RO       | <b>FACTORY USE</b> - Counts the number of requests made to all devices on that channel.   |
| 18  | RETRIES_COUNTER     | Unsigned32[8]     |  | 0                | None  | D / RO       | <b>FACTORY USE</b> - Counts the number of retries to all devices on each channel.   |
| 19  | INVALID_SOM         | Unsigned32[8]     |  | 0                | None  | D / RO       | <b>FACTORY USE</b> - Counts the number of invalid Start Of Messages captured in that channel.   |
| 20  | INVALID_RX_FRAMES   | Unsigned32[8]     |  | 0                | None  | D / RO       | <b>FACTORY USE</b> - It totalizes the number of INVALID frames received by each channel, whichever the error.   |
| 21  | VALID_RX_FRAMES     | Unsigned32[8]     |  | 0                | None  | D / RO       | <b>FACTORY USE</b> - It totalizes the number of VALID frames received by each channel.  |

| Idx | Parameter         | Data Type  | Valid Range / Options  | Default Value | Units | Store / Mode | Description   |
|-----|-------------------|------------|--|---------------|-------|--------------|---|
| 22  | ANALOG_INPUT_TRIM | Enumerated | 0x00: Channel 1,<br>0x01: Channel 2,<br>0x02: Channel 3,<br>0x03: Channel 4,<br>0x04: Channel 5,<br>0x05: Channel 6,<br>0x06: Channel 7,<br>0x07: Channel 8,<br>0x08: All Channels,<br>0x09: Not Trimmed,<br>0x0A: Trimmed and Checked | Not Trimmed   | NA    | S            | <b>FACTORY USE</b> - Used to calibrate the analog inputs when applicable. Apply a stable signal of 12 mA (+/- 0.005 mA) to the channel (or to all channels at once) and write to this parameter accordingly to the channel you want to calibrate (or All Channels if you want to calibrate all at once). <b><u>After calibrate and test write this parameter to Trimmed and Checked to save the data.</u></b>   |
| 23  | ANALOG_OUTPUT_CAL | Float[8]   |  | 1.00          | mA    | S            | <b>FACTORY USE</b> - This array is used to calibrate the analog outputs when applicable. Using a precision milliampmeter (+/- 1uA) put all outputs in 50% by actuating in MAO block. Using the value the meter is reading, write it in the correspondig element of this array, always with at least 2 decimal, in mA (should be ~ 12 mA). After written the value look at the meter again and confirm the reading now is 12.0 mA. <b><u>After calibrate and test write ANALOG INPUT TRIM parameter to Trimmed and Checked to save the calibration data.</u></b> |
| 24  | UPDATE_EVT        | DS-73      |  |               | NA    | D            | This alert is generated by any change to the static data.   |
| 25  | BLK_ALM           | DS-72      |  |               | NA    | D            | The block alarm is used for all configuration, hardware, connection failure or system problems in the block. The cause of the alert is entered in the subcode field. The first alert to become active will set the Active status in the Status attribute. As soon as the Unreported status is cleared by the alert reporting task, another block alert may be reported without clearing the Active status, if the subcode has changed.  |

**Legend:** E – Enumerated parameter; Na – Admensional parameter; RO – Read only; D – dynamic; N – non-volatile; S – Static

**Gray Background Line: Default Parameters of Syscon**

## HVT - HART VARIABLE TEMPLATE

## Parameters

| Idx | Parameter       | Data Type         | Valid Range / Options  | Default Value | Units | Store / Mode | Description  |
|-----|-----------------|-------------------|--|---------------|-------|--------------|--|
| 0   | BLOCK_STRUCTURE | DS-64             |  |               | NA    | S            |  |
| 1   | ST_REV          | Unsigned16        |  | 0             | None  | S / RO       |  |
| 2   | TAG_DESC        | OctString(32)     |  | Spaces        | NA    | S            |  |
| 3   | STRATEGY        | Unsigned16        |  | 0             | None  | S            |  |
| 4   | ALERT_KEY       | Unsigned8         | 1 to 255   | 0             | None  | S            |  |
| 5   | MODE_BLK        | DS-69             |  | O/S           | NA    | S            | See Mode Parameter   |
| 6   | BLK_ERR         | Bitstring(2)      |  |               | None  | D / RO       |  |
| 7   | DEV_TAG_SEL     | VisibleString(8)  |  | Spaces        | NA    | S            | Write here a valid HIRT.HART_TAG from an installed device to start HVT on demand reading.  |
| 8   | HCD_SELECTED    | OctString(5)      |  | 0             | None  | D / RO       | This code is used to identify the specific configuration associated with the chosen device. This code is read from HIRT block and is a combination of MAN_ID, DEV_TYPE, UNI_REV, SPEC_REV, SW_REV. |
| 9   | HCD_DEVICE_INFO | VisibleString(32) |  | Spaces        | NA    | D / RO       | This parameter shows comment related to selected specific configuration.   |
| 10  | BLK_EXEC_STATE  | Unsigned8         | <b>0x00:</b> Identification<br><b>0x01:</b> Old Data<br><b>0x02:</b> Updating<br><b>0x03:</b> Updated<br><b>0x04:</b> Partially Updated<br><b>0x05:</b> Not Responding<br><b>0x06:</b> Bypass<br><b>0x07:</b> Device Not Found<br><b>0x08:</b> HCD Error<br><b>0x09:</b> TAG Not Found<br><b>0x0A:</b> Writing | 0             | None  | D / RO       | Reflects the execution progress or error conditions. See also BLK_ERR.   |
| 11  | U8B_ARRAY_1     | Unsigned8[20]     |  | 0             | None  | D            | First array used for 8-bit variables   |
| 12  | U8B_ARRAY_2     | Unsigned8[20]     |  | 0             | None  | D            | Second array used for 8-bit variables  |
| 13  | U8B_ARRAY_3     | Unsigned8[20]     |  | 0             | None  | D            | Third array used for 8-bit variables   |
| 14  | U8B_ARRAY_4     | Unsigned8[20]     |  | 0             | None  | D            | Fourth array used for 8-bit variables  |
| 15  | U8B_ARRAY_5     | Unsigned8[20]     |  | 0             | None  | D            | Fifth array used for 8-bit variables   |
| 16  | FLOAT_ARRAY_1   | FloatingPoint[20] |  | 0             | None  | D            | First array used for Floating Point variables  |
| 17  | FLOAT_ARRAY_2   | FloatingPoint[20] |  | 0             | None  | D            | Second array used for Floating Point variables   |
| 18  | FLOAT_ARRAY_3   | FloatingPoint[20] |  | 0             | None  | D            | Third array used for Floating Point variables  |
| 19  | FLOAT_ARRAY_4   | FloatingPoint[20] |  | 0             | None  | D            | Fourth array used for Floating Point variables   |
| 20  | FLOAT_ARRAY_5   | FloatingPoint[20] |  | 0             | None  | D            | Fifth array used for Floating Point variables  |
| 21  | U16B_ARRAY_1    | Unsigned16[20]    |  | 0             | None  | D            | First array of 16-bit (2-byte) values  |
| 22  | U32B_ARRAY_1    | Unsigned32[10]    |  | 0             | None  | D            | First array of 32-bit variables  |
| 23  | U32B_ARRAY_2    | Unsigned32[10]    |  | 0             | None  | D            | Second array of 32-bit variables   |
| 24  | String_01       | VisibleString(8)  |  | Spaces        | NA    | D            | First general string (8 characters)  |
| 25  | String_02       | VisibleString(8)  |  | Spaces        | NA    | D            | 8 characters general use string  |
| 26  | String_03       | VisibleString(8)  |  | Spaces        | NA    | D            | 8 characters general use string  |
| 27  | String_04       | VisibleString(8)  |  | Spaces        | NA    | D            | 8 characters general use string  |
| 28  | String_05       | VisibleString(8)  |  | Spaces        | NA    | D            | 8 characters general use string  |
| 29  | String_06       | VisibleString(16) |  | Spaces        | NA    | D            | 16 characters general use string   |
| 30  | String_07       | VisibleString(16) |  | Spaces        | NA    | D            | 16 characters general use string   |
| 31  | String_08       | VisibleString(16) |  | Spaces        | NA    | D            | 16 characters general use string   |
| 32  | String_09       | VisibleString(16) |  | Spaces        | NA    | D            | 16 characters general use string   |
| 33  | String_10       | VisibleString(16) |  | Spaces        | NA    | D            | 16 characters general use string   |
| 34  | String_11       | VisibleString(32) |  | Spaces        | NA    | D            | 32 characters general use string   |
| 35  | String_12       | VisibleString(32) |  | Spaces        | NA    | D            | 32 characters general use string   |
| 36  | String_13       | VisibleString(32) |  | Spaces        | NA    | D            | 32 characters general use string   |

| Idx | Parameter  | Data Type         | Valid Range / Options | Default Value | Units | Store / Mode | Description  |
|-----|------------|-------------------|-----------------------|---------------|-------|--------------|--|
| 37  | String_14  | VisibleString(32) |                       | Spaces        | NA    | D            | 32 characters general use string   |
| 38  | String_15  | VisibleString(32) |                       | Spaces        | NA    | D            | 32 characters general use string   |
| 39  | String_16  | VisibleString(32) |                       | Spaces        | NA    | D            | 32 characters general use string   |
| 40  | String_17  | VisibleString(32) |                       | Spaces        | NA    | D            | 32 characters general use string   |
| 41  | String_18  | VisibleString(32) |                       | Spaces        | NA    | D            | 32 characters general use string   |
| 42  | String_19  | VisibleString(32) |                       | Spaces        | NA    | D            | 32 characters general use string   |
| 43  | String_20  | VisibleString(32) |                       | Spaces        | NA    | D            | 32 characters general use string   |
| 44  | UPDATE_EVT | DS-73             |                       |               | NA    | D            | This alert is generated by any change to the static data.  |
| 45  | BLK_ALM    | DS-72             |                       |               | NA    | D            | The block alarm is used for all configuration, hardware, connection failure or system problems in the block. The cause of the alert is entered in the subcode field. The first alert to become active will set the Active status in the Status attribute. As soon as the Unreported status is cleared by the alert reporting task, another block alert may be reported without clearing the Active status, if the subcode has changed. |

Legend: E – Enumerated parameter; Na – Adimensional parameter; RO – Read only; D – dynamic; N – non-volatile; S – Static

Gray Background Line: Default Parameters of Syscon

## HCD - HART Commands Definition

## Parameters

| Idx | Parameter       | Data Type         | Valid Range / Options           | Default Value | Units | Store / Mode | Description   |
|-----|-----------------|-------------------|---------------------------------|---------------|-------|--------------|---|
| 0   | BLOCK_STRUCTURE | DS-64             |                                 |               | NA    | S            |   |
| 1   | ST_REV          | Unsigned16        |                                 | 0             | None  | S / RO       |   |
| 2   | TAG_DESC        | OctString(32)     |                                 | Spaces        | NA    | S            |   |
| 3   | STRATEGY        | Unsigned16        |                                 | 0             | None  | S            |   |
| 4   | ALERT_KEY       | Unsigned8         | 1 to 255                        | 0             | None  | S            |   |
| 5   | MODE_BLK        | DS-69             |                                 | O/S           | NA    | S            | See Mode Parameter  |
| 6   | BLK_ERR         | Bitstring(2)      |                                 |               | None  | D / RO       |   |
| 7   | HCD_CODE        | OctString(5)      |                                 | 0             | None  | S            | This code identifies uniquely this configuration and must be formed by combining MAN_ID, DEV_TYPE, UNI_REV, SPEC_REV and SW_REV of the targeted device. |
| 8   | DEVICE_INFO     | VisibleString(32) |                                 | Spaces        | NA    | S            | This parameter stores the device name or any other comment related to this set of command definitions.  |
| 9   | CMD_00          | OctString(44)     | Request and Response parameters | 0             | NA    | S            | See HART Command configuration parameters.  |
| 10  | CMD_01          | OctString(44)     | Request and Response parameters | 0             | NA    | S            | See HART Command configuration parameters.  |
| 11  | CMD_02          | OctString(44)     | Request and Response parameters | 0             | NA    | S            | See HART Command configuration parameters.  |
| 12  | CMD_03          | OctString(44)     | Request and Response parameters | 0             | NA    | S            | See HART Command configuration parameters.  |
| 13  | CMD_04          | OctString(44)     | Request and Response parameters | 0             | NA    | S            | See HART Command configuration parameters.  |
| 14  | CMD_05          | OctString(44)     | Request and Response parameters | 0             | NA    | S            | See HART Command configuration parameters.  |
| 15  | CMD_06          | OctString(44)     | Request and Response parameters | 0             | NA    | S            | See HART Command configuration parameters.  |
| 16  | CMD_07          | OctString(44)     | Request and Response parameters | 0             | NA    | S            | See HART Command configuration parameters.  |
| 17  | CMD_08          | OctString(44)     | Request and Response parameters | 0             | NA    | S            | See HART Command configuration parameters.  |
| 18  | CMD_09          | OctString(44)     | Request and Response parameters | 0             | NA    | S            | See HART Command configuration parameters.  |
| 19  | CMD_10          | OctString(44)     | Request and Response parameters | 0             | NA    | S            | See HART Command configuration parameters.  |
| 20  | CMD_11          | OctString(44)     | Request and Response parameters | 0             | NA    | S            | See HART Command configuration parameters.  |
| 21  | CMD_12          | OctString(44)     | Request and Response parameters | 0             | NA    | S            | See HART Command configuration parameters.  |
| 22  | CMD_13          | OctString(44)     | Request and Response parameters | 0             | NA    | S            | See HART Command configuration parameters.  |
| 23  | CMD_14          | OctString(44)     | Request and Response parameters | 0             | NA    | S            | See HART Command configuration parameters.  |
| 24  | CMD_15          | OctString(44)     | Request and Response parameters | 0             | NA    | S            | See HART Command configuration parameters.  |
| 25  | CMD_16          | OctString(44)     | Request and Response parameters | 0             | NA    | S            | See HART Command configuration parameters.  |
| 26  | CMD_17          | OctString(44)     | Request and Response parameters | 0             | NA    | S            | See HART Command configuration parameters.  |
| 27  | CMD_18          | OctString(44)     | Request and Response parameters | 0             | NA    | S            | See HART Command configuration parameters.  |
| 28  | CMD_19          | OctString(44)     | Request and Response parameters | 0             | NA    | S            | See HART Command configuration parameters.  |
| 29  | CMD_20          | OctString(44)     | Request and Response parameters | 0             | NA    | S            | See HART Command configuration parameters.  |
| 30  | CMD_21          | OctString(44)     | Request and Response parameters | 0             | NA    | S            | See HART Command configuration parameters.  |

| Idx | Parameter  | Data Type      | Valid Range / Options           | Default Value | Units | Store / Mode | Description   |
|-----|------------|----------------|---------------------------------|---------------|-------|--------------|---|
| 31  | CMD_22     | OctString(44)  | Request and Response parameters | 0             | NA    | S            | See HART Command configuration parameters.                |
| 32  | CMD_23     | OctString(44)  | Request and Response parameters | 0             | NA    | S            | See HART Command configuration parameters.                |
| 33  | CMD_24     | OctString(44)  | Request and Response parameters | 0             | NA    | S            | See HART Command configuration parameters.                |
| 34  | CMD_25     | OctString(44)  | Request and Response parameters | 0             | NA    | S            | See HART Command configuration parameters.                |
| 35  | CMD_26     | OctString(44)  | Request and Response parameters | 0             | NA    | S            | See HART Command configuration parameters.                |
| 36  | CMD_27     | OctString(44)  | Request and Response parameters | 0             | NA    | S            | See HART Command configuration parameters.                |
| 37  | CMD_28     | OctString(44)  | Request and Response parameters | 0             | NA    | S            | See HART Command configuration parameters.                |
| 38  | CMD_29     | OctString(44)  | Request and Response parameters | 0             | NA    | S            | See HART Command configuration parameters.                |
| 39  | CMD_30     | OctString(44)  | Request and Response parameters | 0             | NA    | S            | See HART Command configuration parameters.                |
| 40  | CMD_31     | OctString(44)  | Request and Response parameters | 0             | NA    | S            | See HART Command configuration parameters.                |
| 41  | CMD_32     | OctString(44)  | Request and Response parameters | 0             | NA    | S            | See HART Command configuration parameters.                |
| 42  | CMD_33     | OctString(44)  | Request and Response parameters | 0             | NA    | S            | See HART Command configuration parameters.                |
| 43  | CMD_34     | OctString(44)  | Request and Response parameters | 0             | NA    | S            | See HART Command configuration parameters.                |
| 44  | CMD_35     | OctString(44)  | Request and Response parameters | 0             | NA    | S            | See HART Command configuration parameters.                |
| 45  | CMD_36     | OctString(44)  | Request and Response parameters | 0             | NA    | S            | See HART Command configuration parameters.                |
| 46  | CMD_37     | OctString(44)  | Request and Response parameters | 0             | NA    | S            | See HART Command configuration parameters.                |
| 47  | CMD_38     | OctString(44)  | Request and Response parameters | 0             | NA    | S            | See HART Command configuration parameters.                |
| 48  | CMD_39     | OctString(44)  | Request and Response parameters | 0             | NA    | S            | See HART Command configuration parameters.                |
| 49  | CMD_40     | OctString(104) | Request and Response parameters | 0             | NA    | S            | See HART Command configuration parameters.                |
| 50  | CMD_41     | OctString(104) | Request and Response parameters | 0             | NA    | S            | See HART Command configuration parameters.                |
| 51  | CMD_42     | OctString(104) | Request and Response parameters | 0             | NA    | S            | See HART Command configuration parameters.                |
| 52  | CMD_43     | OctString(104) | Request and Response parameters | 0             | NA    | S            | See HART Command configuration parameters.                |
| 53  | CMD_44     | OctString(104) | Request and Response parameters | 0             | NA    | S            | See HART Command configuration parameters.                |
| 54  | CMD_45     | OctString(104) | Request and Response parameters | 0             | NA    | S            | See HART Command configuration parameters.                |
| 55  | CMD_46     | OctString(104) | Request and Response parameters | 0             | NA    | S            | See HART Command configuration parameters.                |
| 56  | CMD_47     | OctString(104) | Request and Response parameters | 0             | NA    | S            | See HART Command configuration parameters.                |
| 57  | CMD_48     | OctString(104) | Request and Response parameters | 0             | NA    | S            | See HART Command configuration parameters.                |
| 58  | CMD_49     | OctString(104) | Request and Response parameters | 0             | NA    | S            | See HART Command configuration parameters.                |
| 59  | UPDATE_EVT | DS-73          |                                 |               | NA    | D            | This alert is generated by any change to the static data. |

| Idx | Parameter | Data Type | Valid Range / Options | Default Value | Units | Store / Mode | Description  |
|-----|-----------|-----------|-----------------------|---------------|-------|--------------|--|
| 60  | BLK_ALM   | DS-72     |                       |               | NA    | D            | The block alarm is used for all configuration, hardware, connection failure or system problems in the block. The cause of the alert is entered in the subcode field. The first alert to become active will set the Active status in the Status attribute. As soon as the Unreported status is cleared by the alert reporting task, another block alert may be reported without clearing the Active status, if the subcode has changed. |

**Legend:** *E* – Enumerated parameter; *Na* – Adimensional parameter; *RO* – Read only; *D* – dynamic; *N* – non-volatile; *S* – Static

**Gray Background Line:** Default Parameters of Syscon



## HWPC - HART WRITEABLE-PARAMETER TO COMMAND CORRELATION

### Parameters

| Idx | Parameter       | Data Type     | Valid Range / Options | Default Value | Units | Store / Mode | Description                                       |
|-----|-----------------|---------------|-----------------------|---------------|-------|--------------|---|
| 0   | BLOCK_STRUCTURE | DS-64         |                       |               | NA    | S            |   |
| 1   | ST_REV          | Unsigned16    |                       | 0             | None  | S / RO       |   |
| 2   | TAG_DESC        | OctString(32) |                       | Spaces        | NA    | S            |   |
| 3   | STRATEGY        | Unsigned16    |                       | 0             | None  | S            |   |
| 4   | ALERT_KEY       | Unsigned8     | 1 to 255              | 0             | None  | S            |   |
| 5   | MODE_BLK        | DS-69         |                       | O/S           | NA    | S            | See Mode Parameter                                |
| 6   | BLK_ERR         | Bitstring(2)  |                       |               | None  | D / RO       |   |
| 7   | HWPC_CODE       | OctString(5)  |                       | 0             | None  | S            | Must be equal to the associated HCD.              |
| 8   | WPC_00          | Unsigned8[20] |                       | 0             | None  | S            | See parameter to command correlation description. |
| 9   | WPC_01          | Unsigned8[20] |                       | 0             | None  | S            | See parameter to command correlation description. |
| 10  | WPC_02          | Unsigned8[20] |                       | 0             | None  | S            | See parameter to command correlation description. |
| 11  | WPC_03          | Unsigned8[20] |                       | 0             | None  | S            | See parameter to command correlation description. |
| 12  | WPC_04          | Unsigned8[20] |                       | 0             | None  | S            | See parameter to command correlation description. |
| 13  | WPC_05          | Unsigned8[20] |                       | 0             | None  | S            | See parameter to command correlation description. |
| 14  | WPC_06          | Unsigned8[20] |                       | 0             | None  | S            | See parameter to command correlation description. |
| 15  | WPC_07          | Unsigned8[20] |                       | 0             | None  | S            | See parameter to command correlation description. |
| 16  | WPC_08          | Unsigned8[20] |                       | 0             | None  | S            | See parameter to command correlation description. |
| 17  | WPC_09          | Unsigned8[20] |                       | 0             | None  | S            | See parameter to command correlation description. |
| 18  | WPC_10          | Unsigned8[20] |                       | 0             | None  | S            | See parameter to command correlation description. |
| 19  | WPC_11          | Unsigned8[20] |                       | 0             | None  | S            | See parameter to command correlation description. |
| 20  | WPC_12          | Unsigned8[20] |                       | 0             | None  | S            | See parameter to command correlation description. |
| 21  | WPC_13          | Unsigned8[20] |                       | 0             | None  | S            | See parameter to command correlation description. |
| 22  | WPC_14          | Unsigned8[20] |                       | 0             | None  | S            | See parameter to command correlation description. |
| 23  | WPC_15          | Unsigned8[20] |                       | 0             | None  | S            | See parameter to command correlation description. |
| 24  | WPC_16          | Unsigned8[20] |                       | 0             | None  | S            | See parameter to command correlation description. |
| 25  | WPC_17          | Unsigned8[20] |                       | 0             | None  | S            | See parameter to command correlation description. |
| 26  | WPC_18          | Unsigned8[20] |                       | 0             | None  | S            | See parameter to command correlation description. |
| 27  | WPC_19          | Unsigned8[20] |                       | 0             | None  | S            | See parameter to command correlation description. |
| 28  | WPC_20          | Unsigned8[20] |                       | 0             | None  | S            | See parameter to command correlation description. |
| 29  | WPC_21          | Unsigned8[20] |                       | 0             | None  | S            | See parameter to command correlation description. |
| 30  | WPC_22          | Unsigned8[20] |                       | 0             | None  | S            | See parameter to command correlation description. |
| 31  | WPC_23          | Unsigned8[20] |                       | 0             | None  | S            | See parameter to command correlation description. |
| 32  | WPC_24          | Unsigned8[20] |                       | 0             | None  | S            | See parameter to command correlation description. |

| Idx | Parameter  | Data Type | Valid Range / Options | Default Value | Units | Store / Mode | Description  |
|-----|------------|-----------|-----------------------|---------------|-------|--------------|--|
| 33  | UPDATE_EVT | DS-73     |                       |               | NA    | D            | This alert is generated by any change to the static data.  |
| 34  | BLK_ALM    | DS-72     |                       |               | NA    | D            | The block alarm is used for all configuration, hardware, connection failure or system problems in the block. The cause of the alert is entered in the subcode field. The first alert to become active will set the Active status in the Status attribute. As soon as the Unreported status is cleared by the alert reporting task, another block alert may be reported without clearing the Active status, if the subcode has changed. |

**Legend:** E – Enumerated parameter; Na – Adimensional parameter; RO – Read only; D – dynamic; N – non-volatile; S – Static

**Gray Background Line: Default Parameters of Syscon**



Parameters

| Idx | Parameter       | Data Type      | EEPROM | SRAM | Valid Range / Options  | Default Value | Units | Store / Mode | Description  |
|-----|-----------------|----------------|--------|------|--|---------------|-------|--------------|--|
| 0   | BLOCK_STRUCTURE | DS-64          | 62     | 62   |  |               | NA    | S            |  |
| 1   | ST_REV          | Unsigned16     | 2      | 2    |  | 0             | None  | S / RO       |  |
| 2   | TAG_DESC        | OctString(32)  | 32     | 32   |  | Spaces        | NA    | S            |  |
| 3   | STRATEGY        | Unsigned16     | 2      | 2    |  | 0             | None  | S            |  |
| 4   | ALERT_KEY       | Unsigned8      | 1      | 1    | 1 to 255   | 0             | None  | S            |  |
| 5   | MODE_BLK        | DS-69          | 4      | 4    |  | O/S           | NA    | S            | See Mode Parameter   |
| 6   | BLK_ERR         | Bitstring(2)   | 0      | 2    |  |               | None  | D / RO       |  |
| 7   | BYPASS_STATUS   | Unsigned8[8]   | 0      | 8    | 0x00: Idle,<br>0x01: Busy,<br>0x02: Timeout,<br>0x03: Response Available | 0x00: Idle,   | NA    | D / RO       | This array shows the status of the bypass execution for all the channels and must be supervised for response check purposes. |
| 8   | BYPASS_REQ_1    | OctString(100) | 0      | 100  |  |               | NA    | D            | This parameter allows the user to send an entire HART frame through the channel.   |
| 9   | BYPASS_RES_1    | OctString(100) | 0      | 100  |  |               | NA    | D / RO       | This is the response grabbed by the channel if the addressed device has replied.   |
| 10  | BYPASS_REQ_2    | OctString(100) | 0      | 100  |  |               | NA    | D            | This parameter allows the user to send an entire HART frame through the channel.   |
| 11  | BYPASS_RES_2    | OctString(100) | 0      | 100  |  |               | NA    | D / RO       | This is the response grabbed by the channel if the addressed device has replied.   |
| 12  | BYPASS_REQ_3    | OctString(100) | 0      | 100  |  |               | NA    | D            | This parameter allows the user to send an entire HART frame through the channel.   |
| 13  | BYPASS_RES_3    | OctString(100) | 0      | 100  |  |               | NA    | D / RO       | This is the response grabbed by the channel if the addressed device has replied.   |
| 14  | BYPASS_REQ_4    | OctString(100) | 0      | 100  |  |               | NA    | D            | This parameter allows the user to send an entire HART frame through the channel.   |
| 15  | BYPASS_RES_4    | OctString(100) | 0      | 100  |  |               | NA    | D / RO       | This is the response grabbed by the channel if the addressed device has replied.   |
| 16  | BYPASS_REQ_5    | OctString(100) | 0      | 100  |  |               | NA    | D            | This parameter allows the user to send an entire HART frame through the channel.   |
| 17  | BYPASS_RES_5    | OctString(100) | 0      | 100  |  |               | NA    | D / RO       | This is the response grabbed by the channel if the addressed device has replied.   |
| 18  | BYPASS_REQ_6    | OctString(100) | 0      | 100  |  |               | NA    | D            | This parameter allows the user to send an entire HART frame through the channel.   |
| 19  | BYPASS_RES_6    | OctString(100) | 0      | 100  |  |               | NA    | D / RO       | This is the response grabbed by the channel if the addressed device has replied.   |

| Idx | Parameter    | Data Type      | EEPROM | SRAM | Valid Range / Options | Default Value | Units | Store / Mode | Description   |
|-----|--------------|----------------|--------|------|-----------------------|---------------|-------|--------------|---|
| 20  | BYPASS_REQ_7 | OctString(100) | 0      | 100  |                       |               | NA    | D            | This parameter allows the user to send and entire HART frame trough the channel.  |
| 21  | BYPASS_RES_7 | OctString(100) | 0      | 100  |                       |               | NA    | D / RO       | This is the response grabbed by the channel if the addressed device has replied.  |
| 22  | BYPASS_REQ_8 | OctString(100) | 0      | 100  |                       |               | NA    | D            | This parameter allows the user to send and entire HART frame trough the channel.  |
| 23  | BYPASS_RES_8 | OctString(100) | 0      | 100  |                       |               | NA    | D / RO       | This is the response grabbed by the channel if the addressed device has replied.  |
| 24  | UPDATE_EVT   | DS-73          | 0      | 14   |                       |               | NA    | D            | This alert is generated by any change to the static data.   |
| 25  | BLK_ALM      | DS-72          | 0      | 13   |                       |               | NA    | D            | The block alarm is used for all configuration, hardware, connection failure or system problems in the block. The cause of the alert is entered in the subcode field. The first alert to become active will set the Active status in the Status attribute. As so |

**Legend:** E – Enumerated parameter; Na – Admensional parameter; RO – Read only; D – dynamic; N – non-volatile; S – Static

**Gray Background Line:** Default Parameters of Syscon

## Block Options

### Resource Block Bit Strings

#### HARD\_TYPES

Hardware types supported

| Bit | Meaning            |
|-----|--------------------|
| 0   | Scalar input (LSB) |
| 1   | Scalar output      |
| 2   | Discrete input     |
| 3   | Discrete output    |
| 4   |                    |
| 5   |                    |
| 6   |                    |
| 7   |                    |
| 8   |                    |
| 9   |                    |
| 10  |                    |
| 11  |                    |
| 12  |                    |
| 13  |                    |
| 14  |                    |
| 15  |                    |

#### CYCLE\_TYPE and CYCLE\_SEL

Types of cycle supported

| Bit | Meaning          |
|-----|------------------|
| 0   | Scheduled (LSB)  |
| 1   | Block Execution  |
| 2   | Manufac Specific |
| 3   |                  |
| 4   |                  |
| 5   |                  |
| 6   |                  |
| 7   |                  |
| 8   |                  |
| 9   |                  |
| 10  |                  |
| 11  |                  |
| 12  |                  |
| 13  |                  |
| 14  |                  |
| 15  |                  |

#### FEATURES and FEATURE\_SEL

Things that this resource supports

| Bit | Meaning                                   |
|-----|---|
| 0   | Unicode                                   |
| 1   | Reports                                   |
| 2   | Fault State                               |
| 3   | Soft Write lock                           |
| 4   | Hard Write lock                           |
| 5   | Output readback (*)                       |
| 6   | Direct Write                              |
| 7   | Change of bypass in an automatic mode (*) |
| 8   | MVC supported (*)                         |
| 9   |   |
| 10  |   |
| 11  |   |
| 12  |   |
| 13  |   |
| 14  |   |
| 15  |   |

#### Order of Resource Block Alerts

For ALARM\_SUM and ACK\_OPTION

| Bit | Meaning                  |
|-----|--------------------------|
| 0   | Writes have been enabled |
| 1   |                          |
| 2   |                          |
| 3   |                          |
| 4   |                          |
| 5   |                          |
| 6   |                          |
| 7   | Block alarm              |
| 8   |                          |
| 9   |                          |
| 10  |                          |
| 11  |                          |
| 12  |                          |
| 13  |                          |
| 14  |                          |
| 15  |                          |

(\*) This feature depends on the Hardware Type

## **FEATURES and FEATURE\_SEL**

### **Unicode strings**

This feature is not supported.

### **Reports supported**

It is necessary to set this feature in order to enable alert reporting in the resource.

### **Fault State supported**

If this feature is selected in FEATURE\_SEL, setting the SET\_FSTATE parameter will force all output function blocks (AO and DO) in the resource to go to fault state.

Individual output function block will go to Fault State due to a loss of communication to CAS\_IN or IFS status in CAS\_IN, regardless the selection of this feature.

### **Soft Write lock supported**

It is necessary to select this feature to set the WRITE\_LOCK parameter.

### **Hard Write lock supported**

This feature is not supported.

### **Output readback supported**

Only the FY302 and FP302 support output readback and this feature is used regardless the selection in FEATURE\_SEL.

### **Direct write to output hardware**

This feature is not supported.

### **Change of BYPASS in an automatic mode**

If this feature is selected in FEATURE\_SEL, it is allowed to write in BYPASS in an automatic mode, otherwise only in Man or O/S modes.

### **MVC supported**

The selection of this feature allows optimize communication performance by transferring a grouped data as a single variable list in either publisher/subscriber transactions for function block links, or report distribution to a host device.

## Function Block Options

### IO\_OPTS

| Bit | Meaning                            | AI | DI | AO | DO | STEP |
|-----|------------------------------------|----|----|----|----|------|
| 0   | Invert (LSB)                       |    | X  |    | X  |      |
| 1   | SP tracks PV if Man                |    |    | X  | X  |      |
| 2   | SP tracks PV if LO                 |    |    | X  | X  |      |
| 3   | SP tracks Rcas or Cas if LO or Man |    |    | X  | X  |      |
| 4   | Increase to close                  |    |    | X  |    |      |
| 5   | Faultstate Type                    |    |    | X  | X  | X    |
| 6   | Faultstate restart                 |    |    | X  | X  | X    |
| 7   | Target to Man                      |    |    | X  | X  | X    |
| 8   | PV for BKCal_Out                   |    |    | X  | X  |      |
| 9   | Low cutoff                         | X  |    |    |    |      |
| 10  | Low cutoff                         |    |    |    |    |      |
| 11  | Reserved                           |    |    |    |    |      |
| 12  | Reserved                           |    |    |    |    |      |
| 13  | Reserved                           |    |    |    |    |      |
| 14  | Reserved                           |    |    |    |    |      |
| 15  | Reserved                           |    |    |    |    |      |

#### **Invert**

Indicate whether the discrete input value should be logically inverted before it is stored in the process variable.

#### **SP-PV Track in Man**

Permit the setpoint to track the process variable when the target mode of the block is Man.

#### **SP-PV Track in LO**

Permit the setpoint to track the process variable when the actual mode of the block is LO. IMan is not possible in an I/O block.

#### **SP tracks RCAS or CAS if LO or MAN**

Permit the set point to track the Rcas or Cas parameter based on the retained target mode when the actual mode of the block is LO or Man.

#### **Increase to close**

Indicate whether the output value should be inverted before it is communicated to the I/O channel.

#### **Faultstate Type**

The output action to take when failure occurs. (0: freeze, 1: go to preset value)

#### **Faultstate restart**

Use the value of FSTATE\_VAL if the device is restarted, otherwise use the non-volatile value. This does not act like Fault State, just uses the value.

#### **Target to Man if FAULT STATE activated**

Set the target mode to Man, thus losing the original target, if Fault State is activated. This latches an output block into the manual mode.

#### **Use PV for BKCAL\_OUT**

The BKCAL\_OUT value is normally the working SP. This option changes it to the PV.

#### **Low cutoff**

The AI low cutoff algorithm is enabled.



## CONTROL\_OPTS

| Bit | Meaning                           | PID | EPID | APID | CHAR | STEP |
|-----|-----------------------------------|-----|------|------|------|------|
| 0   | Bypass Enable (LSB)               | X   | X    | X    | X    |      |
| 1   | SP-PV Track in Man                | X   | X    | X    |      | X    |
| 2   | SP-PV Track in Rout               | X   | X    | X    |      |      |
| 3   | SP-PV Track in LO or Iman         | X   | X    | X    |      | X    |
| 4   | SP Track Retained Target          | X   | X    | X    |      | X    |
| 5   | Direct Acting                     | X   | X    | X    |      | X    |
| 6   | Balance Ramp                      |     |      |      |      |      |
| 7   | Track Enable                      | X   | X    | X    |      |      |
| 8   | Track in Manual                   | X   | X    | X    |      |      |
| 9   | PV for BKCAL_OUT                  | X   | X    | X    |      | X    |
| 10  | Bias may be adjusted              |     |      |      |      |      |
| 11  | Convert IN_1 to Out_Scale         |     |      |      |      |      |
| 12  | Restrict SP limits if Cas or Rcas | X   | X    | X    |      | X    |
| 13  | No OUT limits in Manual           | X   | X    | X    |      |      |
| 14  | Reserved                          |     |      |      |      |      |
| 15  | Reserved                          |     |      |      |      |      |

### Bypass Enable

This parameter, if true, allows BYPASS to be set. Some control algorithm applications cannot provide closed loop control if bypassed.

### SP-PV Track in Man

Permit the setpoint to track the process variable when the target mode of the block is Man.

### SP-PV Track in Rout

Permit the setpoint to track the process variable when the actual mode of the block is ROut.

### SP-PV Track in LO or IMan

Permit the setpoint to track the process variable when the actual mode of the block is LO or IMan.

### SP Track retained target

Permit the setpoint to track the Rcas or Cas parameter based on the retained target mode when the actual mode of the block is IMAN, LO, Man or ROut. When SP-PV Track options are enable, then SP track retained target will have precedence in the selection of the value to track when the actual mode is MAN, IMAN, ROUT and LO.

### Direct Acting

Define the relationship between a change in PV and corresponding change in output. When Direct is selected, an increase in PV results in an increase in the output.

### Track Enable

This enables the external tracking function. If true, the value in TRK\_VAL will replace the value of OUT if TRK\_IN\_D becomes true and the target mode is not Man.

### Track in Manual

This enables TRK\_VAL to replace the value of OUT when the target mode is Man and TRK\_IN\_D is true. The actual mode will then be LO.

### PV for BKCAL\_OUT

The BKCAL\_OUT and RCAS\_OUT values are normally the working SP. If this options is enable, then the PV value will be used after the CASCADE is closed.

### Convert IN\_1 to Out\_Scale

This feature is not used.

**Restrict SP to limits if Cas or Rcas**

Normally the setpoint will not be restricted to the setpoint limits except when entered by a human interface device. However, if this option is selected, the setpoint will be restricted to the setpoint absolute limits in the Cas and Rcas modes.

**No OUT limits in Manual**

Do not apply OUT\_HI\_LIM or OUT\_LO\_LIM when target and actual mode are Man. Trust the operator to do the right thing.

**STATUS\_OPTS**

| Bit | Meaning                    | AI | DI | PUL | PID | EPID | APID | SPLT | AALM | ISEL | SPG | TIME | LLAG | DENS | FFET | AO | DO | STEP |
|-----|----------------------------|----|----|-----|-----|------|------|------|------|------|-----|------|------|------|------|----|----|------|
| 0   | IFS if BAD IN (LSB)        |    |    |     | X   | X    | X    |      |      |      |     |      |      |      |      |    |    |      |
| 1   | IFS if BAD CAS_IN          |    |    |     | X   | X    | X    | X    |      |      |     |      |      |      |      |    |    |      |
| 2   | Use Uncertain as Good      |    |    |     | X   | X    | X    | X    | X    | X    | X   | X    | X    | X    | X    |    |    | X    |
| 3   | Propagate Fail Forward     | X  | X  | X   |     |      |      |      |      |      |     |      |      |      |      |    |    |      |
| 4   | Propagate Fail Backward    |    |    |     |     |      |      |      |      |      |     |      |      |      |      | X  | X  | X    |
| 5   | Target to Manual if BAD IN |    |    |     | X   | X    | X    |      |      |      |     |      |      |      |      |    |    | X    |
| 6   | Uncertain if Limited       | X  |    | X   |     |      |      |      |      |      |     |      |      |      |      |    |    |      |
| 7   | BAD if Limited             | X  |    | X   |     |      |      |      |      |      |     |      |      |      |      |    |    |      |
| 8   | Uncertain if Man mode      | X  | X  | X   |     |      |      |      |      |      |     |      |      |      |      |    |    |      |
| 9   | No select if No AUTO       |    |    |     | X   | X    | X    |      |      |      |     |      |      |      |      |    |    | X    |
| 10  | No select if no Cas        |    |    |     |     |      |      |      |      |      |     |      |      |      |      |    |    |      |
| 11  | Reserved                   |    |    |     |     |      |      |      |      |      |     |      |      |      |      |    |    |      |
| 12  | Reserved                   |    |    |     |     |      |      |      |      |      |     |      |      |      |      |    |    |      |
| 13  | Reserved                   |    |    |     |     |      |      |      |      |      |     |      |      |      |      |    |    |      |
| 14  | Reserved                   |    |    |     |     |      |      |      |      |      |     |      |      |      |      |    |    |      |
| 15  | Reserved                   |    |    |     |     |      |      |      |      |      |     |      |      |      |      |    |    |      |

**IFS if BAD IN**

Set Initiate Fault State status in the OUT parameter if the status of the IN parameter is BAD.

**IFS if BAD CAS\_IN**

Set Initiate Fault State status in the OUT parameter if the status of the CAS\_IN parameter is BAD.

**Use Uncertain as Good**

If the status of the IN parameter is Uncertain, treat it as Good. Otherwise, treat it as BAD.

**Propagate Fail Forward**

If the status from the sensor is Bad, Device failure or Bad, Sensor failure, propagate it to OUT without generating an alarm. The use of these sub-status in OUT is determined by this option. Through this option, the user may determine whether alarming (sending of an alert) will be done by the block or propagated downstream for alarming.

**Propagate Fail Backward**

If the status from the actuator is Bad, Device failure or Fault State Active or Local Override is active, propagate this as Bad, Device Failure or Good Cascade, Fault State Active or Local Override to BKCAL\_OUT respectively without generating an alarm. The use of these sub-status in BKCAL\_OUT

is determined by this option. Through this option, the user may determine whether alarming (sending of an alert) will be done by the block or propagated upstream for alarming.

#### Target to Manual if BAD IN

Set the target mode to Man if the status of the IN parameter is BAD. This latches a PID block into the Man state if the input ever goes bad.

#### Uncertain if Limited

Set the output status of an input or calculation block to uncertain if the measured or calculated value is limited.

#### BAD if Limited

Set the output status to Bad if the sensor is at a high or low limit.

#### Uncertain if Man Mode

Set the output status of an input or calculation block to uncertain if the actual mode of the block is Man.

### ALARM\_SUM and ACK\_OPTION

(Valid for all blocks, except for Resource Block)

| Bit | Description   | Meaning              | AI | PUL | DI | APID | PID/EPID | AALM | SPG | DENS | STEP |
|-----|---------------|----------------------|----|-----|----|------|----------|------|-----|------|------|
|     | Unack Alarm1  | Discrete alarm       |    |     | X  |      |          |      |     |      |      |
|     | Unack Alarm2  | High High alarm      | x  | x   |    | x    | x        | x    |     |      | x    |
|     | Unack Alarm3  | High alarm           | x  | x   |    | x    | x        | x    |     | x    | x    |
|     | Unack Alarm4  | Low Low alarm        | x  | x   |    | x    | x        | x    |     |      | x    |
|     | Unack Alarm5  | Low alarm            | x  | x   |    | x    | x        | x    |     | x    | x    |
|     | Unack Alarm6  | Deviation High alarm |    |     |    | x    | x        |      | x   |      | x    |
|     | Unack Alarm7  | Deviation Low alarm  |    |     |    | x    | x        |      | x   |      | x    |
|     | Unack Alarm8  | Block alarm          | x  | x   | X  | x    | x        | x    | x   | x    | x    |
|     | Unack Alarm9  | Not used             |    |     |    |      |          |      |     |      |      |
|     | Unack Alarm10 | Not used             |    |     |    |      |          |      |     |      |      |
|     | Unack Alarm11 | Not used             |    |     |    |      |          |      |     |      |      |
|     | Unack Alarm12 | Not used             |    |     |    |      |          |      |     |      |      |
|     | Unack Alarm13 | Not used             |    |     |    |      |          |      |     |      |      |
|     | Unack Alarm14 | Not used             |    |     |    |      |          |      |     |      |      |
|     | Unack Alarm15 | Not used             |    |     |    |      |          |      |     |      |      |
| 15  | Unack Alarm16 | Not used             |    |     |    |      |          |      |     |      |      |

## APID and EPID Function Blocks Options

### PID\_OPTS

| Bit | Meaning                          |
|-----|----------------------------------|
| 0   | IFS if Bad TRK_IN_D              |
| 1   | IFS if Bad TRK_VAL               |
| 2   | Man if Bad TRK_IN_D              |
| 3   | Man if Bad TRK_VAL               |
| 4   | Target to Manual if BAD TRK_IN_D |
| 5   | Target to Manual if BAD TRK_VAL  |
| 6   | Target to Man if Tracking Active |
| 7   | Reserved                         |
| 8   | Reserved                         |
| 9   | Reserved                         |
| 10  | Reserved                         |
| 11  | Reserved                         |
| 12  | Reserved                         |
| 13  | Reserved                         |
| 14  | Reserved                         |
| 15  | Reserved                         |

## Integrator Function Block Options

### INTEG\_OPTS

| Bit | Meaning            |
|-----|--------------------|
| 0   | Input 1 accumulate |
| 1   | Input 2 accumulate |
| 2   | Flow forward       |
| 3   | Flow reverse       |
| 4   | Use Uncertain      |
| 5   | Use Bad            |
| 6   | Carry              |
| 7   | Reserved           |
| 8   | Reserved           |
| 9   | Reserved           |
| 10  | Reserved           |
| 11  | Reserved           |
| 12  | Reserved           |
| 13  | Reserved           |
| 14  | Reserved           |
| 15  | Reserved           |

## Timer Function Block Options

### INVERT\_OPTS

| Bit | Meaning        | TIMER | AALM |
|-----|----------------|-------|------|
| 0   | Invert IN_D1   | X     |      |
| 1   | Invert IN_D2   | X     |      |
| 2   | Invert IN_D3   | X     |      |
| 3   | Invert IN_D4   | X     |      |
| 4   | Invert OUT_D   | X     | X    |
| 5   | Invert OUT_ALM |       | X    |
| 6   | Reserved       |       |      |
| 7   | Reserved       |       |      |
| 8   | Reserved       |       |      |
| 9   | Reserved       |       |      |
| 10  | Reserved       |       |      |
| 11  | Reserved       |       |      |
| 12  | Reserved       |       |      |
| 13  | Reserved       |       |      |
| 14  | Reserved       |       |      |
| 15  | Reserved       |       |      |

## Arithmetic Function Block Options

### INPUT\_OPTS

| Bit | Meaning             |
|-----|---------------------|
| 0   | IN Use uncertain    |
| 1   | IN_LO Use uncertain |
| 2   | IN_1 Use uncertain  |
| 3   | IN_1 Use bad        |
| 4   | IN_2 Use uncertain  |
| 5   | IN_2 Use bad        |
| 6   | IN_3 Use uncertain  |
| 7   | IN_3 Use bad        |
| 8   | Reserved            |
| 9   | Reserved            |
| 10  | Reserved            |
| 11  | Reserved            |
| 12  | Reserved            |
| 13  | Reserved            |
| 14  | Reserved            |
| 15  | Reserved            |

## Output Signal Selector and Dynamic Limiter Function Block Options

### OSDL\_OPTS

| Bit | Meaning                       |
|-----|-------------------------------|
| 0   | IFS if BAD IN                 |
| 1   | IFS if BAD CAS_IN             |
| 2   | Use Uncertain as Good         |
| 3   | IFS for only selected output  |
| 4   | Reserved                      |
| 5   | Reserved                      |
| 6   | Reserved                      |
| 7   | Reserved                      |
| 8   | Reserved                      |
| 9   | Reserved                      |
| 10  | Reserved                      |
| 11  | IFS if BAD IN_1               |
| 12  | Keep last value if not select |
| 13  | IFS for only selected output  |
| 14  | Use OUT for BKCAL_OUT         |
| 15  | Use OUT_1 for BKCAL_OUT       |

## Multiple Output Function Block Options

### MO\_STATUS\_OPTS

| Bit | Meaning         |
|-----|-----------------|
| 0   | IFS if BAD IN_1 |
| 1   | IFS if BAD IN_2 |
| 2   | IFS if BAD IN_3 |
| 3   | IFS if BAD IN_4 |
| 4   | IFS if BAD IN_5 |
| 5   | IFS if BAD IN_6 |
| 6   | IFS if BAD IN_7 |
| 7   | IFS if BAD IN_8 |
| 8   | Reserved        |
| 9   | Reserved        |
| 10  | Reserved        |
| 11  | Reserved        |
| 12  | Reserved        |
| 13  | Reserved        |
| 14  | Reserved        |
| 15  | Reserved        |

**MO\_OPTS (Profile Rev. 0 – FB700)**

| Bit | Meaning                            |
|-----|------------------------------------|
| 0   | Fault state to value 1             |
| 1   | Use fault state value on restart 1 |
| 2   | Fault state to value 2             |
| 3   | Use fault state value on restart 2 |
| 4   | Fault state to value 3             |
| 5   | Use fault state value on restart 3 |
| 6   | Fault state to value 4             |
| 7   | Use fault state value on restart 4 |
| 8   | Fault state to value 5             |
| 9   | Use fault state value on restart 5 |
| 10  | Fault state to value 6             |
| 11  | Use fault state value on restart 6 |
| 12  | Fault state to value 7             |
| 13  | Use fault state value on restart 7 |
| 14  | Fault state to value 8             |
| 15  | Use fault state value on restart 8 |

**MO\_OPTS (Profile Rev. 1 – DFI302)**

| Bit | Meaning                            |
|-----|------------------------------------|
| 0   | Fault state to value 1             |
| 1   | Fault state to value 2             |
| 2   | Fault state to value 3             |
| 3   | Fault state to value 4             |
| 4   | Fault state to value 5             |
| 5   | Fault state to value 6             |
| 6   | Fault state to value 7             |
| 7   | Fault state to value 8             |
| 8   | Use fault state value on restart 1 |
| 9   | Use fault state value on restart 2 |
| 10  | Use fault state value on restart 3 |
| 11  | Use fault state value on restart 4 |
| 12  | Use fault state value on restart 5 |
| 13  | Use fault state value on restart 6 |
| 14  | Use fault state value on restart 7 |
| 15  | Use fault state value on restart 8 |

## Hardware Configuration Block Options

### MODULE\_STATUS\_R0\_3

| Bit | Meaning                           |
|-----|-----------------------------------|
| 0   | Status of module in rack 0 slot 0 |
| 1   | Status of module in rack 0 slot 1 |
| 2   | Status of module in rack 0 slot 2 |
| 3   | Status of module in rack 0 slot 3 |
| 4   | Status of module in rack 1 slot 0 |
| 5   | Status of module in rack 1 slot 1 |
| 6   | Status of module in rack 1 slot 2 |
| 7   | Status of module in rack 1 slot 3 |

| Bit | Meaning                           |
|-----|-----------------------------------|
| 0   | Status of module in rack 2 slot 0 |
| 1   | Status of module in rack 2 slot 1 |
| 2   | Status of module in rack 2 slot 2 |
| 3   | Status of module in rack 2 slot 3 |
| 4   | Status of module in rack 3 slot 0 |
| 5   | Status of module in rack 3 slot 1 |
| 6   | Status of module in rack 3 slot 2 |
| 7   | Status of module in rack 3 slot 3 |

### MODULE\_STATUS\_R4\_7

| Bit | Meaning                           |
|-----|-----------------------------------|
| 0   | Status of module in rack 4 slot 0 |
| 1   | Status of module in rack 4 slot 1 |
| 2   | Status of module in rack 4 slot 2 |
| 3   | Status of module in rack 4 slot 3 |
| 4   | Status of module in rack 5 slot 0 |
| 5   | Status of module in rack 5 slot 1 |
| 6   | Status of module in rack 5 slot 2 |
| 7   | Status of module in rack 5 slot 3 |

| Bit | Meaning                           |
|-----|-----------------------------------|
| 0   | Status of module in rack 6 slot 0 |
| 1   | Status of module in rack 6 slot 1 |
| 2   | Status of module in rack 6 slot 2 |
| 3   | Status of module in rack 6 slot 3 |
| 4   | Status of module in rack 7 slot 0 |
| 5   | Status of module in rack 7 slot 1 |
| 6   | Status of module in rack 7 slot 2 |
| 7   | Status of module in rack 7 slot 3 |



**MODULE\_STATUS\_R8\_11**

| Bit | Meaning                           |
|-----|-----------------------------------|
| 0   | Status of module in rack 8 slot 0 |
| 1   | Status of module in rack 8 slot 1 |
| 2   | Status of module in rack 8 slot 2 |
| 3   | Status of module in rack 8 slot 3 |
| 4   | Status of module in rack 9 slot 0 |
| 5   | Status of module in rack 9 slot 1 |
| 6   | Status of module in rack 9 slot 2 |
| 7   | Status of module in rack 9 slot 3 |

| Bit | Meaning                            |
|-----|------------------------------------|
| 0   | Status of module in rack 10 slot 0 |
| 1   | Status of module in rack 10 slot 1 |
| 2   | Status of module in rack 10 slot 2 |
| 3   | Status of module in rack 10 slot 3 |
| 4   | Status of module in rack 11 slot 0 |
| 5   | Status of module in rack 11 slot 1 |
| 6   | Status of module in rack 11 slot 2 |
| 7   | Status of module in rack 11 slot 3 |

**MODULE\_STATUS\_R12\_14**

| Bit | Meaning                            |
|-----|------------------------------------|
| 0   | Status of module in rack 12 slot 0 |
| 1   | Status of module in rack 12 slot 1 |
| 2   | Status of module in rack 12 slot 2 |
| 3   | Status of module in rack 12 slot 3 |
| 4   | Status of module in rack 13 slot 0 |
| 5   | Status of module in rack 13 slot 1 |
| 6   | Status of module in rack 13 slot 2 |
| 7   | Status of module in rack 13 slot 3 |

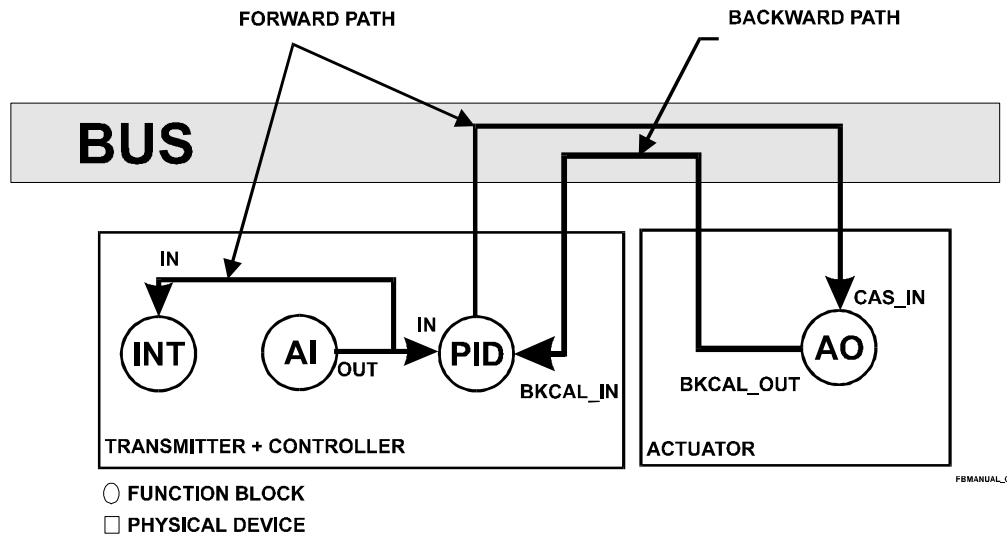
| Bit | Meaning                            |
|-----|------------------------------------|
| 0   | Status of module in rack 14 slot 0 |
| 1   | Status of module in rack 14 slot 1 |
| 2   | Status of module in rack 14 slot 2 |
| 3   | Status of module in rack 14 slot 3 |
| 4   |                                    |
| 5   |                                    |
| 6   |                                    |
| 7   |                                    |



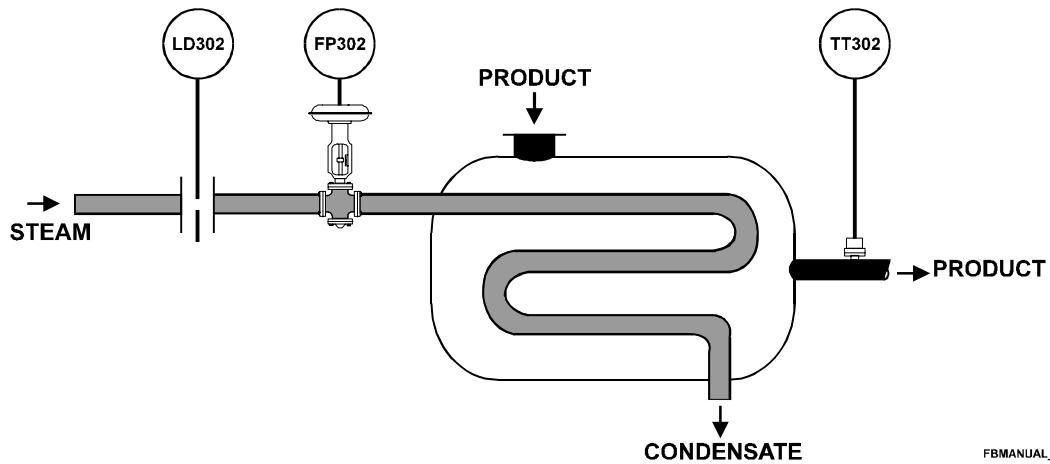
# Chapter 3

## EXAMPLES

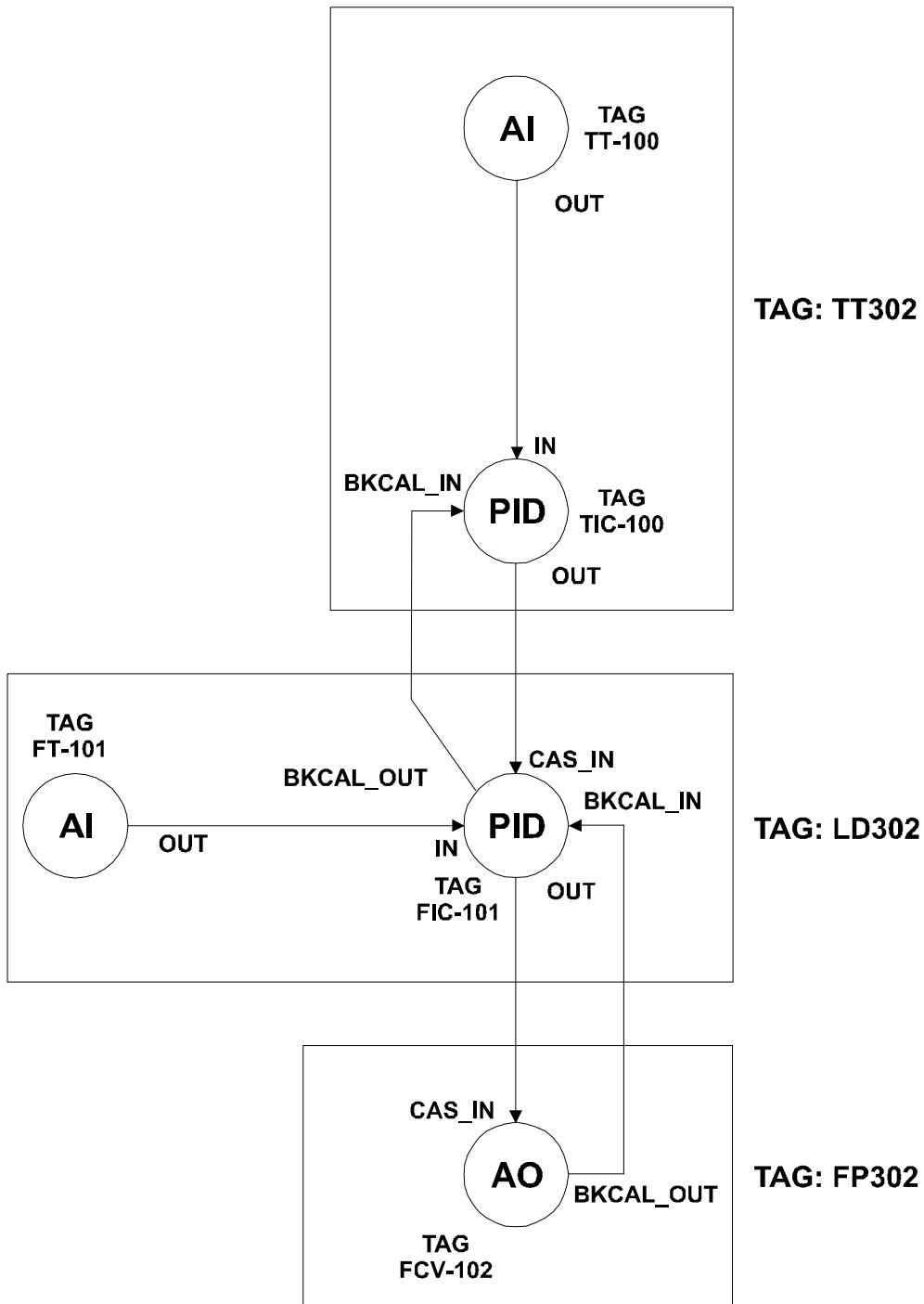
### Simple Control Application



### Cascade Control



### Corresponding Configuration

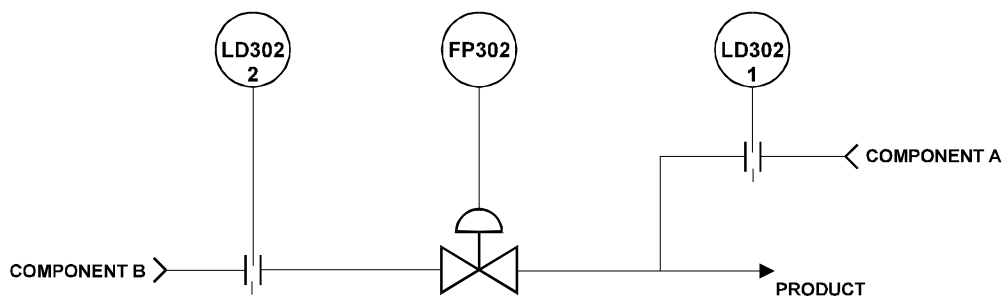


FbMANUAL\_03

## Parameterization

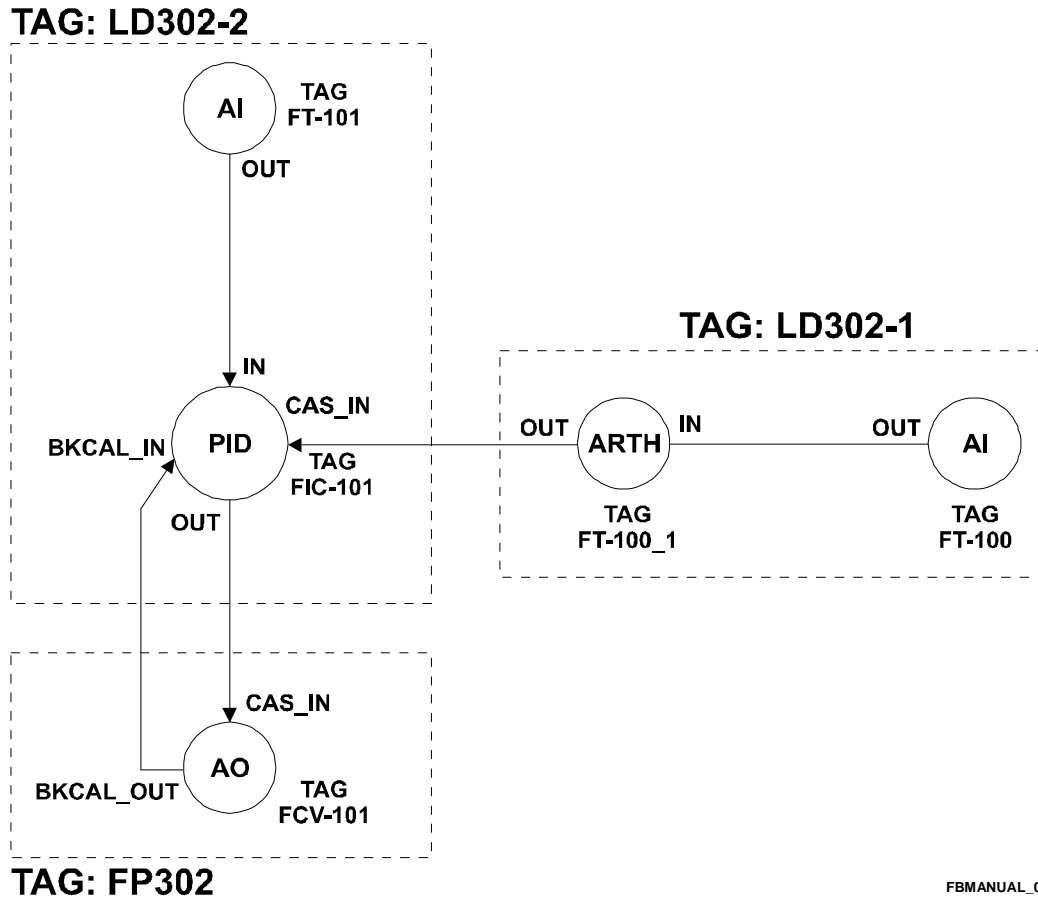
| Device | Block | Block Tag | Parameter | Element | Value                 |
|--------|-------|-----------|-----------|---------|-----------------------|
| TT302  | AI    | TT-100    | MODE_BLK  | Target  | AUTO                  |
|        | PID   | TIC-100   | MODE_BLK  | Target  | AUTO                  |
|        |       |           | PV_SCALE  |         | 0-600 °C              |
|        |       |           | OUT_SCALE |         | 0-200 kg/h            |
| LD302  | AI    | FT-101    | MODE_BLK  | Target  | AUTO                  |
|        |       |           | L_TYPE    |         | Indirect, square root |
|        |       |           | XD_SCALE  |         | 0-200 in H2O          |
|        |       |           | OUT_SCALE |         | 0-200 kg/h            |
|        | PID   | FIC_101   | MODE_BLK  | Target  | CAS                   |
|        |       |           | PV_SCALE  |         | 0-200 kg/h            |
|        |       |           | OUT_SCALE |         | 0-100%                |
| FP302  | AO    | FCV-102   | MODE_BLK  | Target  | CAS                   |
|        |       |           | PV_SCALE  |         | 0-100%                |
|        |       |           | XD_SCALE  |         | 3-15 psi              |

## Ratio Control



FBMANUAL\_04

### Corresponding Configuration

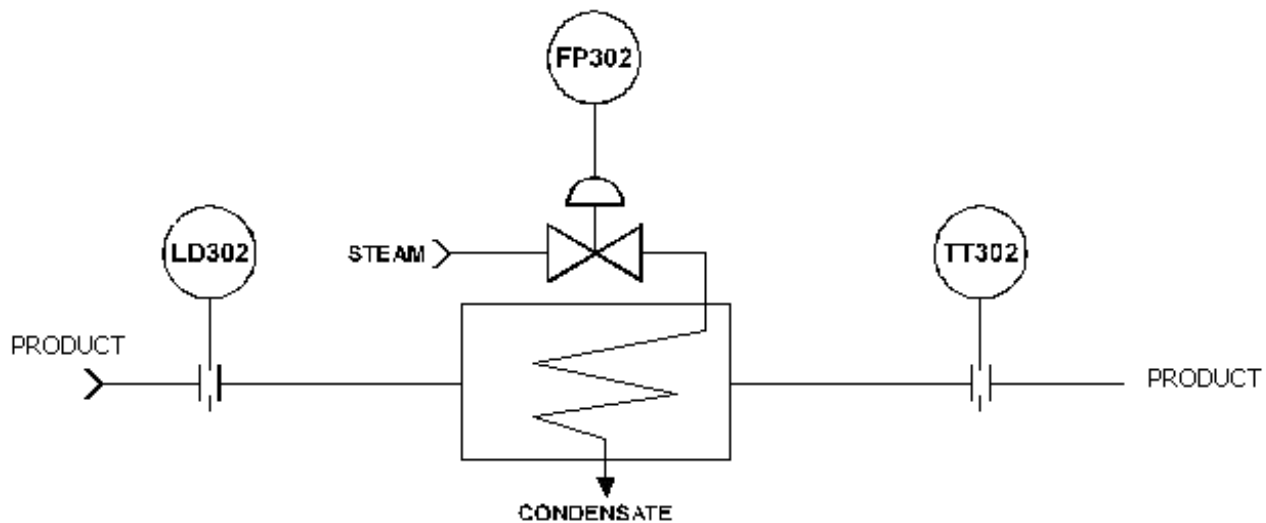


FBSMANUAL\_05

### Parameterization

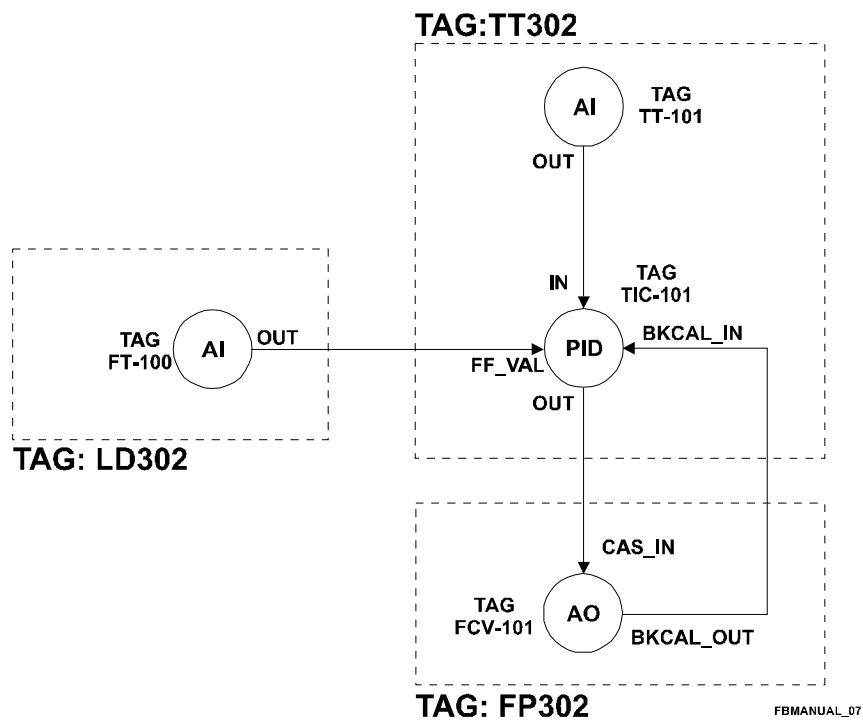
| Device  | Block | Block Tag | Parameter  | Element  | Value                                  |        |          |
|---------|-------|-----------|------------|----------|--|--------|----------|
| LD302-1 | AI    | FT-100    | MODE_BLK   | Target   | AUTO                                   |        |          |
|         |       |           | ARTH       | FY-100_1 | MODE_BLK                               | Target | AUTO     |
|         |       |           | ARITH_TYPE |          | 7                                      |        |          |
|         |       |           | GAIN       |          | Adjusted by user to the desired rate p |        |          |
|         |       |           | RANGE_LO   |          | 0                                      |        |          |
|         |       |           | RANGE_HI   |          | -10 (for g = 1)                        |        |          |
| LD302-2 | AI    | FT-101    | MODE_BLK   | Target   | AUTO                                   |        |          |
|         |       |           | PID        | FIC-101  | MODE_BLK                               | Target | Cas      |
|         |       |           | PV_SCALE   |          | 0-200 in H2O                           |        |          |
|         |       |           | OUT_SCALE  |          | 0-100 %                                |        |          |
| FP302   | AO    | FCV-101   | MODE_BLK   | Target   | Cas                                    |        |          |
|         |       |           |            |          | PV_SCALE                               |        | 0-100 %  |
|         |       |           |            |          | XD_SCALE                               |        | 3-15 psi |

## Feedforward Control



FBIANUAL 06

### Corresponding Configuration

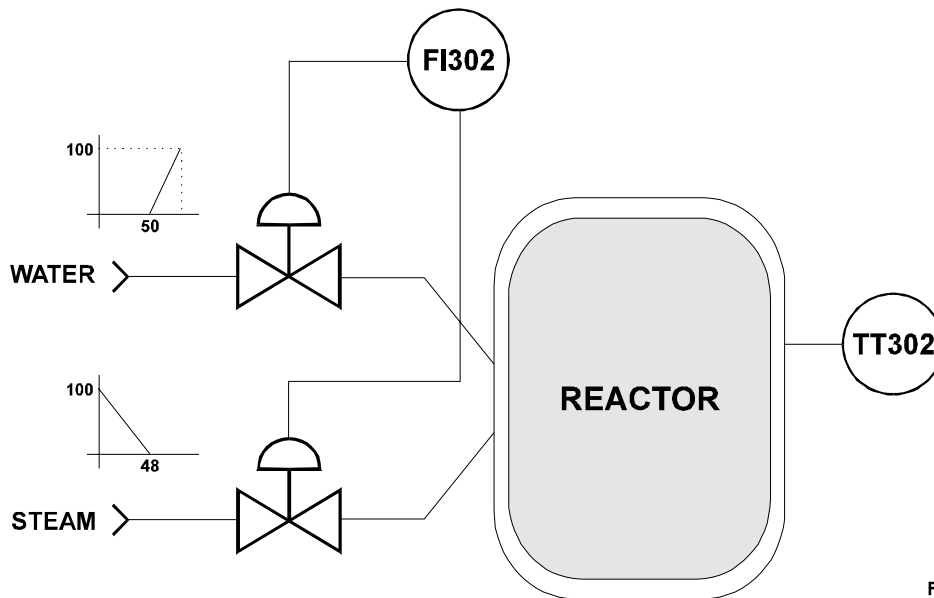


FBIANUAL 07

### Parameterization

| Device | Block | Block Tag | Parameter | Element | Value                 |
|--------|-------|-----------|-----------|---------|-----------------------|
| TT302  | AI    | TT-101    | MODE_BLK  | Target  | AUTO                  |
|        | PID   | TIC-101   | MODE_BLK  | Target  | AUTO                  |
|        |       |           | PV_SCALE  |         | 0-600 °C              |
|        |       |           | FF_SCALE  |         | 0-500 GAL/min         |
|        |       |           | FF_GAIN   |         | 0.1                   |
| LD302  | AI    | FT-100    | MODE_BLK  | Target  | AUTO                  |
|        |       |           | L_TYPE    |         | Indirect, square root |
|        |       |           | XD_SCALE  |         | 0-125 in H2O          |
|        |       |           | OUT_SCALE |         | 0-500 GAL/min         |
| FP302  | AO    | FCV-101   | MODE_BLK  | Target  | CAS                   |
|        |       |           | PV_SCALE  |         | 0-100%                |
|        |       |           | XD_SCALE  |         | 3-15 psi              |

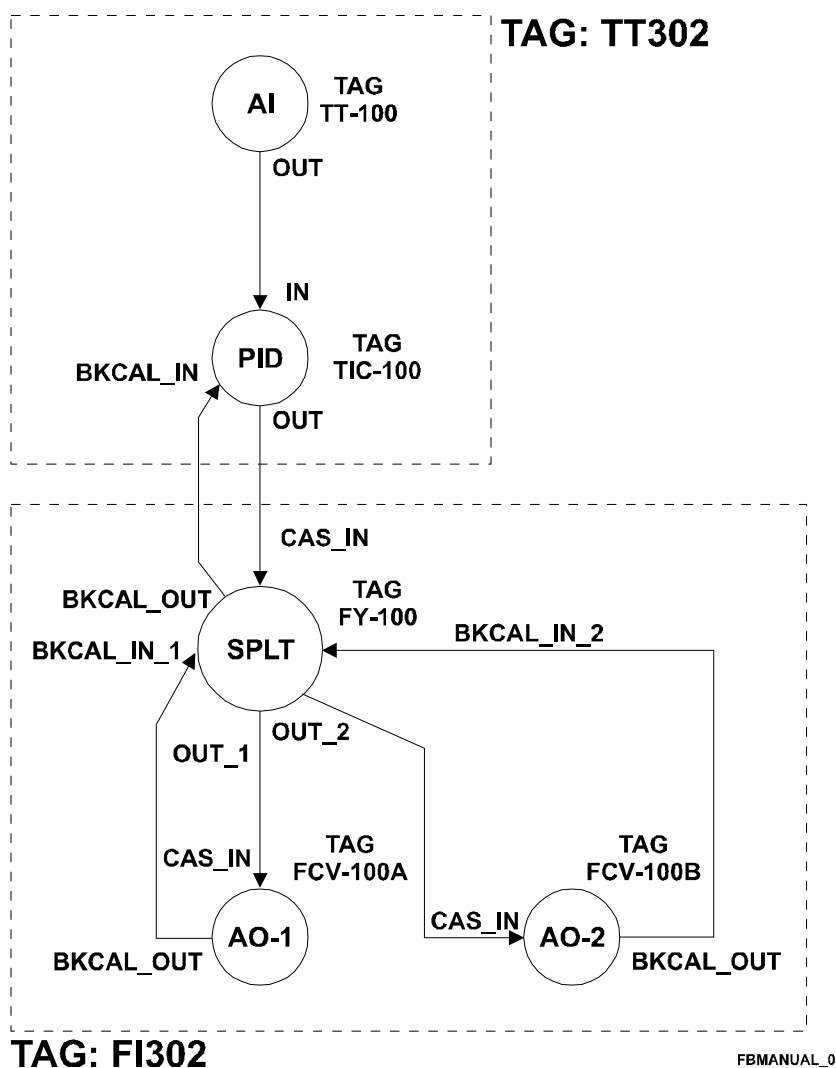
### Split Range Control



FbMANUAL\_08



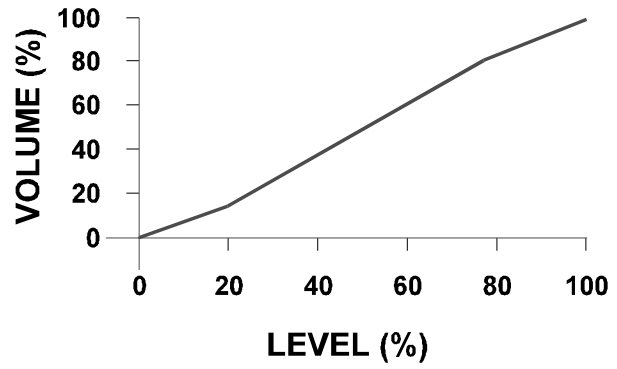
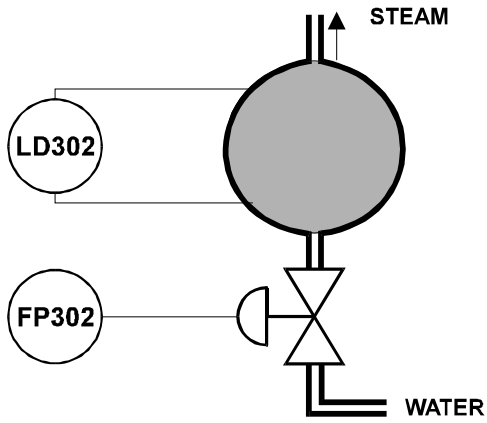
### Corresponding Configuration



### Parameterization

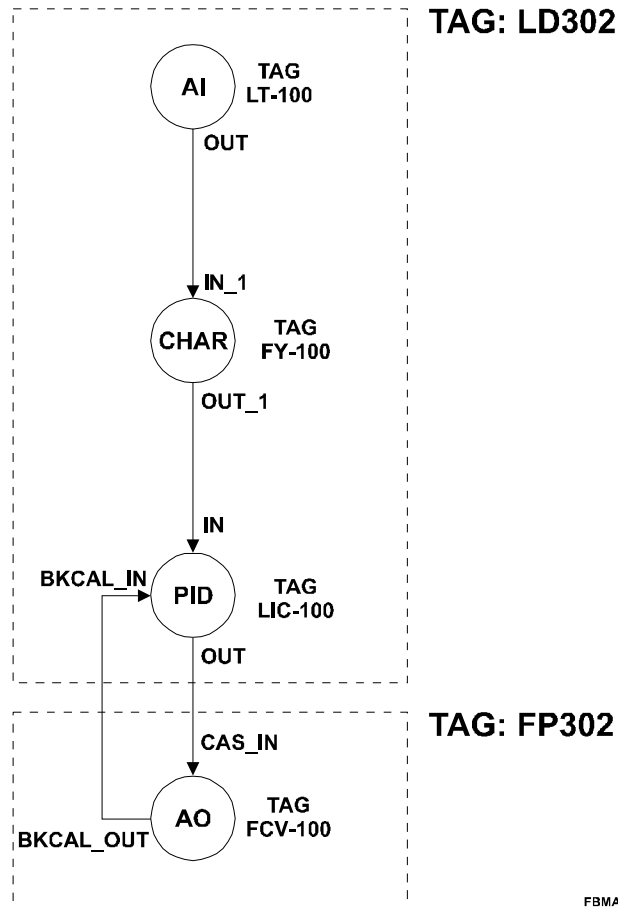
| Device    | Block | Block Tag | Parameter | Element        | Value          |
|-----------|-------|-----------|-----------|----------------|----------------|
| TT302     | AI    | TT-100    | MODE_BLK  | Target         | AUTO           |
|           |       |           | PID       | TIC-100        | MODE_BLK       |
|           |       |           | PV_SCALE  |                | 0-600 °C       |
|           |       |           | OUT_SCALE |                | 0-100 %        |
|           | SPLT  | FY-100    | MODE_BLK  | Target         | Cas            |
|           |       |           | LOCKVAL   |                | Yes            |
|           |       |           | IN_ARRAY  |                | 0, 48, 50, 100 |
| OUT_ARRAY |       |           |           | 100, 0, 0, 100 |                |
| FI302     | AO    | FCV-100A  | MODE_BLK  | Target         | Cas            |
|           |       |           | PV_SCALE  |                | 0-100 %        |
|           |       |           | XD_SCALE  |                | 4-20 mA        |
|           | AO 2  | FCV-100B  | MODE_BLK  | Target         | Cas            |
|           |       |           | PV_SCALE  |                | 0-100 %        |
|           |       |           | XD_SCALE  |                | 4-20 mA        |

## Level Control



FbMANUAL\_10

### Corresponding Configuration

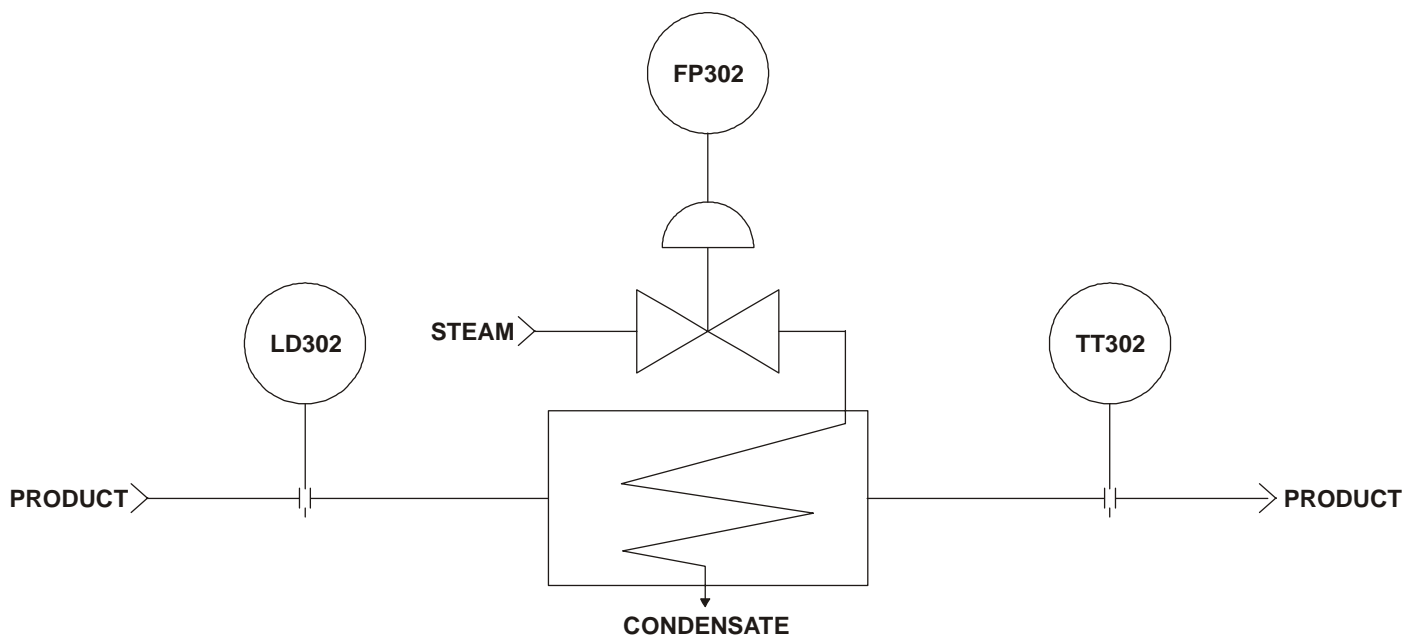


FbMANUAL\_11

### Parameterization

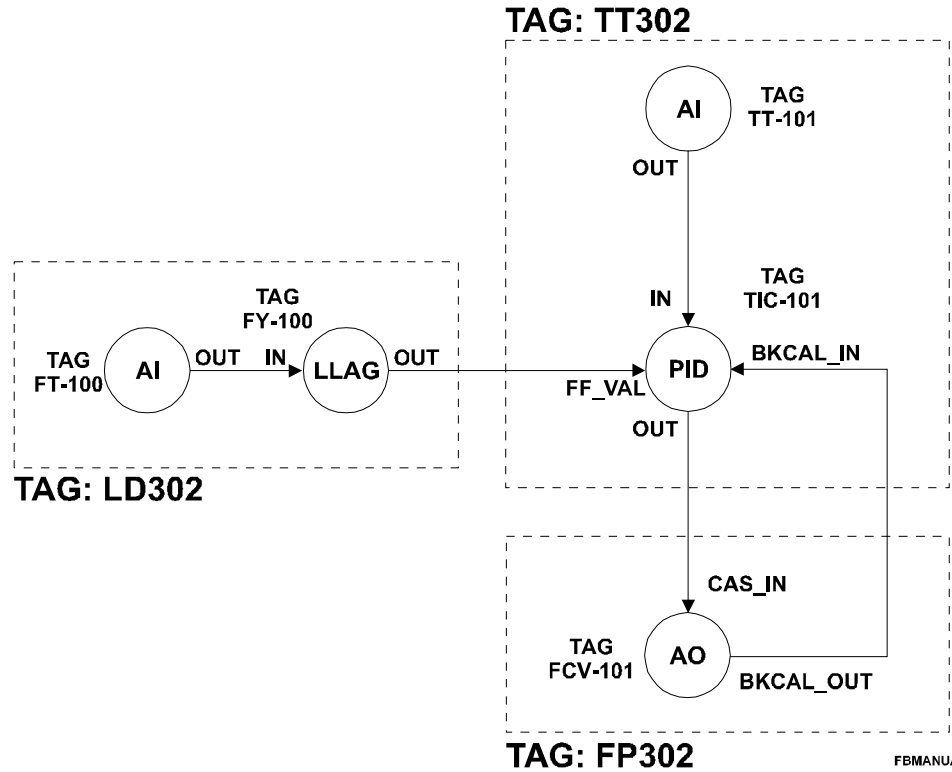
| Device | Block | Block Tag | Parameter    | Element | Value                                  |
|--------|-------|-----------|--------------|---------|--|
| LD302  | AI    | LT-100    | MODE_BLK     | Target  | AUTO                                   |
|        | CHAR  | FY-100    | MODE_BLK     | Target  | AUTO                                   |
|        |       |           | X_UNITS      |         | inH2O                                  |
|        |       |           | Y_UNITS      |         | gal                                    |
|        |       |           | CURV_INPUTS  |         | 0,40,80,100,120,160,200                |
|        |       |           | CURV_OUTPUTS |         | 0, 14.23, 37.35, 50, 62.64, 85.76, 100 |
|        | PID   | LIC-100   | MODE_BLK     | Target  | AUTO                                   |
|        |       |           | PV_SCALE     |         | 0-100 gal                              |
|        |       |           | OUT_SCALE    |         | 0-100 %                                |
| FP302  | AO    | FCV-100   | MODE_BLK     | Target  | Cas                                    |
|        |       |           | PV_SCALE     |         | 0-100 %                                |
|        |       |           | XD_SCALE     |         | 3-15 psi                               |

### Rate Control Loop with Lead - Lag



FMANUAL\_12

### Corresponding Configuration

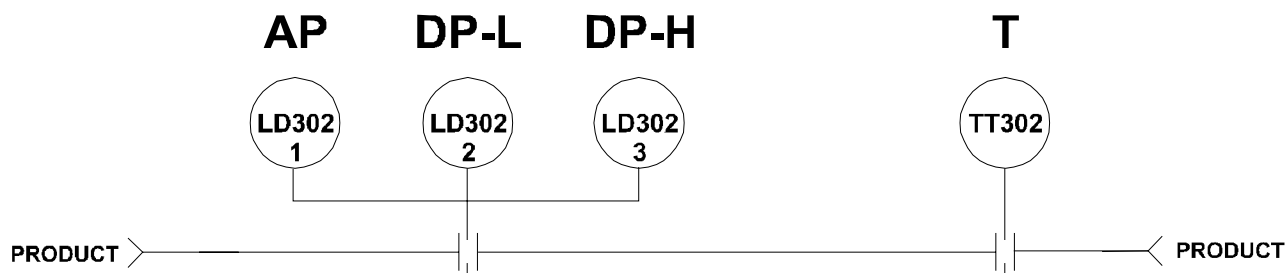


FBMANUAL\_13

### Parameterization

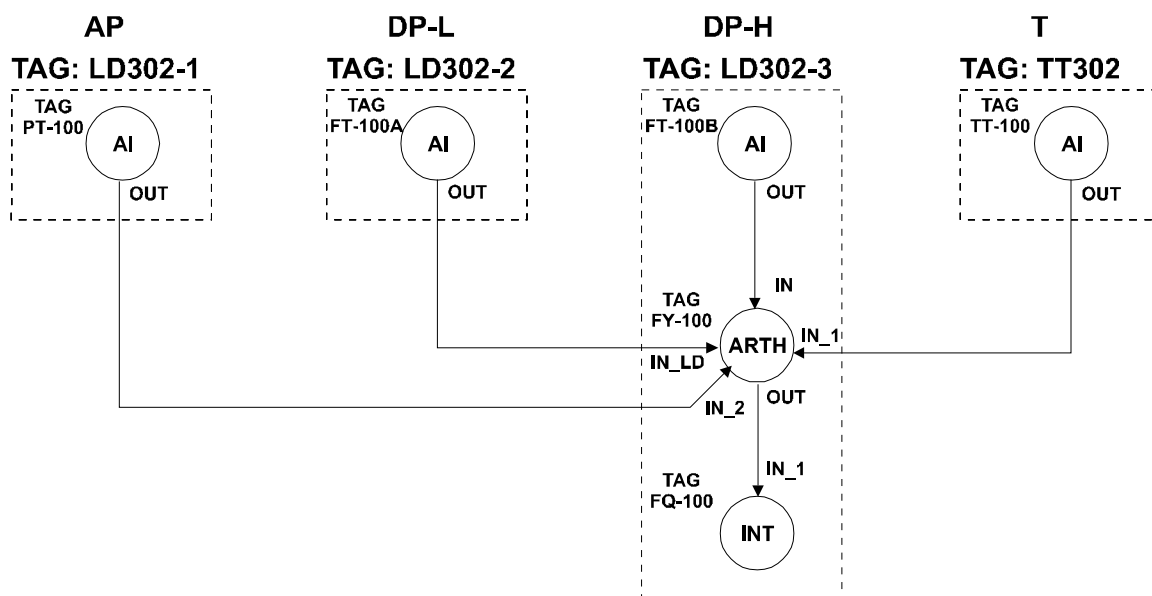
| Device | Block | Block Tag | Parameter | Element | Value                 |
|--------|-------|-----------|-----------|---------|-----------------------|
| TT302  | AI    | TT-101    | MODE_BLK  | Target  | AUTO                  |
|        |       |           | PID       | TIC-101 | MODE_BLK              |
|        |       |           | PV_SCALE  |         | 0-100 gal             |
|        |       |           | OUT_SCALE |         | 0-100 %               |
|        |       |           | FF_SCALE  |         | 0-500 GAL/min         |
|        |       |           | FF_GAIN   |         | 0.1                   |
| LD302  | AI    | FT-100    | MODE_BLK  | Target  | AUTO                  |
|        |       |           | XD_SCALE  |         | 0-125 inH2O           |
|        |       |           | OUT_SCALE |         | 0-500GAL/min          |
|        |       |           | L_TYPE    |         | Indirect, square root |
|        | LLAG  | FY-100    | MODE_BLK  | Target  | AUTO                  |
|        |       |           | OUT_UNIT  |         | GAL/min               |
|        |       | LEAD_TIME |           | 60      |                       |
|        |       | LAG_TIME  |           | 60      |                       |
| FP302  | AO    | FCV-101   | MODE_BLK  | Target  | Cas                   |
|        |       |           | PV_SCALE  |         | 0-100 %               |
|        |       |           | XD_SCALE  |         | 3-15 psi              |

## Flow Compensation Configuration with Totalization



FBMANUAL\_14

### Corresponding Configuration



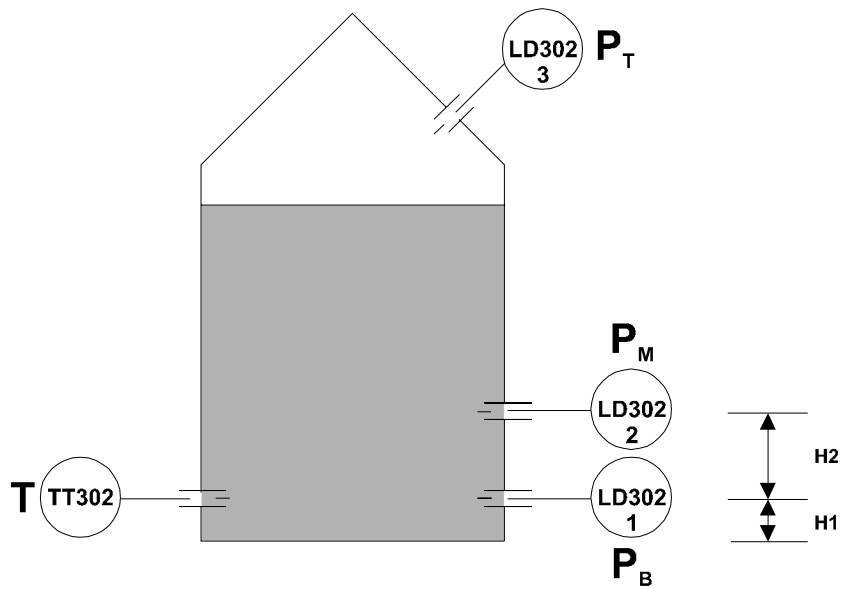
FBMANUAL\_15

### Parameterization

| Device  | Block | Block Tag | Parameter | Element | Value          |
|---------|-------|-----------|-----------|---------|----------------|
| LD302-1 | AI    | PT-100    | MODE_BLK  | Target  | AUTO           |
|         |       |           | L_TYPE    |         | Direct         |
|         |       |           | XD_SCALE  | UNIT    | Pa             |
| LD302-2 | AI    | FT-100A   | MODE_BLK  | Target  | AUTO           |
|         |       |           | XD_SCALE  |         | 0-20 H2O       |
|         |       |           | OUT_SCALE |         | 0-156 Cutf/min |
|         |       |           | L_TYPE    |         | SQR ROOT       |
| LD302-3 | AI    | FT-100B   | MODE_BLK  | Target  | AUTO           |
|         |       |           | XD_SCALE  |         | 0-200 in H2O   |
|         |       |           | OUT_SCALE |         | 0-495 Cutf/min |
|         |       |           | L_TYPE    |         | SQR ROOT       |
|         | ARTH  | FY-100    | MODE_BLK  | Target  | AUTO           |
|         |       |           | PV_UNIT   |         | GAL/min        |
|         |       |           | OUT_UNIT  |         | GAL/min        |

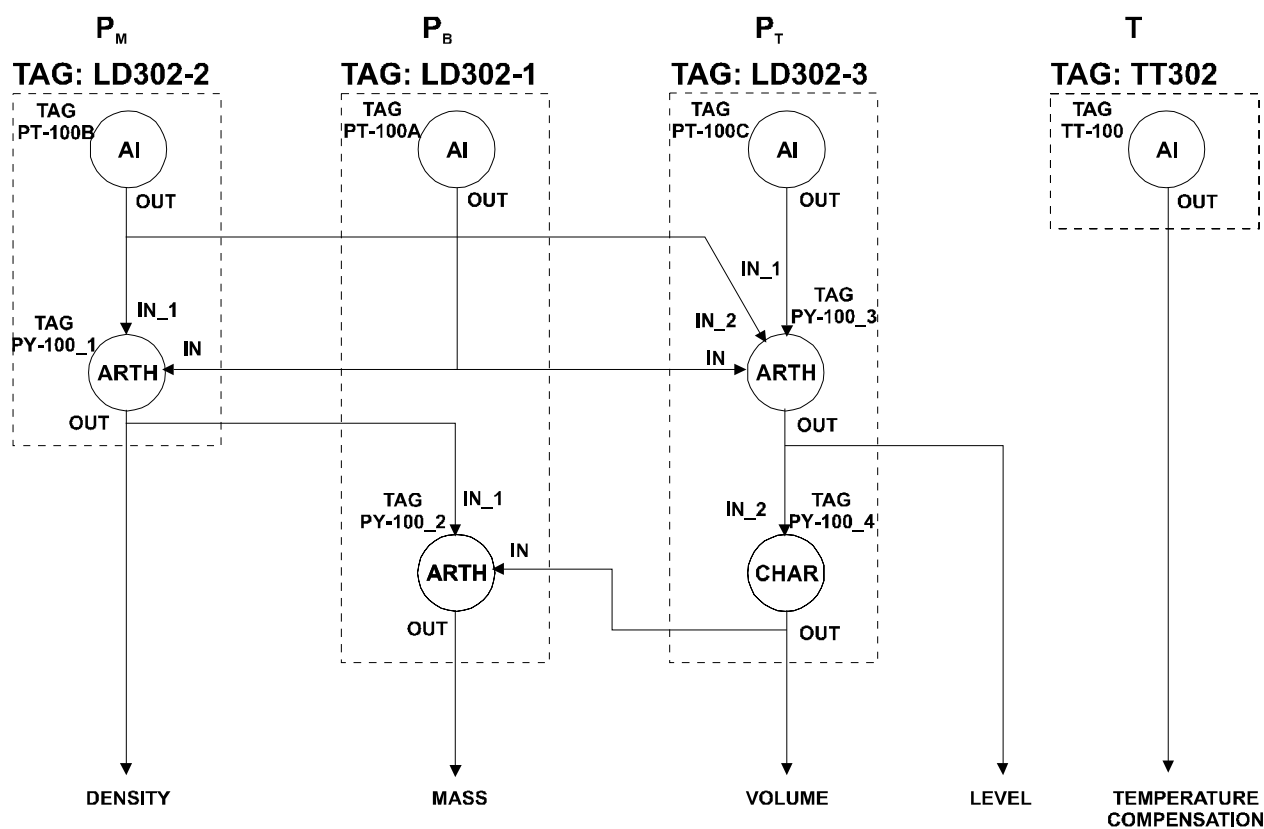
| Device | Block | Block Tag | Parameter   | Element | Value                             |
|--------|-------|-----------|-------------|---------|-----------------------------------|
|        |       |           | ARITH_TYPE  |         | 2 (flow comp. square root – AGA3) |
|        |       |           | GAIN_IN_1   |         | 1                                 |
|        |       |           | GAIN        |         | 1                                 |
|        |       |           | RANGE_LO    |         | 400                               |
|        |       |           | RANGE_HI    |         | 600                               |
|        |       |           | COMP_HI_LIM |         | + INF                             |
|        |       |           | COMP_LO_LIM |         | - INF                             |
|        | INT   | FQ-100    | MODE_BLK    | Target  | AUTO                              |
|        |       |           | OUT_UNITS   |         | GAL                               |
| TT302  | AI    | TT-100    | MODE_BLK    | Target  | AUTO                              |
|        |       |           | XD_SCALE    | UNIT    | K                                 |

### Hydrostatic Tank Gauging



FBMANUAL\_16

## Corresponding Configuration



FBMANUAL\_17

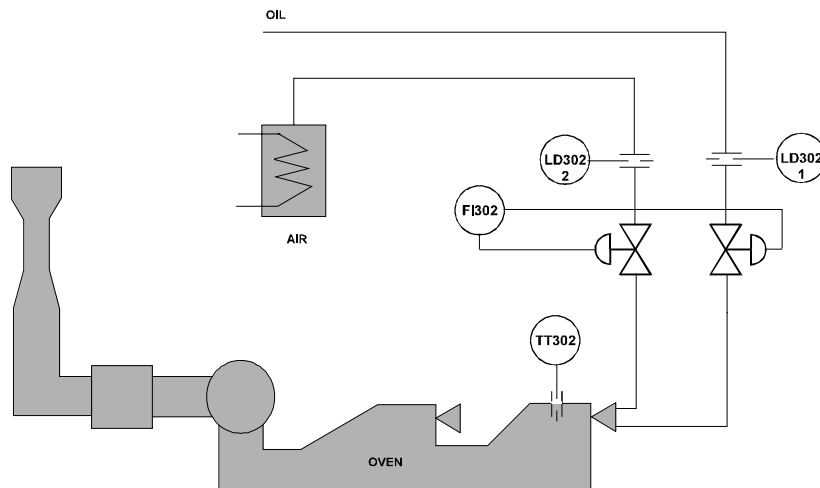
## Parameterization

| Device  | Block | Block Tag | Parameter   | Element | Value                      |
|---------|-------|-----------|-------------|---------|----------------------------|
| LD302-2 | AI    | PT-100B   | MODE_BLK    | Target  | AUTO                       |
|         |       |           | XD_SCALE    | UNIT    | Pa                         |
|         |       |           | OUT_SCALE   |         | 0-156 Cutf/min             |
|         |       |           | L_TYPE      |         | SQR ROOT                   |
|         | ARTH  | PY-100_1  | MODE_BLK    | Target  | AUTO                       |
|         |       |           | OUT_UNIT    |         | Kg/m <sup>3</sup>          |
|         |       |           | ARITH_TYPE  |         | 7 (traditional summer)     |
|         |       |           | GAIN_IN_1   |         | 1                          |
|         |       |           | GAIN        |         | 1/(H2*g)                   |
|         |       |           | RANGE_LO    | Target  | 20                         |
|         |       |           | RANGE_HI    |         | -10                        |
| LD302-1 | AI    | PT-100A   | MODE_BLK    | Target  | AUTO                       |
|         |       |           | XD_SCALE    | UNIT    | Pa                         |
|         | ARTH  | PY-100_2  | MODE_BLK    | Target  | AUTO                       |
|         |       |           | PV_UNIT     |         | m <sup>3</sup>             |
|         |       |           | OUT_UNIT    |         | Ton                        |
|         |       |           | ARITH_TYPE  |         | 5 (traditional mult. div.) |
|         |       |           | GAIN_IN_2   |         | 1                          |
|         |       |           | GAIN        |         | 1                          |
|         |       |           | COMP_HI_LIM |         | + INF                      |
|         |       |           | COMP_LO_LIM |         | - INF                      |

| Device  | Block    | Block Tag | Parameter  | Element              | Value               |
|---------|----------|-----------|------------|----------------------|---------------------|
| LD302-3 | AI       | PT-100C   | MODE_BLK   | Target               | AUTO                |
|         |          |           | XD_SCALE   | UNIT                 | Pa                  |
|         | ARTH     | PY-100_3  | MODE_BLK   | Target               | AUTO                |
|         |          |           | PV_UNIT    |                      | mH2O                |
|         |          |           | OUT_UNIT   |                      | m                   |
|         |          |           | ARITH_TYPE |                      | 9 (HTG comp. level) |
|         |          |           | GAIN       |                      | H2                  |
|         |          |           | BIAS       |                      | H1                  |
|         |          |           | RANGE_LO   |                      | 20                  |
|         | RANGE_HI |           | -10        |                      |                     |
|         | CHAR     | PY-100_4  | MODE_BLK   | Target               | AUTO                |
|         |          |           | X_UNITS    |                      | m                   |
|         |          |           | Y_UNIS     |                      | M <sup>3</sup>      |
| CURVE_X |          |           |            | 0,20,40,50,70,80,100 |                     |
| CURVE_Y |          |           |            | 0,20,40,50,70,80,100 |                     |
| TT302   | AI       | TT-100    | MODE_BLK   | Target               | AUTO                |



## Combustion Control with Double Cross Limits



FBMANUAL\_18

This type of control tries to keep the air-fuel ratio strictly within the limits. A sudden change on the load would require a corresponding air and fuel variation.

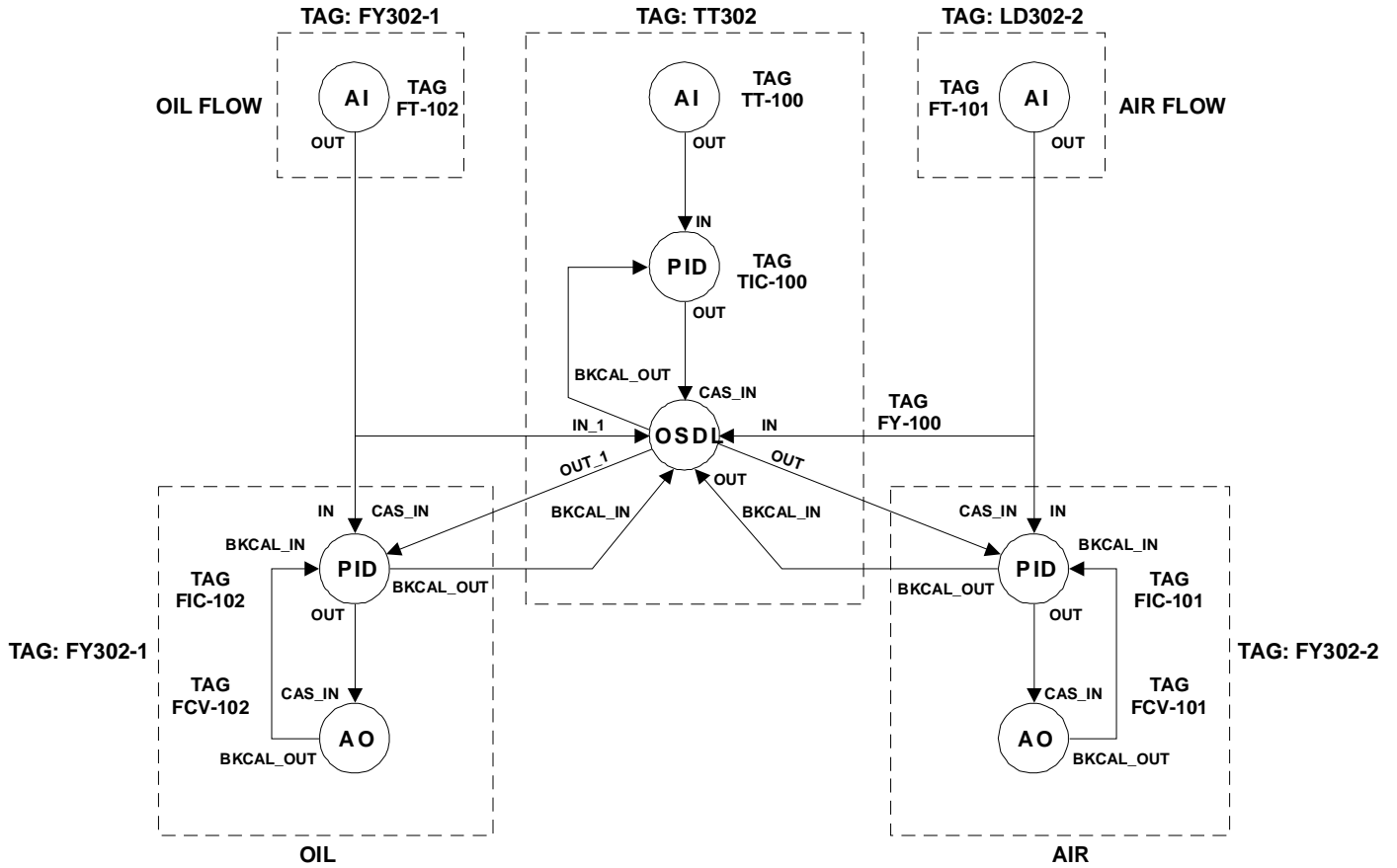
The master controller supplies Setpoint values to air and fuel flow controllers while it is stabilized. During the transitions, the air flow determines the maximum upper and lower limits that the fuel flow cannot exceed. The same occurs for the air flow, whose limits are fixed by those of the fuel flow. In this way, even when there is a large shift in the master signal the air/fuel ratio is maintained very close to the desired value.

The “double cross limits” prevents that the fastest variable unbalance the desired ratio. This strategy is implemented using the OSDL Block, that generates the setpoint for the air and fuel controllers based on the output of the master controller, air flow ( $Q_a \rightarrow IN$  parameter) and fuel flow ( $Q_c \rightarrow IN\_1$  parameter).

This configuration allows the air flow setpoint to vary just between  $(Q_c-LO\_BIAS)$  and  $(Q_c+HI\_BIAS)$  and the fuel flow setpoint to vary just between  $(Q_a-LO\_BIAS\_1)$  and  $(Q_a+HI\_BIAS\_1)$ .

When the double crossed limit is interfered with, then an unexpected change in the consumption upsets the desired ratio and in the same way when there is a transient in the master signal of the air/fuel flow it is able to be maintained very close to the desired ratio.

### Corresponding Configuration

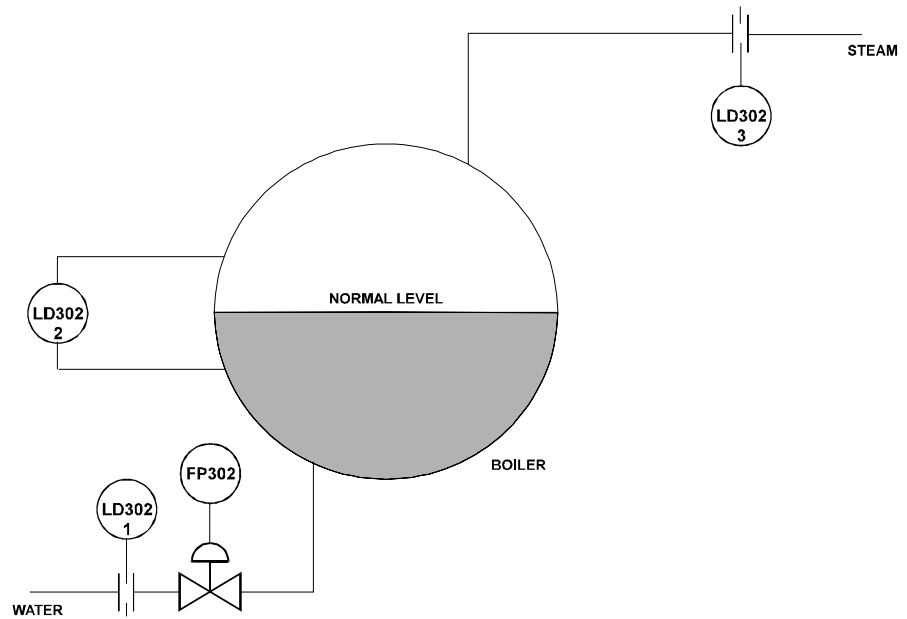


### Parameterization

| Device  | Block | Block Tag | Parameter    | Element       | Value           |
|---------|-------|-----------|--------------|---------------|-----------------|
| LD302-1 | AI    | FT-102    | MODE_BLK     | Target        | AUTO            |
|         |       |           | XD_SCALE     |               | 0-300 mm H2O    |
|         |       |           | OUT_SCALE    |               | 0-100 %         |
| LD302-2 | AI    | FT-101    | MODE_BLK     | Target        | AUTO            |
|         |       |           | XD_SCALE     |               | 0-200 inH2O     |
|         |       |           | OUT_SCALE    |               | 0-100 %         |
| TT302   | AI    | TT-100    | MODE_BLK     | Target        | AUTO            |
|         |       |           | XD_SCALE     |               | 0-600 °C        |
|         |       |           | L_TYPE       |               | direct          |
|         | PID   | TIC-100   | MODE_BLK     | Target        | AUTO            |
|         |       |           | PV_SCALE     |               | 0-600 °C        |
|         |       |           | OUT_SCALE    |               | 0-100 %         |
|         |       |           | CONTROL_OPTS | Direct-acting | Reverse         |
|         | OSDI  | FY-100    | MODE_BLK     | Target        | CAS             |
|         |       |           | OUT_TYPE     |               | Dynamic limiter |
|         |       |           | HI_GAIN      |               | 1               |
|         |       |           | HI_BIAS      |               | 5%              |
|         |       |           | LO_GAIN      |               | 1               |
|         |       | LO_BIAS   |              | 2%            |                 |
|         |       | HI_GAIN_1 |              | 1             |                 |

| Device   | Block | Block Tag | Parameter    | Element       | Value   |
|----------|-------|-----------|--------------|---------------|---------|
|          |       |           | HI_BIAS_1    |               | 2%      |
|          |       |           | LO_GAIN_1    |               | 1       |
|          |       |           | LO_BIAS_1    |               | 5%      |
|          |       |           | GAIN         |               | 1       |
|          |       |           | GAIN_1       |               | 1       |
| FY302-1  | PID   | FIC_102   | MODE_BLK     | Target        | CAS     |
|          |       |           | PV_SCALE     |               | 0-100 % |
|          |       |           | OUT_SCALE    |               | 0-100 % |
|          |       |           | CONTROL_OPTS | Direct-acting | Reverse |
|          | AO    | FCV-102   | MODE_BLK     | Target        | CAS     |
|          |       |           | PV_SCALE     |               | 0-100 % |
| XD_SCALE |       |           |              | 0-100 %       |         |
| FY302-2  | PID   | FIC-101   | MODE_BLK     | Target        | CAS     |
|          |       |           | PV_SCALE     |               | 0-100 % |
|          |       |           | OUT_SCALE    |               | 0-100 % |
|          |       |           | CONTROL_OPTS | Direct-acting | Reverse |
|          | AO    | FCV-101   | MODE_BLK     | Target        | CAS     |
|          |       |           | PV_SCALE     |               | 0-100 % |
| XD_SCALE |       |           |              | 0-100 %       |         |

### 3 Element Boiler Level/Feedwater Control

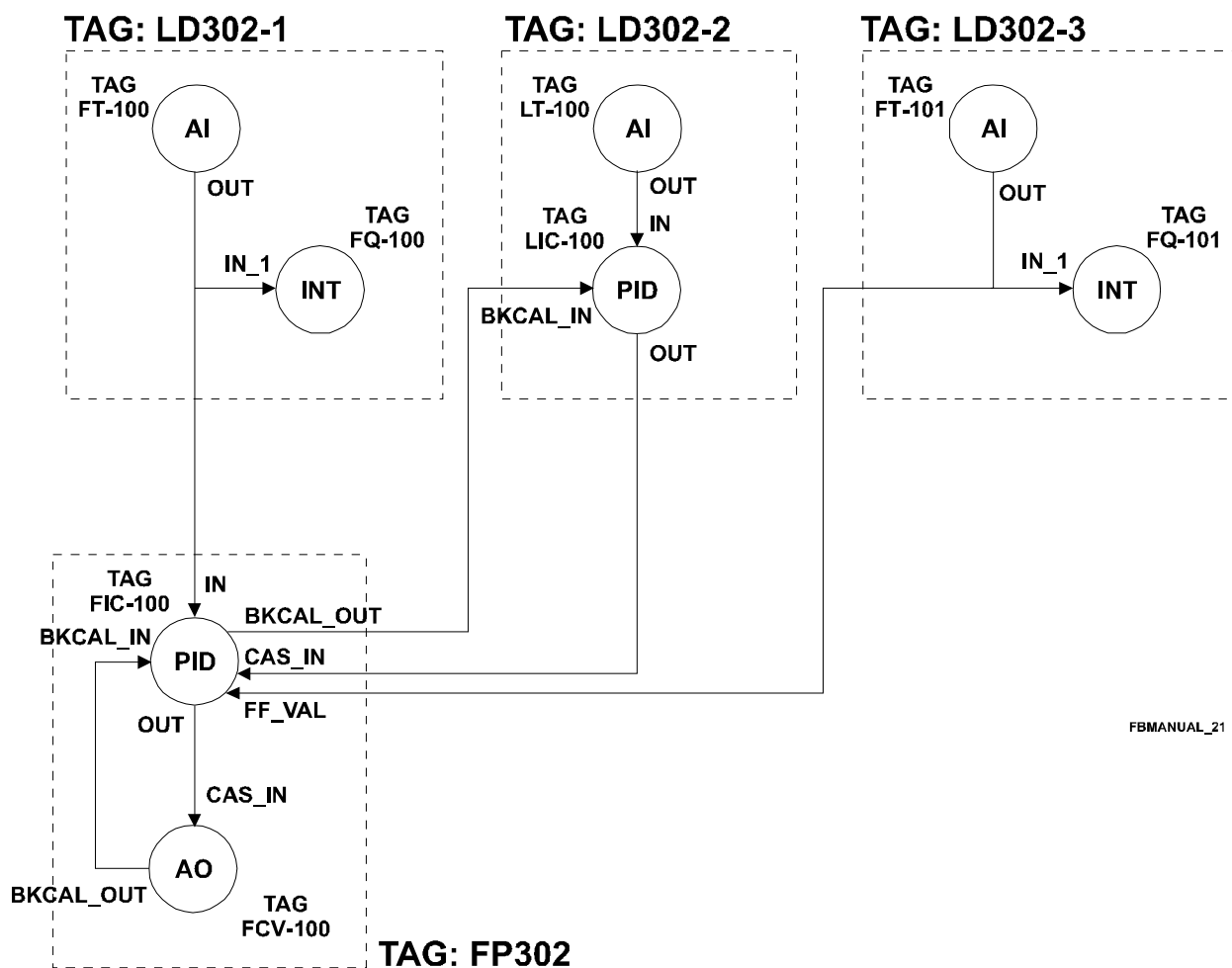


FBMANUAL\_20

This control loop uses feed forward control combined with cascade control. In this case the feed forward steam flow correction is done for steam flow and the feedback is done through the transmitter and the level controller LIC-100, whilst the feed water flow is maintained by the secondary cascade control loop of water.

In this loop the drum level controller LIC-100 provides the setpoint for the feedwater controller FIC-100 in cascade. Any disturbance in feed water flow is corrected by a feed forward arrangement in FIC-100. By connecting FT-101 to the FF\_VAL input of FIC-100, any change in flow adjusts the FIC-100 output directly. The FF\_SCALE is set -100 to +100 % to provide a fixed 50 % bias, giving a 50 % setpoint when load and manipulated flow are perfectly matched.

### Corresponding Configuration



FBMANUAL\_21

### Parameterization

| Device  | Block | Block Tag | Parameter    | Element       | Value                    |
|---------|-------|-----------|--------------|---------------|--------------------------|
| LD302-2 | AI    | LT-100    | MODE_BLK     | Target        | AUTO                     |
|         |       |           | XD_SCALE     |               | 642 -140 mmH2O           |
|         |       |           | OUT_SCALE    |               | 0-100 %                  |
|         | PID   | LIC-100   | MODE_BLK     | Target        | AUTO                     |
|         |       |           | PV_SCALE     |               | 0-100 %                  |
|         |       |           | OUT_SCALE    |               | 0-150 Ton/hr             |
|         |       |           | CONTROL_OPTS | Direct-acting | Reverse                  |
| LD302-3 | AI    | FT-101    | MODE_BLK     | Target        | AUTO                     |
|         |       |           | XD_SCALE     |               | 0-9500 mm H2O            |
|         |       |           | OUT_SCALE    |               | 0-150 Ton/hr             |
|         |       |           | L_TYPE       |               | Indirect, Square Root    |
|         | INTG  | FQ-101    | MODE_BLK     | Target        | AUTO                     |
|         |       |           | TIME_UNIT1   |               | Hours                    |
|         |       |           | OUT_UNITS    |               | Ton                      |
| LD302-1 | AI    | FT-100    | MODE_BLK     | Target        | AUTO                     |
|         |       |           | XD_SCALE     |               | 0-3500 mmH2O             |
|         |       |           | OUT_SCALE    |               | 0-150 m <sup>3</sup> /hr |

| Device | Block | Block Tag | Parameter    | Element       | Value                    |
|--------|-------|-----------|--------------|---------------|--------------------------|
|        |       |           | L_TYPE       |               | Indirect, Square Root    |
|        | INTG  | FQ-100    | MODE_BLK     | Target        | AUTO                     |
|        |       |           | TIME_UNIT1   |               | Hours                    |
|        |       |           | OUT_UNITS    |               | m <sup>3</sup>           |
| FP302  | PID   | FIC-100   | MODE_BLK     | Target        | CAS                      |
|        |       |           | PV_SCALE     |               | 0-150 m <sup>3</sup> /hr |
|        |       |           | OUT_SCALE    |               | 0-100 %                  |
|        |       |           | CONTROL_OPTS | Direct-acting | Reverse                  |
|        |       |           | FF_SCALE     |               | -100 to + 100 %          |
|        |       |           | FF_GAIN      |               | 1                        |
|        | AO    | FCV_100   | MODE_BLK     | Target        | CAS                      |
|        |       |           | PV_SCALE     |               | 0-100 %                  |
|        |       |           | XD_SCALE     |               | 3-15 psi                 |