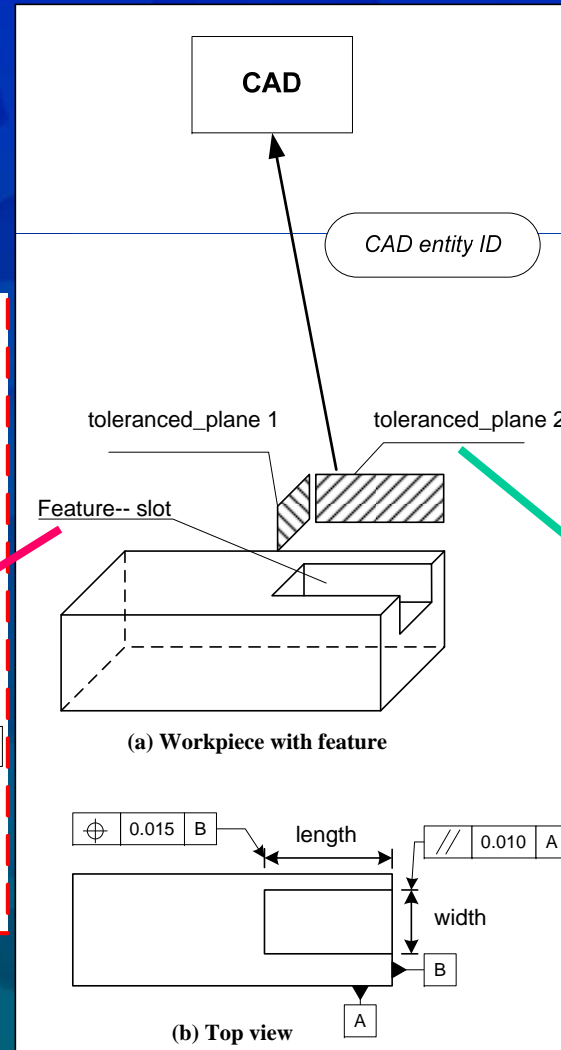
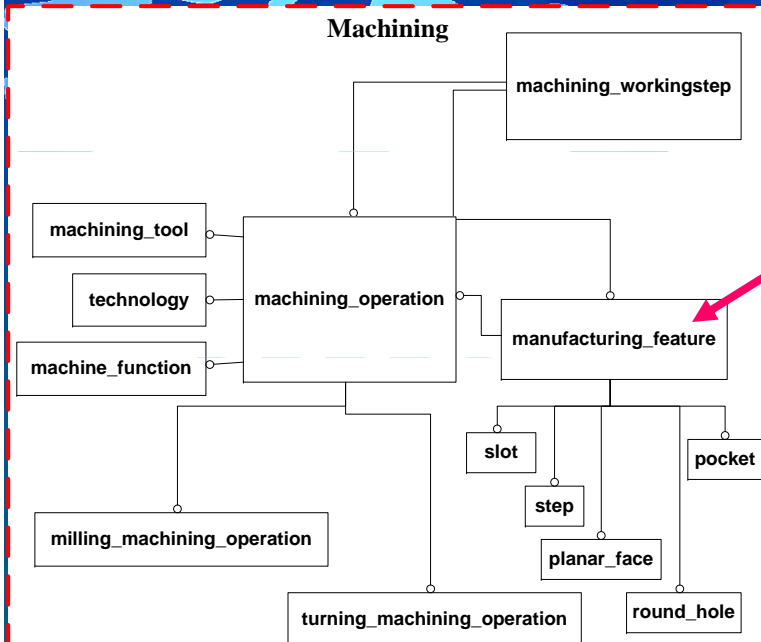




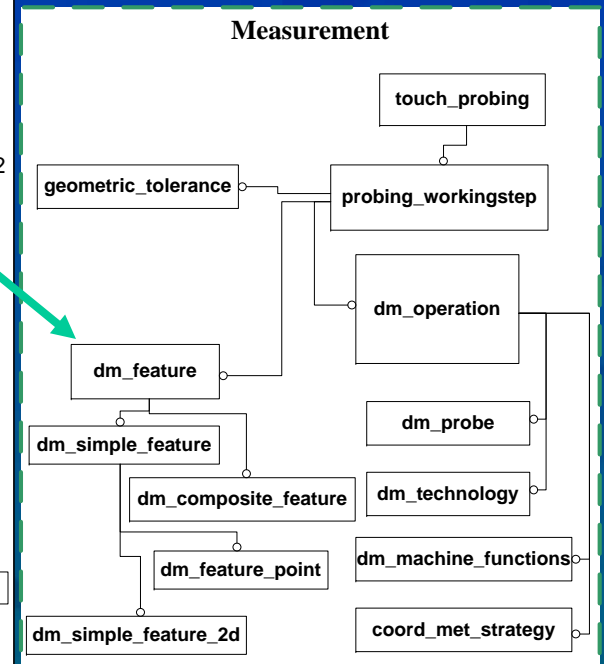
Machining and Measurement

Machine requirement → what machine to choose

Tool requirement → what cutter to choose → Tool path, feedrate, spindle speed...

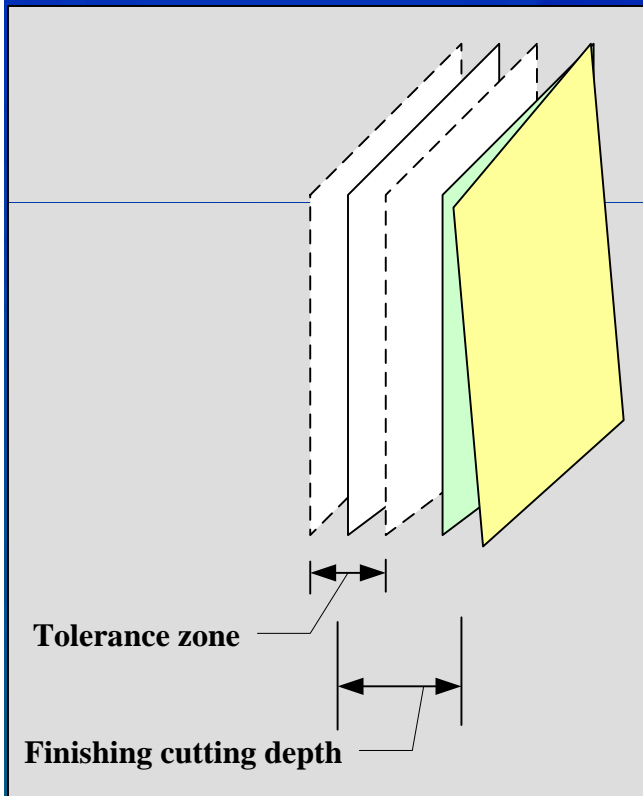


Indicate: when
where
what

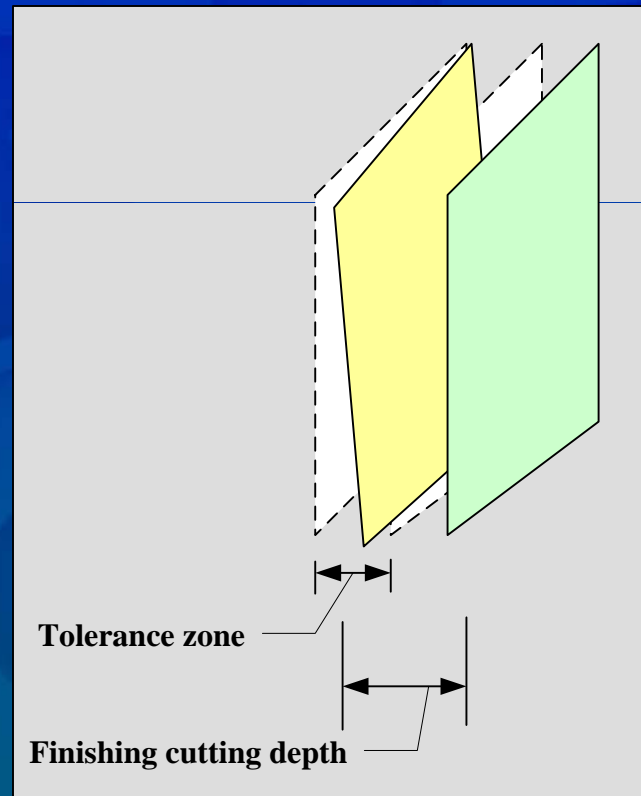




Tool Path Compensation



Case-1



Case-2

Compensating the parameter of the tool path

Compensating a new tool path

Design and process planning

