

# Robotics I – Homework 1

Hand out: November 15, 2011; Return on: **November 22, 2011**

Figures 1 and 2 show different views of the Comau Smart5 NJ4 170 robot for spot welding. This is a 6R anthropomorphic manipulator with a fully symmetric geometry, having a parallelogram structure for motion transmission (for links 2 and 3), and a so-called *hollow wrist* that allows to keep welding gun service and power cables all inside the robot. This wrist is non-spherical, with the last three joint axes intersecting two by two.



Figure 1: Rear and frontal CAD views of the Comau NJ4 robot



Figure 2: Perspective and side views of the Comau NJ4 robot

In the following analysis, neglect the presence of the parallelogram structure (a closed kinematic chain).

1. Assign the robot frames according to the Denavit-Hartenberg convention and provide the associated table of parameters. Use symbols for numerically unknown quantities. Note that the twist angles of joint axes 5 and 6 can be chosen as equal and opposite (their absolute value, which is  $60^\circ$ , should be left in symbolic form).
2. Compute (possibly with the help of a symbolic algebraic and manipulation program) the direct kinematics in the form

$${}^0T_6(\mathbf{q}) = \begin{pmatrix} {}^0R_6(\mathbf{q}) & {}^0p_6(\mathbf{q}) \\ \mathbf{0}^T & 1 \end{pmatrix} = \begin{pmatrix} {}^0n_6(\mathbf{q}) & {}^0s_6(\mathbf{q}) & {}^0a_6(\mathbf{q}) & {}^0p_6(\mathbf{q}) \\ 0 & 0 & 0 & 1 \end{pmatrix}$$

where  $\mathbf{q} = (q_1 \ q_2 \ q_3 \ q_4 \ q_5 \ q_6)^T$ .

3. Draw a sketch of the robot in the *zero configuration* ( $\mathbf{q} = \mathbf{0}$ ), as it follows from the chosen frame assignment. In this configuration, give the expression of the position of origin  $O_6$  of the end-effector frame and of the position of intersection point  $H$  between joint axes 4 and 5.

[estimated time: 210 minutes (open books)]



# Comau Smart5 NJ4 170



DH frame assignment, parameter table, direct kinematics, and zero configuration

# Comau Smart5 NJ4 170





# Comau Smart5 NJ4 170

---

## The Spot Welding Reference

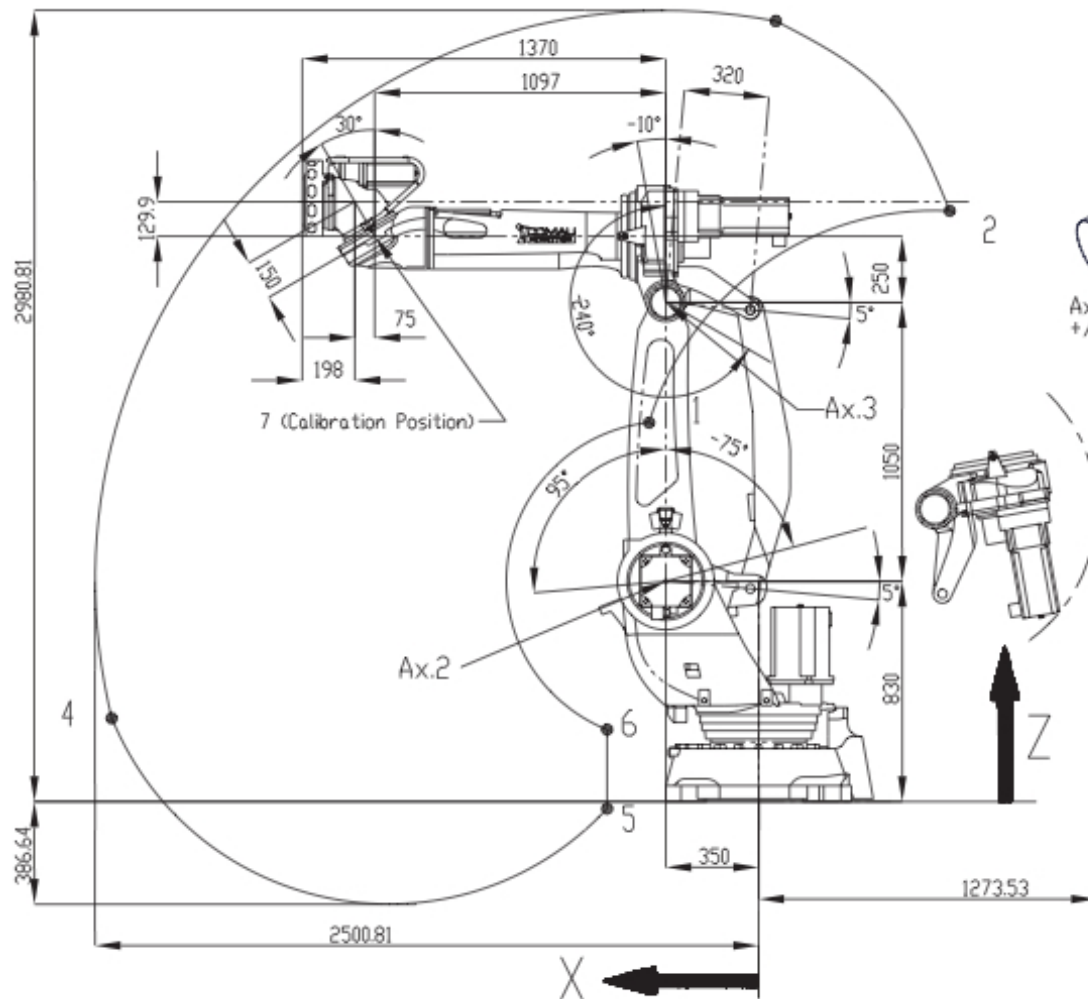
The third generation of "hollow wrist" robot family signed Comau Robotics: the new spot welding reference. Ten years experience in designing hollow wrist robots together with the new parallelogram structure of latest generation of industrial robots: SMART5 NJ4. The structure of the robot NJ4 "hollow wrist" makes it possible to keep all the welding gun service and power cables inside the robot. It provides agility, penetrability and applicability characteristics that, at present, cannot be found elsewhere on the market.

## Technical Features

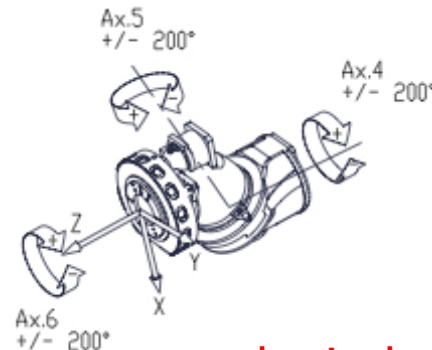
- integrated dressing from the base to the flange of the robot
- parallelogram structure with no balancing mass
- perfect symmetry of the mechanical structure
- strong, agile and streamlined kinetic structure
- low power consumption: energy saving, up to 25% more
- possibility of installation both on floor and at ceiling
- AC brushless motors with incremental encoders
- braking system (removable axis by axis)

**NJ4 170 - 2.5:** maximum horizontal reach 2500 mm, repeatability 0.10 mm

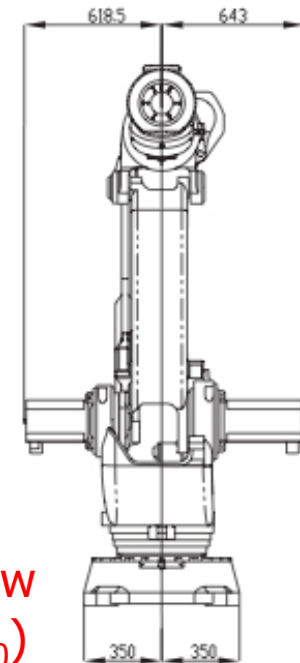
# Comau Smart5 NJ4 170 workspace



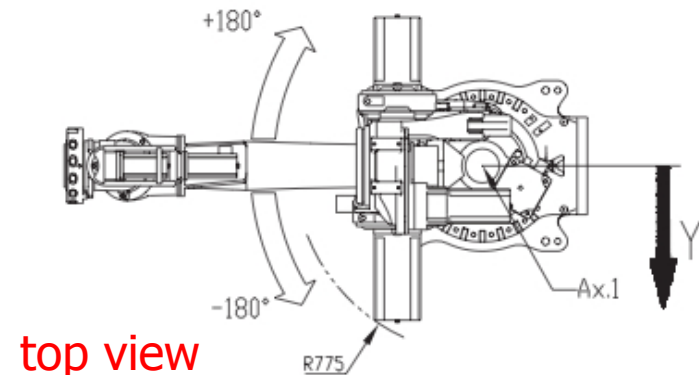
left-side view



non-spherical  
wrist (axes 4-6)

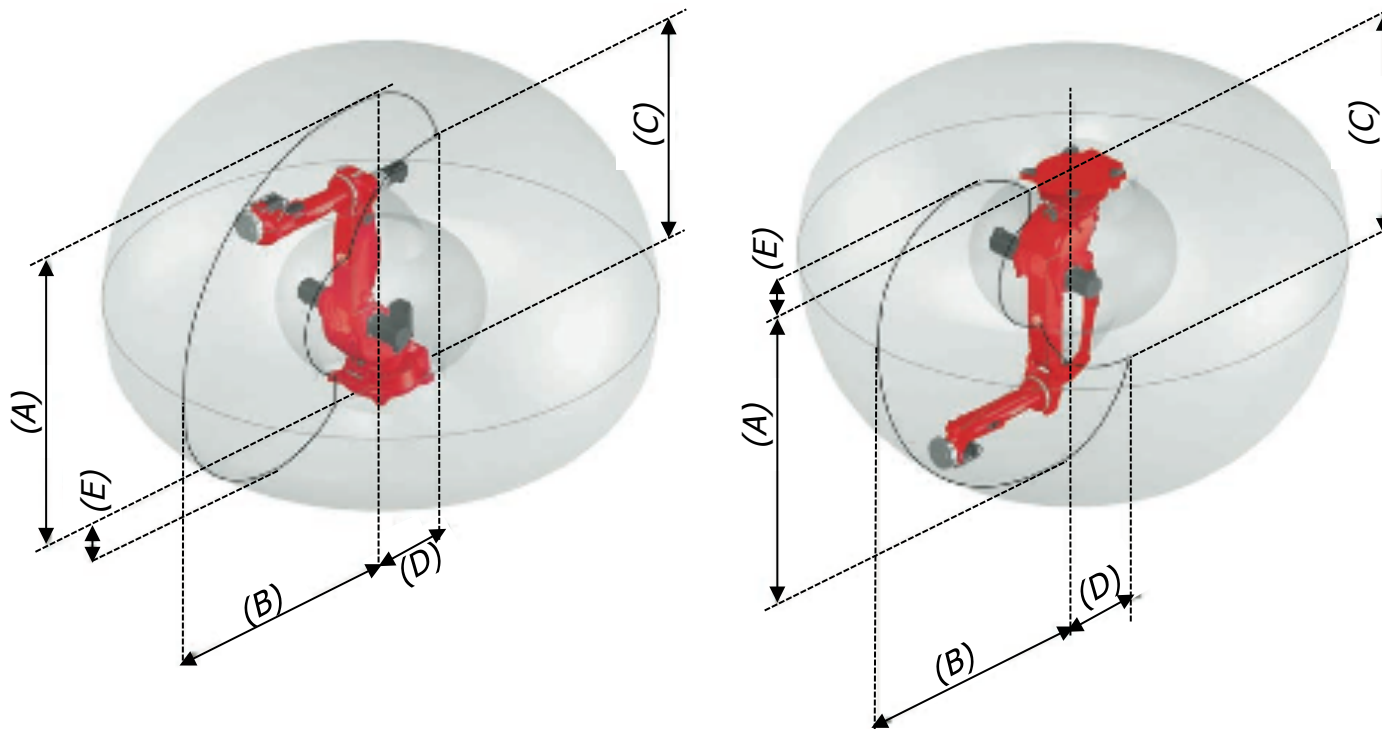


front view  
(from  $X_0$ )



top view

# Comau Smart5 NJ4 170 envelope

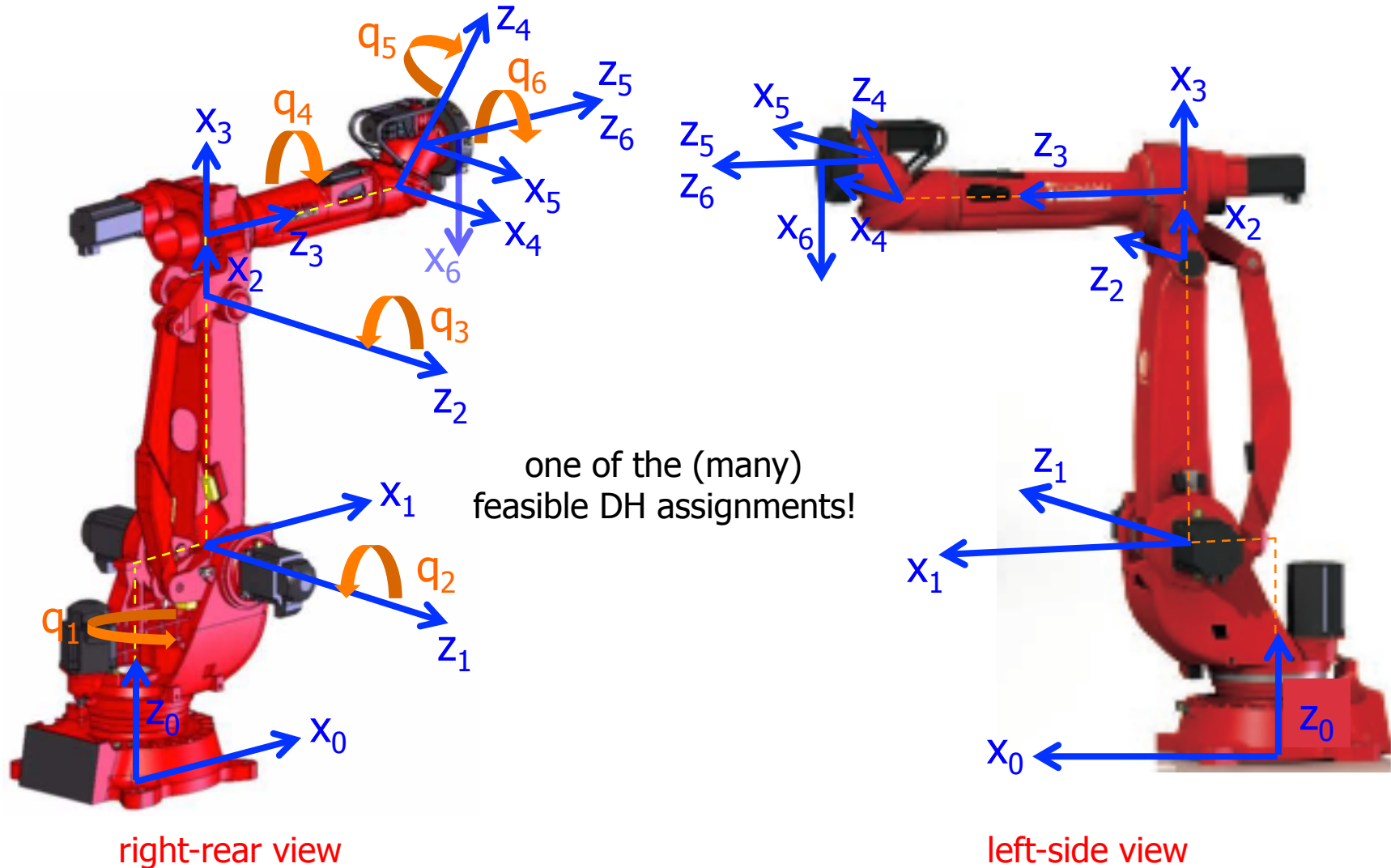


| A    | B    | C    | D   | E   |      |
|------|------|------|-----|-----|------|
| 2981 | 2501 | 2226 | 720 | 327 | [mm] |

**Note:** these data are NOT related to the DH parameters of the following table!

# Comau Smart5 NJ4 170

## DH frames

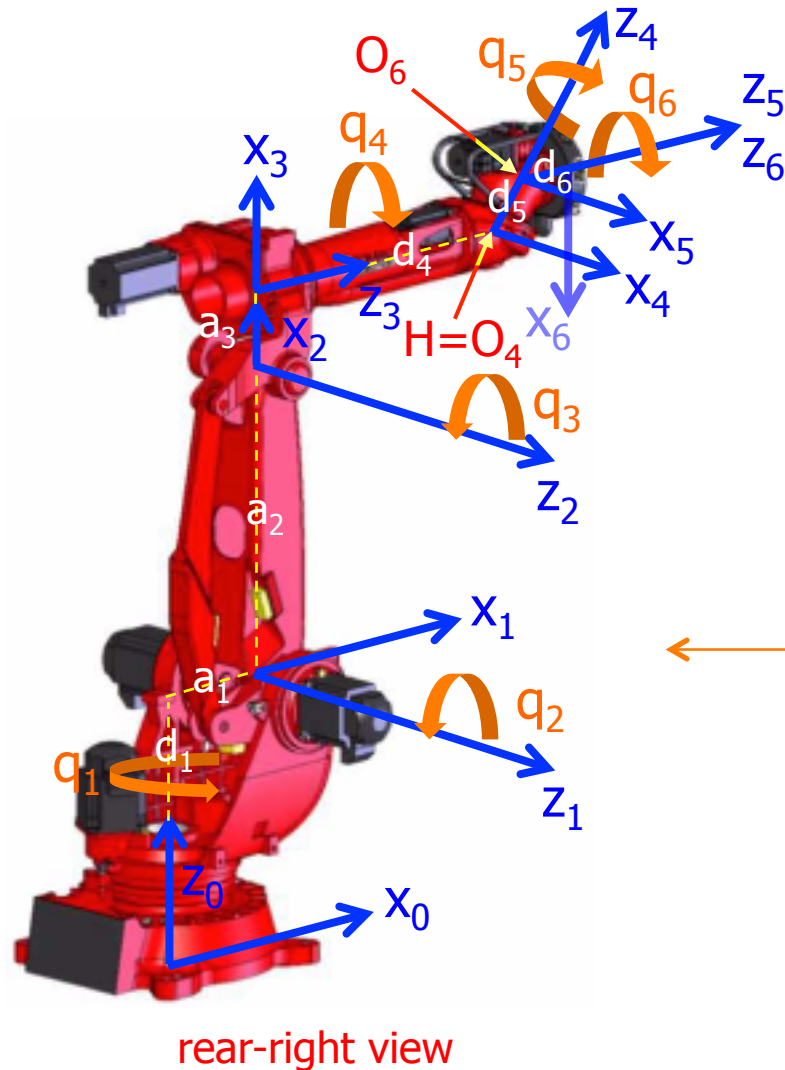






# Comau Smart5 NJ4 170

## DH table of parameters



rear-right view

| i | $\alpha_i$               | $a_i$     | $d_i$     | $\theta_i$    |
|---|--------------------------|-----------|-----------|---------------|
| 1 | $\pi/2$                  | $a_1 > 0$ | $d_1 > 0$ | $q_1 = 0$     |
| 2 | 0                        | $a_2 > 0$ | 0         | $q_2 = \pi/2$ |
| 3 | $\pi/2$                  | $a_3 > 0$ | 0         | $q_3 = 0$     |
| 4 | $\alpha_4 = \alpha > 0$  | 0         | $d_4 > 0$ | $q_4 = \pi/2$ |
| 5 | $\alpha_5 = -\alpha < 0$ | 0         | $d_5 > 0$ | $q_5 = 0$     |
| 6 | 0                        | 0         | $d_6 > 0$ | $q_6 = \pi/2$ |

← in the configuration shown →

point H (origin of frame 4)

$$\begin{bmatrix} {}^0p_4 \\ 1 \end{bmatrix} = {}^0A_1(q_1) {}^1A_2(q_2) {}^2A_3(q_3) {}^3A_4(q_4) \begin{bmatrix} 0 \\ 0 \\ 0 \\ 1 \end{bmatrix}$$

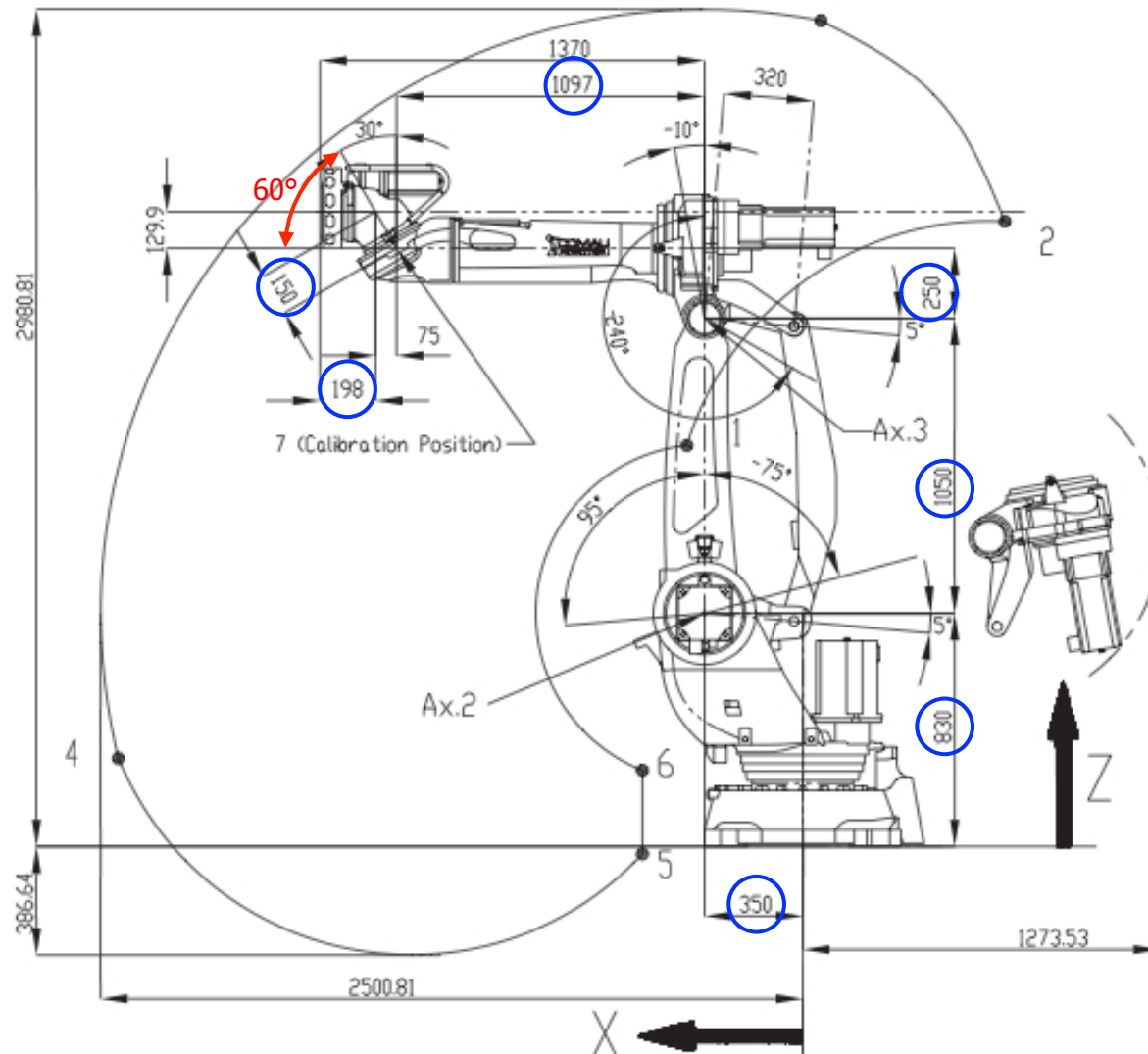
point  $O_6$  (origin of frame 6)

$$\begin{bmatrix} {}^0p_6 \\ 1 \end{bmatrix} = {}^0A_1(q_1) {}^1A_2(q_2) {}^2A_3(q_3) {}^3A_4(q_4) {}^4A_5(q_5) {}^5A_6(q_6) \begin{bmatrix} 0 \\ 0 \\ 0 \\ 1 \end{bmatrix}$$



# Comau Smart5 NJ4 170

mapping numerical values for the DH parameters

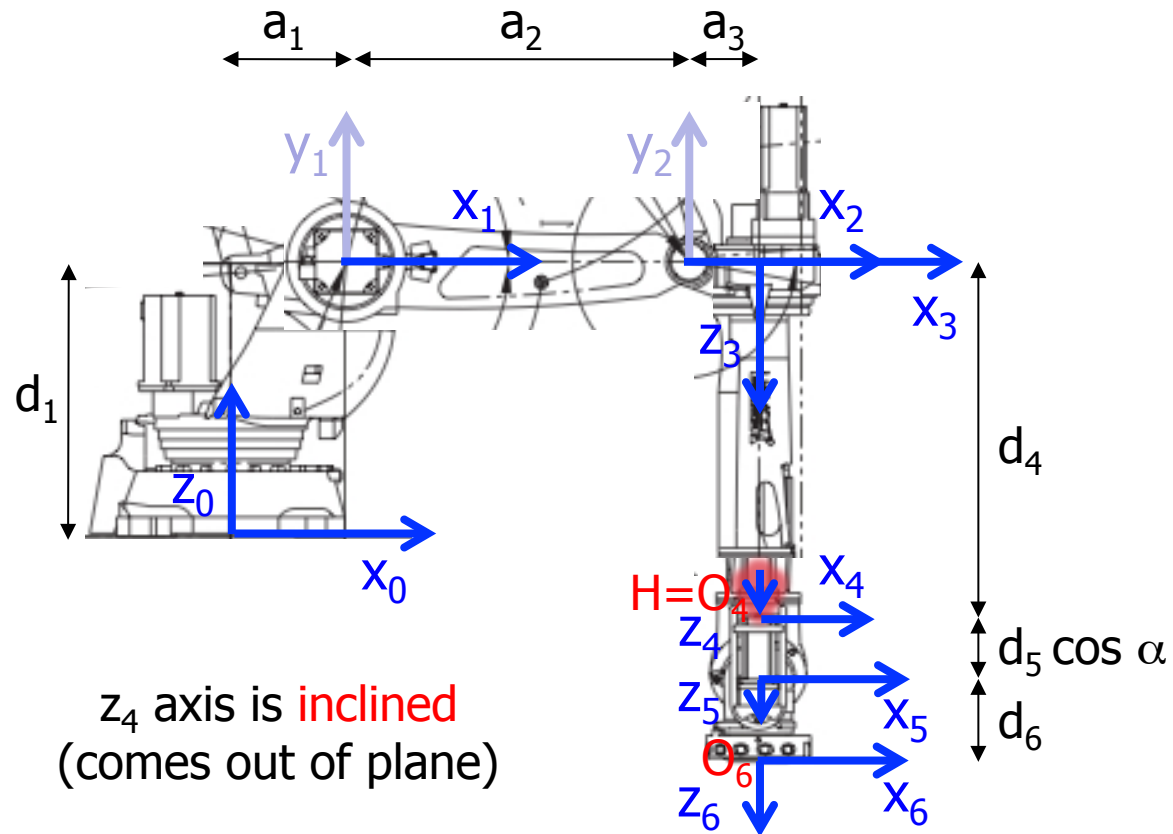


[mm]

|          |            |
|----------|------------|
| $a_1$    | 350        |
| $a_2$    | 1050       |
| $a_3$    | 250        |
| $d_1$    | 830        |
| $d_4$    | 1097       |
| $d_5$    | 150        |
| $d_6$    | 198        |
| $\alpha$ | $60^\circ$ |

# Comau Smart5 NJ4 170

## DH zero configuration



# Comau Smart5 NJ4 170

## DH homogenous transformation matrices



from Matlab (symbolic) program

A1 =

```
[ cos(q1), 0, sin(q1), a1*cos(q1)]
[ sin(q1), 0, -cos(q1), a1*sin(q1)]
[      0, 1,      0,      d1]
[      0, 0,      0,      1]
```

A2 =

```
[ cos(q2), -sin(q2), 0, a2*cos(q2)]
[ sin(q2),  cos(q2), 0, a2*sin(q2)]
[      0,      0, 1,      0]
[      0,      0, 0,      1]
```

A3 =

```
[ cos(q3), 0, sin(q3), a3*cos(q3)]
[ sin(q3), 0, -cos(q3), a3*sin(q3)]
[      0, 1,      0,      0]
[      0, 0,      0,      1]
```

A4 =

```
[ cos(q4), -cos(alf)*sin(q4), sin(alf)*sin(q4), 0]
[ sin(q4),  cos(alf)*cos(q4), -cos(q4)*sin(alf), 0]
[      0,      sin(alf),      cos(alf), d4]
[      0,      0,      0,      1]
```

A5 =

```
[ cos(q5), -cos(alf)*sin(q5), -sin(alf)*sin(q5), 0]
[ sin(q5),  cos(alf)*cos(q5),  cos(q5)*sin(alf), 0]
[      0,      -sin(alf),      cos(alf), d5]
[      0,      0,      0,      1]
```

A6 =

```
[ cos(q6), -sin(q6), 0, 0]
[ sin(q6),  cos(q6), 0, 0]
[      0,      0, 1, d6]
[      0,      0, 0, 1]
```

# Comau Smart5 NJ4 170

## on its direct kinematics



the symbolic output for the whole

$${}^0T_6(\mathbf{q}) = {}^0A_1(q_1) {}^1A_2(q_2) {}^2A_3(q_3) {}^3A_4(q_4) {}^4A_5(q_5) {}^5A_6(q_6)$$

is quite long...

for instance, the symbolic output for the **first** component of  ${}^0p_6(\mathbf{q})$  is

```
cos(q1)*(a1 + a3*cos(q2 + q3) + a2*cos(q2))
- sin(alf)*sin(q1)*(d5*cos(q4) + d6*cos(alf)*cos(q4))
+ d6*sin(q4)*sin(q5) - d6*cos(alf)*cos(q4)*cos(q5)
+ sin(q2 + q3)*cos(q1)*(d4 + d5*cos(alf))
+ d6*(cos(alf)^2 - cos(q5)*(cos(alf)^2 - 1))
+ cos(q2 + q3)*cos(q1)*sin(alf)*(d5*sin(q4) + d6*cos(alf)*sin(q4))
- d6*cos(q4)*sin(q5) - d6*cos(alf)*cos(q5)*sin(q4)
+ cos(q2 + q3)*cos(q1)*sin(alf)*(d5*sin(q4) + d6*cos(alf)*sin(q4))
- d6*cos(q4)*sin(q5) - d6*cos(alf)*cos(q5)*sin(q4)
```

# Comau Smart5 NJ4 170

## on its direct kinematics



the symbolic output for the position of point H is still manageable

```
H =
a1*cos(q1) + d4*(cos(q1)*cos(q2)*sin(q3) + cos(q1)*cos(q3)*sin(q2)) + a2*cos(q1)*cos(q2) + a3*cos(q1)*cos(q2)*cos(q3) - a3*cos(q1)*sin(q2)*sin(q3)
d4*(cos(q2)*sin(q1)*sin(q3) + cos(q3)*sin(q1)*sin(q2)) + a1*sin(q1) + a2*cos(q2)*sin(q1) + a3*cos(q2)*cos(q3)*sin(q1) - a3*sin(q1)*sin(q2)*sin(q3)
d1 - d4*(cos(q2)*cos(q3) - sin(q2)*sin(q3)) + a2*sin(q2) + a3*cos(q2)*sin(q3) + a3*cos(q3)*sin(q2)
```

evaluating then the position of point  $O_6$  at the **zero configuration**

```
P=subs(p, {q1,q2,q3,q4,q5,q6}, {0,0,0,0,0,0})
```

```
P =
```

```

          a1 + a2 + a3
          d5*sin(alf)
d1 - d4 - d6 - d5*cos(alf)
```

similarly, at the **zero configuration**, the position of point H is

```
H =
```

```

a1 + a2 + a3
          0
d1 - d4
```