



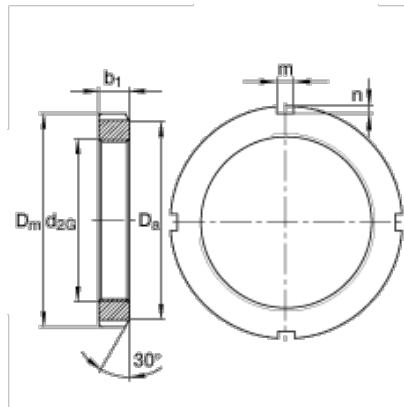
English

- [Lubricant selection](#) | [Application examples](#) | [Housing selection](#) | [Shopping basket](#) | [Basic principles](#) | [Lexicon](#)
- ⇒ Back to [Search result for 'km'](#)
- [Description](#) | [Data sheet](#) | [Send to shopping basket](#)



FAG Locknuts KM2

main dimensions to DIN 981



d_{2G}	M15x1 mm	Thread
D_m	25 mm	
b₁	5 mm	
D_a	21 mm	
m	4 mm	
n	2 mm	
m₁	0,01 kg	Mass, nut
	MB2	Designation, retainer

