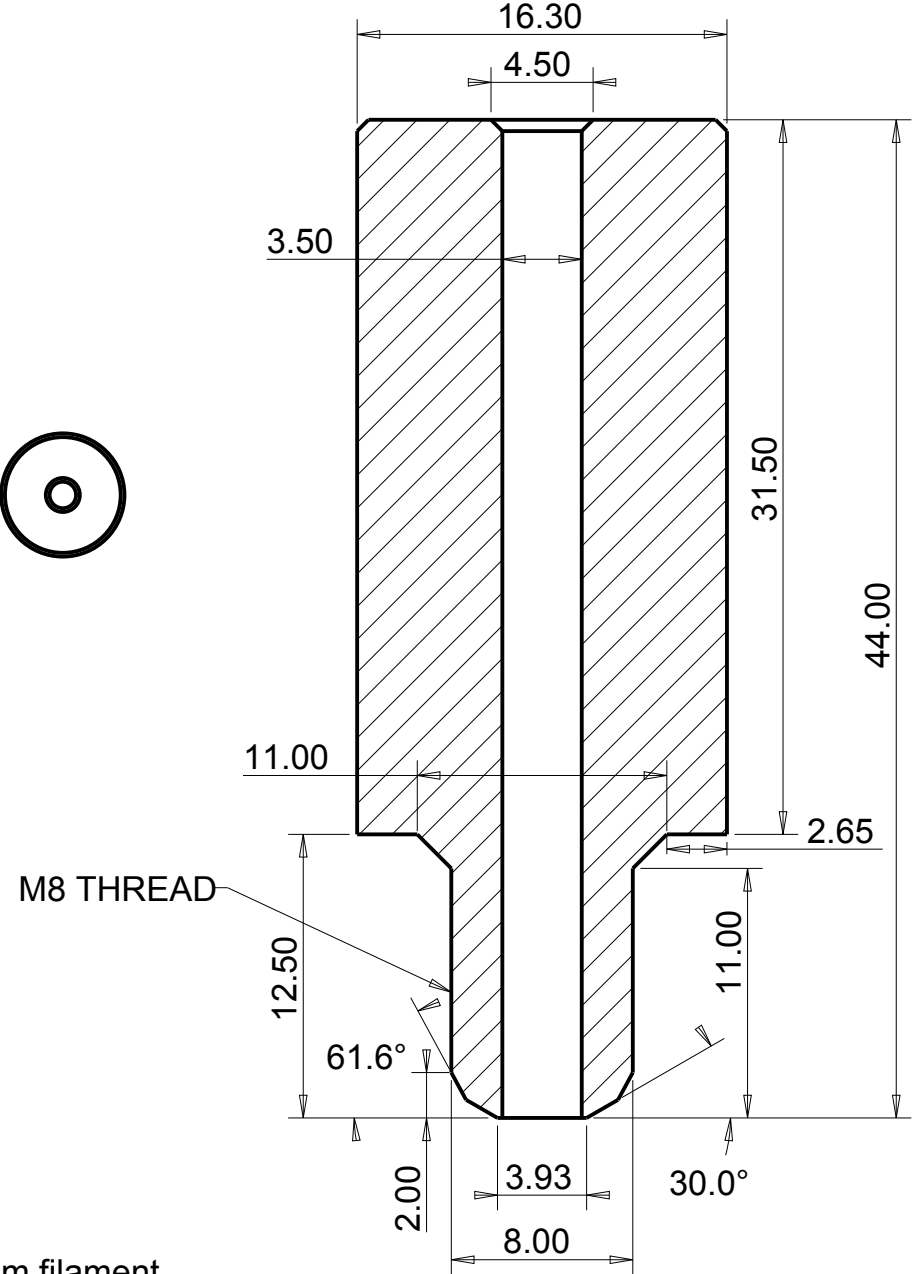
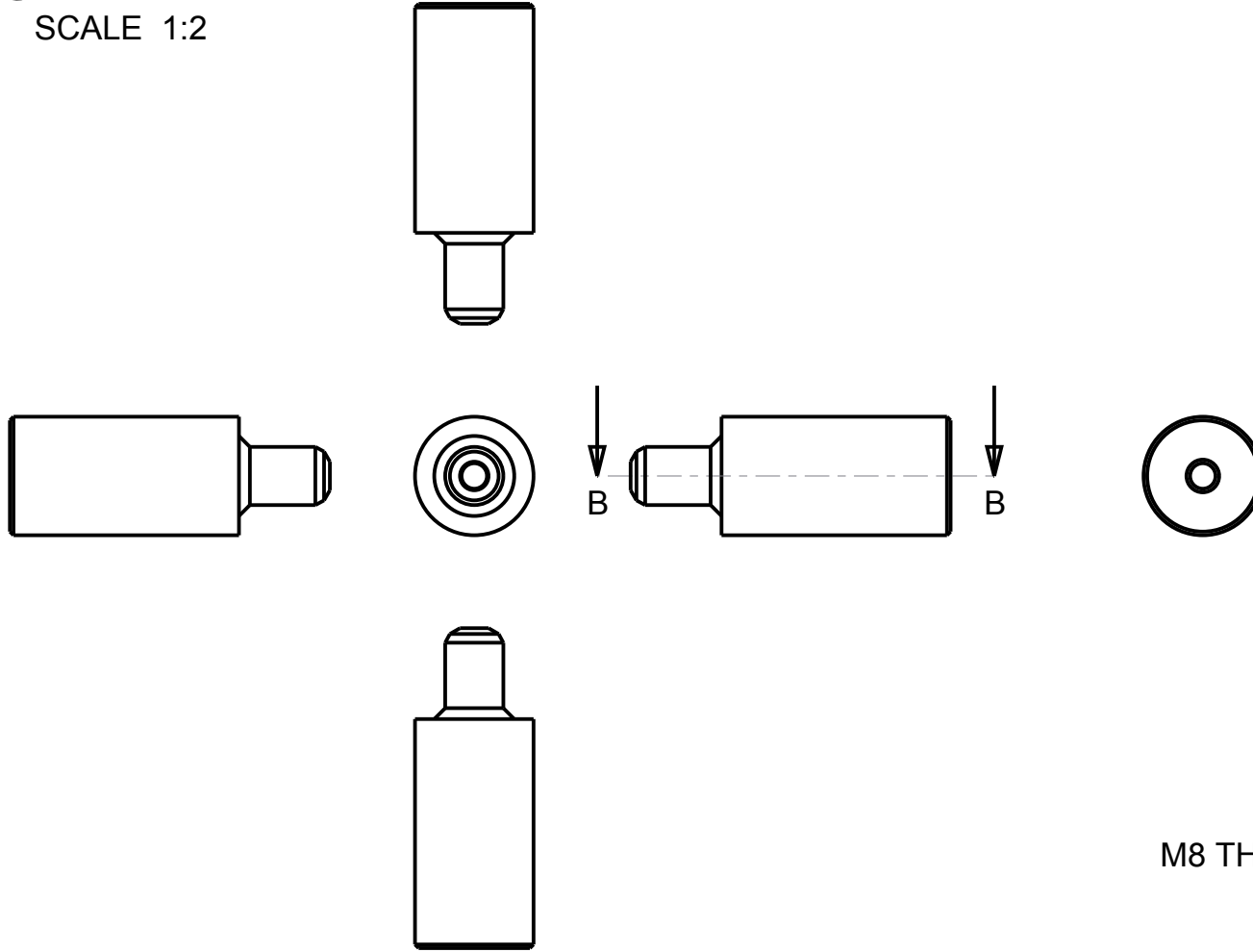




SCALE 1:2



This drawing comes with a 3D CAD file with the same name. The CAD file is leading for tooling and production, the drawing is for reference only.

PTFE Thermal barrier v5 - 2.9mm filament  
Drawn by Camiel Gubbels  
Date: 7 Jan 2011

SECTION B-B  
SCALE 3:1