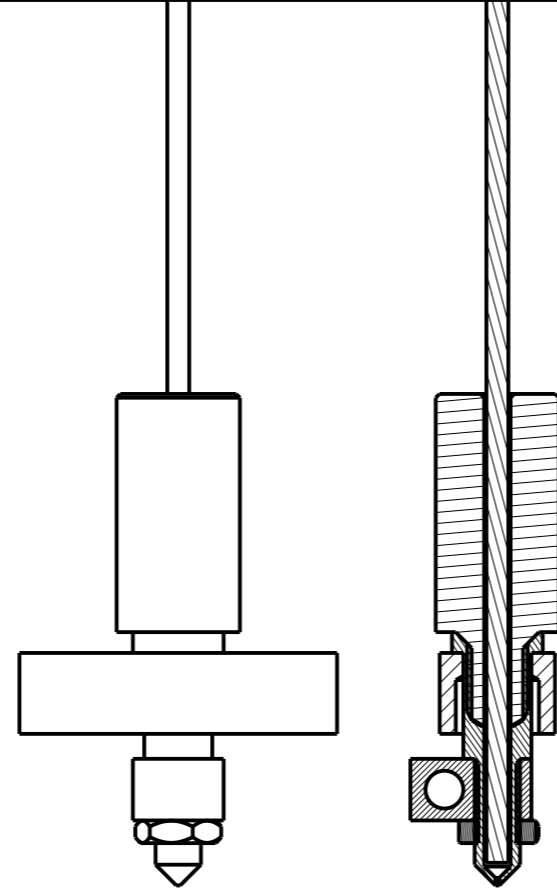
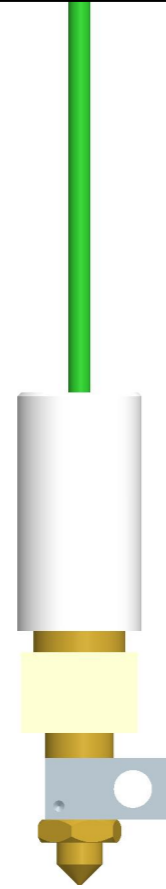
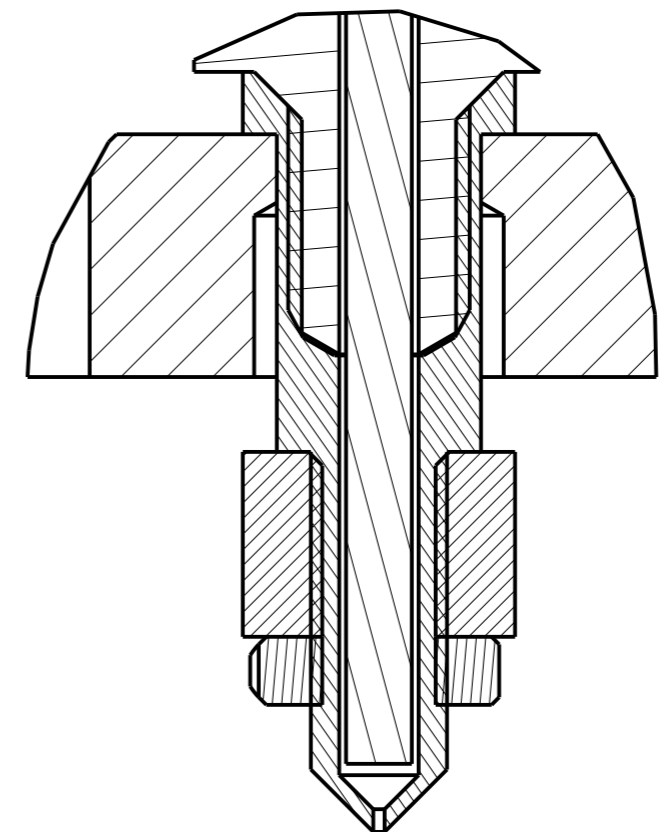


SECTION B-B

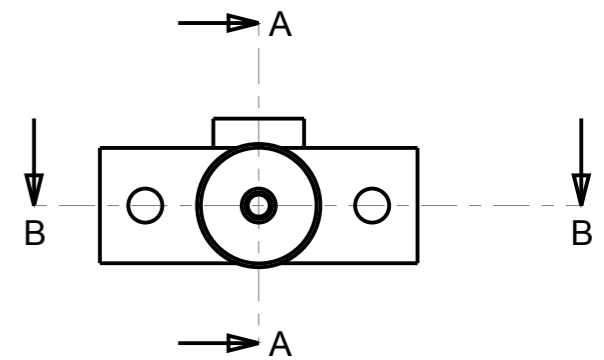
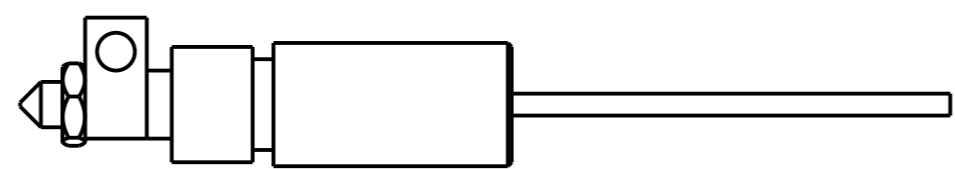
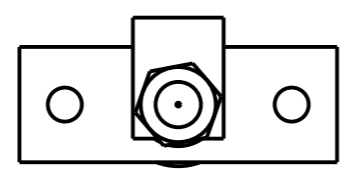
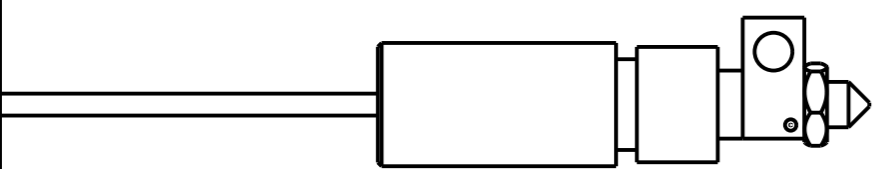
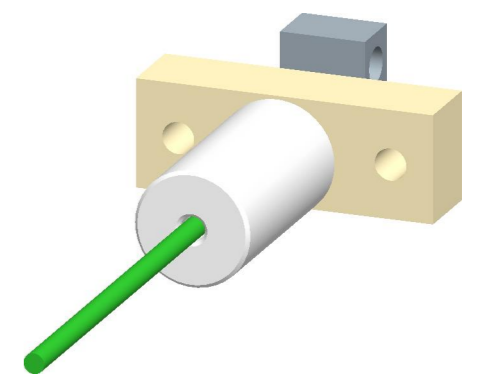
DETAIL A



SECTION A-A



DETAIL A
SCALE 3:1



Hotend v5

